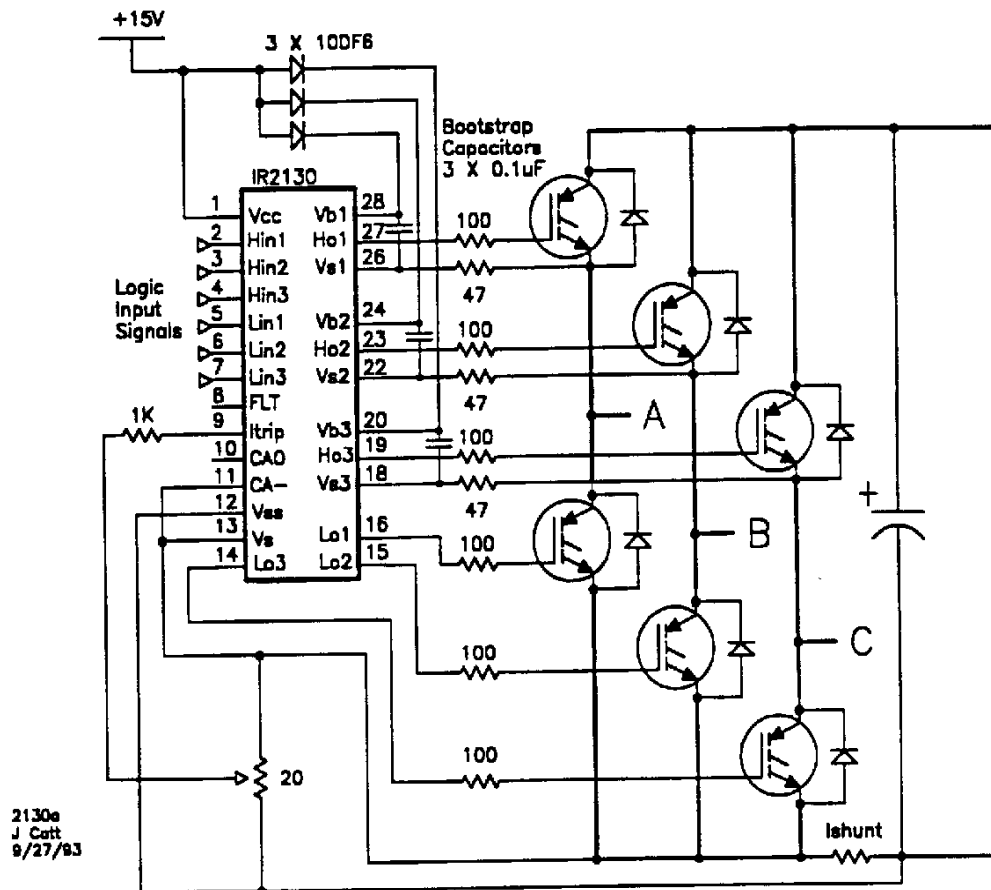


3-Phase Bridge Drive With Overcurrent Protection

by Jamie Catt



Features:

Single Chip Solution, Interfaces Directly to All Input Signal Levels, Built in Deadtime, Overcurrent Protection, 600 Volt Rating.

Benefits:

Simple Circuit Layout, Low Cost, Eliminates Cross-Conduction.

Further Details:

International Rectifier Application Note AN-985:
"The IR2130: A Six Output, High Voltage MOS Gate Driver".