

M3GB-SERIES

PD-97908D

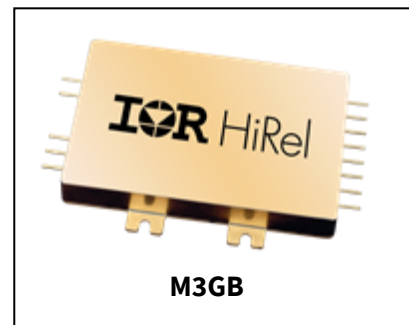
Hybrid – High Reliability Radiation Hardened DC-DC Converter 120V Input, Single and Dual Output

Features

- Total Dose > 200 kRads(Si)
typically usable to > 300 kRads(Si)
- SEE Hardened to LET up to 82 MeV·cm²/mg
- Low Input and Output Noise
- Low Weight < 100 grams
- Magnetically Coupled Feedback
- 95V to 140V DC Input Range
- Up to 40W Output Power
- Single and Dual Output Models
Include 3.3, 5, 12, 15, ±5, ±12 and ±15V
- High Efficiency - to 82%
- -55°C to +125°C Operating Temperature Range
- 100MΩ @ 500VDC Isolation
- Under-Voltage Lockout
- Short Circuit and Overload Protection
- Remote Sense on Single Output Models
- Adjustable Output Voltage for all Models
- Synchronization Input and Output
- External Inhibit
- > 5,000,000 hour MTBF

Product Summary

- **Part number:** M3GB12003R3S, M3GB12005S, M3GB12012S, M3GB12015S, M3GB12005D, M3GB12012D, M3GB12015D



Potential Applications

- Geostationary Earth Orbit Satellites (GEO)
- Deep Space Satellites / Probes

Product Validation

Validated according to MIL-PRF- 38534 for high-reliability applications

M3GB-SERIES

120V Input, Single and Dual Output

Orderable Part Numbers and DLA SMD Numbers

Orderable Part Numbers and DLA SMD Numbers

If a DLA SMD is available as listed in the table below, such model shall be ordered using the DLA SMD number. Otherwise the model shall be ordered using the part number nomenclature

Table 1 **Ordering Information**

Reference IR Base Model	Orderable Part Number	Lead finish	RHA
M3GB12003R3S/CKA	M3GB12003R3S/CKA	Solder Dipped	No
M3GB12003R3S/CKC	M3GB12003R3S/CKC	Gold Plated	No
M3GB12005S/CKA	5962-2121801KXA	Solder Dipped	No
M3GB12005S/CKC	5962-2121801KXC	Gold Plated	No
M3GB12005S/CKRA	5962R2121801KXA	Solder Dipped	Yes
M3GB12005S/CKRC	5962R2121801KXC	Gold Plated	Yes
M3GB12012S/CKA	5962-1920201KXA	Solder Dipped	No
M3GB12012S/CKC	5962-1920201KXC	Gold Plated	No
M3GB12012S/CKRA	5962R1920201KXA	Solder Dipped	Yes
M3GB12012S/CKRC	5962R1920201KXC	Gold Plated	Yes
M3GB12015S/CKA	M3GB12015S/CKA	Solder Dipped	No
M3GB12015S/CKC	M3GB12015S/CKC	Gold Plated	No
M3GB12005D/CKA	M3GB12005D/CKA	Solder Dipped	No
M3GB12005D/CKC	M3GB12005D/CKC	Gold Plated	No
M3GB12012D/CKA	M3GB12012D/CKA	Solder Dipped	No
M3GB12012D/CKC	M3GB12012D/CKA	Gold Plated	No
M3GB12015D/CKA	5962-1920301KXA	Solder Dipped	No
M3GB12015D/CKC	5962-1920301KXC	Gold Plated	No
M3GB12015D/CKRA	5962R1920301KXA	Solder Dipped	Yes
M3GB12015D/CKRC	5962R1920301KXC	Gold Plated	Yes

Description and Circuit Description

Description and Circuit Description**Description**

M3GB-Series is part of the International Rectifier HiRel family of products. The M3GB-Series of DC-DC converters are second generation design of the legacy M3G-Series product family but with enhanced overall performance. M3GB-Series is form, fit and functional equivalent to the first generation M3G-Series. It is designed to be backward compatible to the M3G-Series with the addition of an output voltage adjustment pin for the single output models. Much the same as the original M3G-Series, these converters are radiation hardened, high reliability converters designed for extended operation in hostile environments. Their small size and low weight make them ideal for applications such as geostationary earth orbit satellites and deep space probes. They exhibit a high tolerance to total ionizing dose, single event effects and environmental stresses such as temperature extremes, mechanical shock, and vibration

The converters incorporate a fixed frequency single ended forward topology with magnetic feedback and an internal EMI filter that utilizes multilayer ceramic capacitors that are subjected to extensive lot screening for optimum reliability. External inhibit and synchronization input and output allow these converters to be easily incorporated into larger power systems. They are enclosed in a hermetic 3" x 2" x 0.475" package constructed of an Aluminum/Silicon-Carbide (Al/SiC) base and an Alloy 48 ring frame and they weigh less than 100 grams. The package utilizes rugged ceramic feed-through copper core pins and is sealed using parallel seam welding.

Manufactured in a facility fully qualified to MIL-PRF-38534, these converters are fabricated utilizing DLA Land and Maritime qualified processes. For available screening options, refer to device screening table in the data sheet

Non-flight versions of the M3GB-Series converters are available for system development purposes. Variations in electrical specifications and screening to meet custom requirements can be accommodated

Circuit Description

The M3BG-Series converters utilize a single-ended forward topology with resonant reset. The nominal switching frequency is 500kHz. Electrical isolation and tight output regulation are achieved through the use of a magnetically coupled feedback. Voltage feed-forward with duty factor limiting provides high line rejection and protection against output over voltage in the event of an internal control loop failure. This mechanism limits the maximum output voltage to approximately 30% over the nominal regardless of the line voltage.

An internal EMI filter reduces the conducted emissions to less than 5mA rms on the input power leads. A two-stage output filter reduces the typical output ripple to less than 20mV peak-to-peak.

Output current is limited under any load fault condition to approximately 125% of rated. An overload condition causes the converter output to behave like a constant current source with the output voltage dropping below nominal. The converter will resume normal operation when the load current is reduced below the current limit point. This protects the converter from both overload and short circuit conditions.

An under-voltage lockout circuit prohibits the converter from operating when the line voltage is too low to maintain the output voltage. The converter will not start until the line voltage rises to approximately 85 volts and will shut down when the input voltage drops below 81 volts. The four volts of hysteresis reduces the possibility of line noise interfering with the converter's start-up and shut down.

An external inhibit port is provided to control converter operation. The nominal threshold relative to the input return (pin 2) is 1.4V. If 2.0 volts or greater are applied to the Inhibit pin (pin 3) then the converter will operate normally. A voltage of 0.8V or less will cause the converter to shut-down. The pin may be left open for normal operation and has a nominal open circuit voltage of 4.0V.

Circuit Description and Design Methodology

Circuit Description

Synchronization input and output allow multiple converters to operate at a common switching frequency. Converters can be synchronized to one another or to an externally provided clock. This can be used to eliminate beat frequency noise or to avoid creating noise at certain frequencies for sensitive systems.

Remote sense is provided on the single output models to compensate for voltage drops in the interconnects between the converter and the load. The output voltage of dual output models can be adjusted by a single external resistor.

Design Methodology

The M3GB-Series was developed using a proven conservative design methodology which includes selecting radiation tolerant and established reliability components and fully de-rating to the requirements of MIL-STD-1547 and MIL-STD-975 (except for the CDR type ceramic capacitors, where capacitors with 50V ratings may be used with voltage stresses of less than 10V). Careful sizing of decoupling capacitors and current limiting resistors minimizes the possibility of photo-current burn-out. Heavy de-rating of the radiation hardened power MOSFET virtually eliminates the possibility of SEGR and SEB. A magnetic feedback circuit is utilized instead of opto-couplers to minimize temperature, radiation and aging sensitivity. PSPICE and RadSPICE were used extensively to predict and optimize circuit performance for both beginning and end-of-life. Thorough design analyses include Radiation Susceptibility (TREE), Worst Case, Stress, Thermal, Failure Modes and Effects (FMEA) and Reliability (MTBF).

Table of contents**Table of contents**

Product Summary	1
Features	1
Potential Applications	1
Product Validation	1
Orderable Part Numbers and DLA SMD Numbers	2
Description and Circuit Description	3
Description	3
Circuit Description	3
Circuit Description and Design Methodology	4
Circuit Description	4
Design Methodology	4
Table of contents	5
1 Specification and Electrical Performance	6
1.1 Maximum and Operating Table	6
1.2 Electrical Performance Characteristics	6
2 Block Diagram	10
3 Radiation Performance table and Application Notes	11
3.1 Radiation Performance table.....	11
3.2 Application Notes.....	11
4 Mechanical Outlines	15
5 Pin Designation	16
5.1 Pin Designation (Single / Dual)	16
6 Devices Screening	17
Part Numbering	18
Revision history	19

1 Specification and Electrical Performance

1.1 Maximum and Operating Table

Table 2 Absolute Maximum Rating and Recommended Operating Conditions

Absolute Maximum Rating		Recommended Operating Conditions	
Input voltage	-0.5V _{DC} to +160V _{DC}	Input voltage	+95V _{DC} to +140V _{DC}
Output power	Internally limited	Input voltage ¹	+95V _{DC} to +140V _{DC}
Lead Temperature	+300°C for 10 seconds	Output power	0 to Max. Rated
Operating Temperature	-55°C to +135°C	Operating Temperature ²	-55°C to +125°C
Storage Temperature	-55°C to +135°C	Storage Temperature ¹	-55°C to +70°C

1.2 Electrical Performance Characteristics

Table 3 Electrical Characteristics

Parameter	Group A Subgroups	Conditions -55°C ≤ TC ≤ +85°C V _{IN} = 120V DC ± 5%, CL = 0 unless otherwise specified	Limits			Unit
			Min	Nom	Max	
Input voltage (V _{IN})			95	120	140	V
Output Voltage (V _{OUT})						
M3GB12003R3S	1	I _{OUT} = 100% rated load Note 4	3.29	3.31	3.33	V
M3GB12005S	1		4.99	5.01	5.03	
M3GB12012S	1		11.95	12.0	12.05	
M3GB12015S	1		14.94	15.0	15.06	
M3GB12005D	1		±4.99	±5.01	±5.03	
M3GB12012D	1		±11.95	±12.0	±12.05	
M3GB12015D	1		±14.94	±15.0	±15.06	
M3GB12003R3S	2,3		3.26		3.34	
M3GB12005S	2,3		4.95		5.05	
M3GB12012S	2,3		11.88		12.12	
M3GB12015S	2,3		14.85		15.15	
M3GB12005D	2,3		±4.95		±7.07	
M3GB12012D	2,3		±11.88		±12.12	
M3GB12015D	2,3		±14.85		±15.15	
Output power (P _{OUT})						
M3GB12003R3S	1,2,3	V _{IN} = 95, 120, 140 Volts, Note 2	0		30	W
All Others			0		40	

For Notes to Electrical Performance Characteristics, refer to page 9

¹ Meets de-rating per MIL-STD-975

² For operation at +125°C see table Note 13

M3GB-SERIES

120V Input, Single and Dual Output

Specification and Electrical Performance

Parameter	Group A Subgroups	Conditions -55°C ≤ TC ≤ +85°C V _{IN} = 120V DC ± 5%, CL = 0 unless otherwise specified	Limits			Unit
			Min	Nom	Max	
Output current (I _{OUT})						
M3GB12003R3S	1,2,3	V _{IN} = 95, 120, 140 Volts, Note 2	0		9.10	A
M3GB12005S			0		8.00	
M3GB12012S			0		3.34	
M3GB12015S			0		2.67	
M3GB12005D		Either Output, Note 3	0		6.40	
M3GB12012D		Either Output, Note 3	0		2.67	
M3GB12015D		Either Output, Note 3	0		2.14	
Line regulation (V _{RLINE})		V _{IN} = 95, 120, 140 Volts				mV
Single	1,2,3	I _{OUT} = 0, 50%, 100% rated, Note 4	-10		-10	
Dual			-20		-20	
Load regulation (V _{RLOAD})	1,2,3	I _{OUT} = 0, 50%, 100% rated, Note 4 V _{IN} = 95, 120, 140 Volts	-0.5		0.5	%
Cross regulation (V _{RCROSS})						%
M3GB12005D	1,2,3	Duals only, Note 5	-5.0		5.0	
M3GB12012D		V _{IN} = 95, 120, 140 Volts	-2.0		2.0	
M3GB12015D			-2.0		2.0	
Input current (I _{IN})	1,2,3	I _{OUT} = 0, Pin 3 open Pin 3 shorted to Pin 2		25 2.0	50 5.0	mA
Switching frequency (F _S)	1,2,3	Sync. Input (Pin 4) open	475	500	525	kHz
Output ripple (V _{RIP})						mV _{p-p}
M3GB12003R3S	1,2,3	I _{OUT} = 100% rated load Notes 4, 6		15	35	
M3GB12005S				20	50	
M3GB12012S				25	60	
M3GB12015S				25	80	
M3GB12005D				20	50	
M3GB12012D				30	60	
M3GB12015D				30	80	
Efficiency (E _{FF})						
M3GB12003R3S	1,2,3	I _{OUT} = 100% rated load Notes 4	70	75		
M3GB12005S			77	79		
M3GB12012S			78	81		
M3GB12015S			78	82		
M3GB12005D			77	80		
M3GB12012D			78	81		
M3GB12015D			79	82		

For Notes to Electrical Performance Characteristics, refer to page 9

Parameter	Group A Subgroups	Conditions -55°C ≤ TC ≤ +85°C V _{IN} = 120V DC ± 5%, CL = 0 unless otherwise specified	Limits			Unit
			Min	Nom	Max	
Enable/Inhibit Input open circuit voltage drive current (sink) voltage range		Note 1	3.0 -0.5		5.0 100 50	V μA V
Synchronization Input frequency range pulse high level pulse low level pulse transition time pulse duty cycle		Ext. Clock on Sync. Input (Pin 4), Note 1	450 4.0 -0.5 40 20		600 10 0.5 80	kHz V V V/μs %
Current Limit Point Expressed as a percentage of full rated load current	1,2,3	V _{OUT} = 90% of Nominal, Note 4	118	125	130	%
Power dissipation, load fault (P _D)	1,2,3	Short Circuit, Overload, Note 8		12	18	W
Output response to step load changes (V _{TLD})	4,5,6	Half Load to/from Full Load, Notes 4,9	-300		300	mVpk
Recovery time, step load changes (T _{TLD})	4,5,6	Half Load to/from Full Load, Notes 4,9,10		50	200	μs
Output response to step line changes (V _{TLN})		95V to/from 140V I _{OUT} = 100% rated load, Notes 1,4,11	-200		200	mVpk
Recovery time, step line changes (T _{TLN})		95V to/from 140V I _{OUT} = 100% rated load, Notes 1,4,10,11		50	200	μs
Under Voltage Threshold Release (On) (UVR) Lockout (OFF) (UVLO)	1,2,3		84.3 80.6		85.7 82.2	V
Turn-on Response Overshoot (V _{OS}) Turn-on Delay (T _{DLY})	4,5,6	No Load, Full Load Notes 4,12			2.0 5.0	% ms

For Notes to Electrical Performance Characteristics, refer to page 9

Parameter	Group A Subgroups	Conditions -55°C ≤ TC ≤ +85°C V _{IN} = 120V DC ± 5%, CL = 0 unless otherwise specified	Limits			Unit
			Min	Nom	Max	
Capacitive Load (C _L)		I _{OUT} = 100% rated load No effect on DC performance Notes 1,4,7 Each output on duals			2200	μF
M3GB12003R3S					1000	
M3GB12005S					180	
M3GB12012S					120	
M3GB12015S					500	
M3GB12005D					90	
M3GB12012D					60	
Line Rejection		I _{OUT} = 100% rated load DC to 50kHz, Notes 1, 4	40	60		dB
Isolation	1	Input to Output or Any Pin to Case except Pin 6, test @ 500VDC	100			MΩ
Device Weight					100	g
MTBF		MIL-HDBK-217F2, SF, 35°C	5.0 x 10 ⁶			Hrs

Notes: Electrical Performance Characteristics Table

- Parameter is guaranteed to the limits specified in table I by design, but not tested. Limits apply to the operating range specified in table I, unless otherwise specified. No Group A subgroups are specified for this test.
- Parameter verified during line and load regulation tests.
- Limit represents 80% of total rated output current. To achieve rated output power, the remaining 20% of the total rated output current must be provided by the other output.
- Load current split equally between outputs on dual output models.
- Cross regulation is measured with 20% rated load on output under test while changing the load on the other output from 20% to 80% of rated.
- Guaranteed for a D.C. to 20MHz bandwidth. Tested using a 20kHz to 10MHz bandwidth.
- Capacitive load may be any value from 0 to the maximum limit without compromising dc performance. A capacitive load in excess of the maximum limit may interfere with the proper operation of the converter's overload protection, causing erratic behavior during turn-on.
- Overload power dissipation is defined as the device power dissipation with the load set such that V_{OUT} = 90% of nominal.
- Load step transition time ≥10 μs.
- Recovery time is measured from the initiation of the transient to where V_{OUT} has returned to within ± 1% of its steady state value.
- Line step transition time ≥100 μs.
- Turn-on delay time from either a step application of input power or a logic low to a logic high transition on the inhibit pin (pin 3) to the point where V_{OUT} = 90% of nominal.
- Although operation at temperatures between +85°C and +125°C is guaranteed, no parametric limits are specified.

M3GB-SERIES

120V Input, Single and Dual Output

Block Diagram

2 Block Diagram

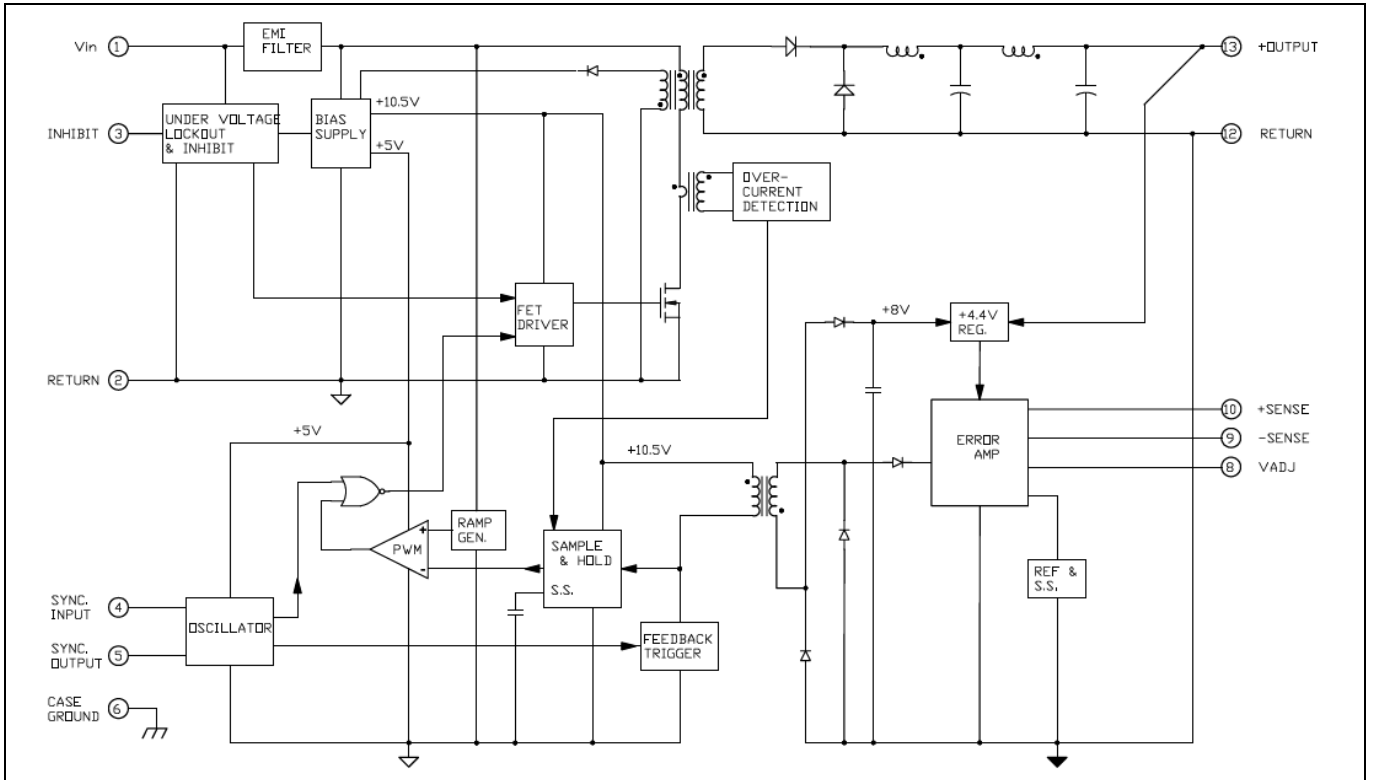


Figure 1 Block Diagram - Single Output

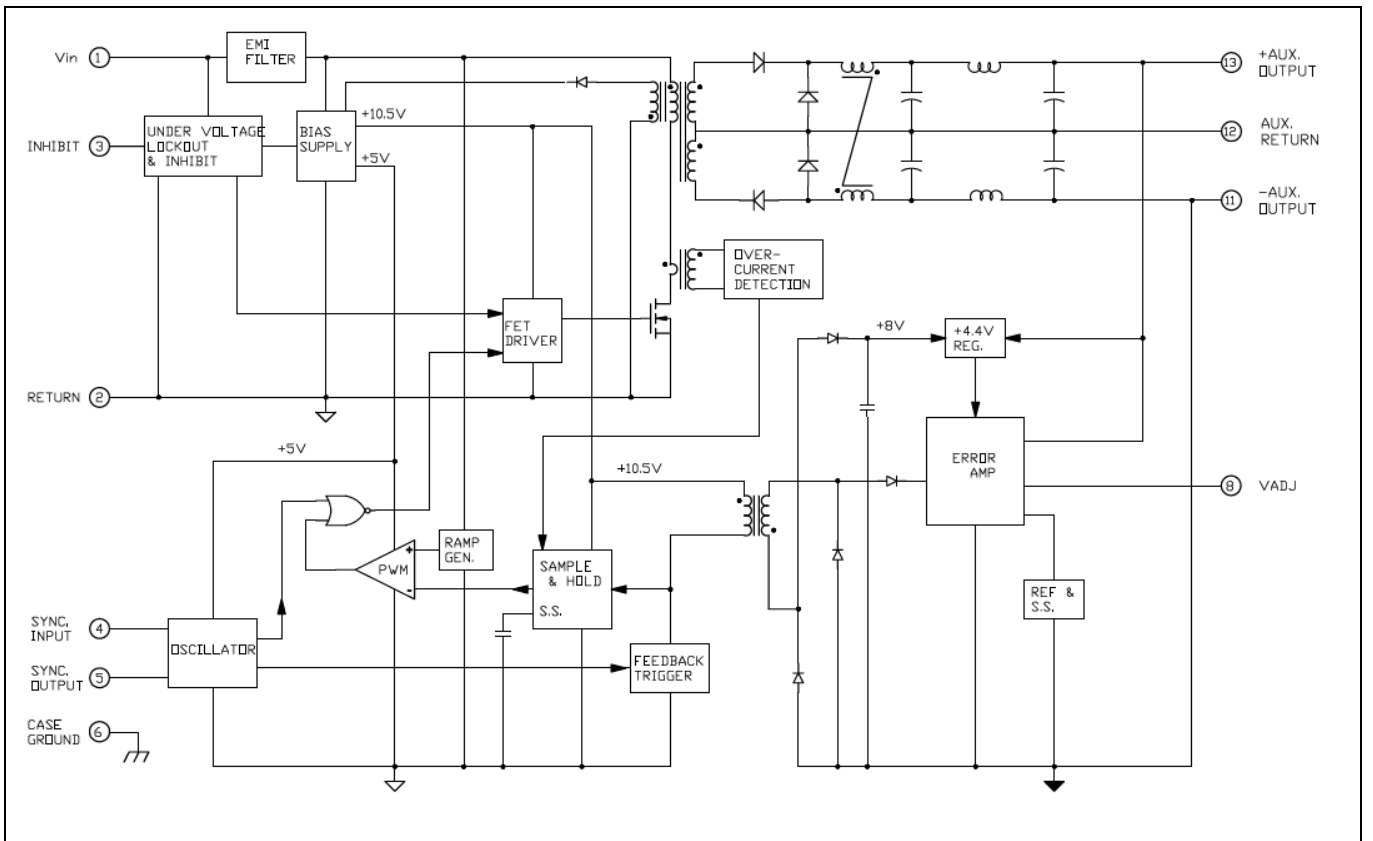


Figure 2 Block Diagram - Single Output

3 Radiation Performance table and Application Notes

3.1 Radiation Performance table

Table 4 Radiation Performance Characteristics

Test	Conditions	Min	Typ	Unit
Total Ionizing Dose (Gamma)	MIL-STD-883, Method 1019 Operating bias applied during exposure, Full Rated Load, $V_{IN} = 120V$	200	300	kRads (Si)
Dose Rate (Gamma Dot) Temporary Saturation Survival	MIL-STD-883 Method 1023 (or MIL-STD-883 Method 1020) Operating bias applied during exposure, Full Rated Load, $V_{IN} = 120V$	1E8 4E10	1E11	Rads (Si)/sec
Neutron Fluence	MIL-STD-883, Method 1017	8E12	1E13	Neutrons/cm ²
Single Event Effects SEU, SEL, SEGR, SEB	Heavy ions (LET) Operating bias applied during exposure, Full Rated Load, $V_{IN} = 95, 120, 140V$	82		MeV·cm ² /mg

3.2 Application Notes

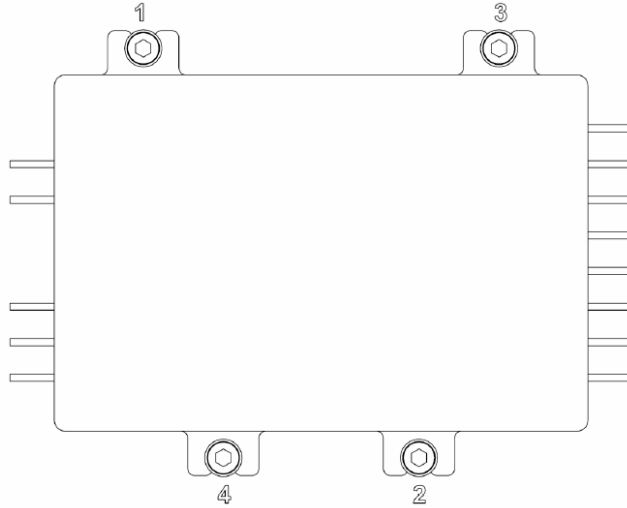
A) Attachment of the Converter:

The following procedure is recommended for mounting the converter for optimum cooling and to circumvent any potential damage to the converter.

Ensure that flatness of the plate where M3GB converter to be mounted is no greater than 0.003” per linear inch. It is recommended that a thermally conductive gasket is used to promote the thermal transfer and to fill any voids existing between the two surfaces. IR HiRel recommends Sil-Pad 2000 with the thickness of 0.010". The shape of the gasket should match the footprint of the converter including the mounting flanges. The gasket is available from IR HiRel. The M3GB-Series converter requires either M3 or 4-40 size screws of attachment purposes.

The procedure for mounting the converter is as follows:

1. Check the mounting surfaces and remove foreign material, burrs if any or anything that may interfere with the attachment of the converter.
2. Place the gasket on the surface reserved for the converter and line it up with the mounting holes.
3. Place the converter on the gasket and line both up with mounting holes.
4. Install screws using appropriate washers and tighten by hand (~ 4 in·oz) in the sequence shown below.



5. Tighten the screws with an appropriate torque driver. Torque the screws up to 6 in·lb in the sequence shown above

B) Output Voltage Adjustment

Single Output:

To adjust the output voltage of the single output models, a resistor (R_{ADJ}) is connected between the Adjust pin (Pin 8) and either the positive or negative remote sense pins, depending on whether the output voltage is to be adjusted higher or lower than the nominal set-point. This allows the outputs to be reliably adjusted by approximately +10% to -20% of the nominal output voltage. Refer to Fig. 3 and use equations provided to calculate the required resistance (R_{ADJ}).

Note: The output voltage adjust equation does not work as described for the 3.3V Single model. The adjust range for 3.3V model is limited to 3.252V to 3.460V.

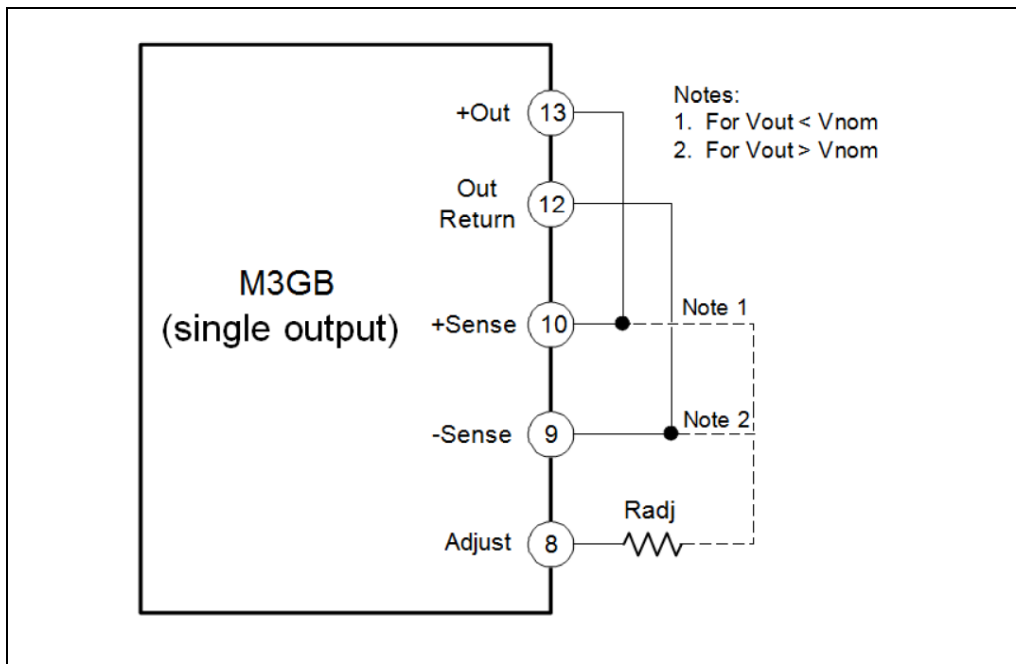


Figure 3 Configuration for Adjusting Single Output Voltage

M3GB-SERIES

120V Input, Single and Dual Output

Radiation Performance table and Application Notes

For all **Single Output Models**, to adjust the output voltages higher:

$$R_{ADJ} = \frac{10 \times (V_{NOM} - 2.5)}{V_{OUT} - V_{NOM}} - 50$$

Where: R_{ADJ} is in kOhms

R_{ADJ} is connected to the -Out pin and $V_{NOM} < V_{OUT} < 1.1V_{NOM}$ (Fig. 3, Note 2)

V_{NOM} is the nominal output voltage with the Adjust Pin left open

V_{OUT} is the desired output voltage

For all **Single Output Models**, to adjust the output voltages lower:

$$R_{ADJ} = \frac{4 \times (V_{NOM} - 2.5) \times (V_{OUT} - 2.5)}{V_{NOM} - V_{OUT}} - 50$$

Where: R_{ADJ} is in kOhms

R_{ADJ} is connected to the +Out pin and $0.8V_{NOM} < V_{OUT} < V_{NOM}$ (Fig.3, Note 1)

V_{NOM} is the nominal output voltage with the Adjust Pin left open

V_{OUT} is the desired output voltage

Dual Output:

The dual output voltage of the dual output models, a resistor (R_{ADJ}) is connected between the Adjust pin (Pin 8) and either output. This allows the outputs to be reliably adjusted by approximately +10% to -20% of the nominal output voltage. Refer to Fig. 4 and use equations provided to calculate the required resistance (R_{ADJ}).

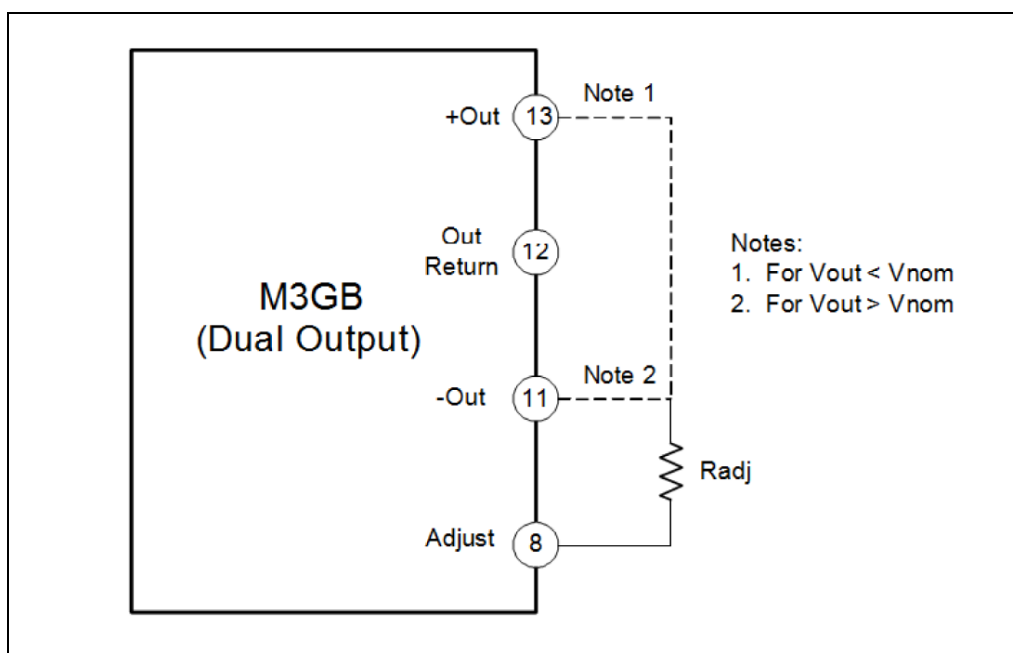


Figure 4 Configuration for Adjusting Dual Output Voltage

M3GB-SERIES

120V Input, Single and Dual Output

Radiation Performance table and Application Notes

For all **Dual Output Models**, to adjust the output voltages higher:

$$R_{ADJ} = \frac{10 \times (V_{NOM} - 1.25)}{V_{OUT} - V_{NOM}} - 75$$

Where: R_{ADJ} is in kOhms

R_{ADJ} is connected to the -Out pin and $V_{NOM} < V_{OUT} < 1.1V_{NOM}$ (Fig. 4, Note 2)

V_{NOM} is the nominal magnitude of the output voltages with the Adjust pin left open

V_{OUT} is the desired magnitude of the output voltages

For all **Dual Output Models**, to adjust the output voltages lower:

$$R_{ADJ} = \frac{8 \times (V_{NOM} - 1.25) \times (V_{OUT} - 1.25)}{V_{NOM} - V_{OUT}} - 75$$

Where: R_{ADJ} is in kOhms

R_{ADJ} is connected to the +Out pin and $0.8V_{NOM} < V_{OUT} < V_{NOM}$ (Fig. 4, Note 1)

V_{NOM} is the nominal magnitude of the output voltages with the Adjust pin left open

V_{OUT} is the desired magnitude of the output voltages

M3GB-SERIES

120V Input, Single and Dual Output

Mechanical Outlines

4 Mechanical Outlines

Note: For the most updated package outline, please see the website: [M3GB-SERIES](#)

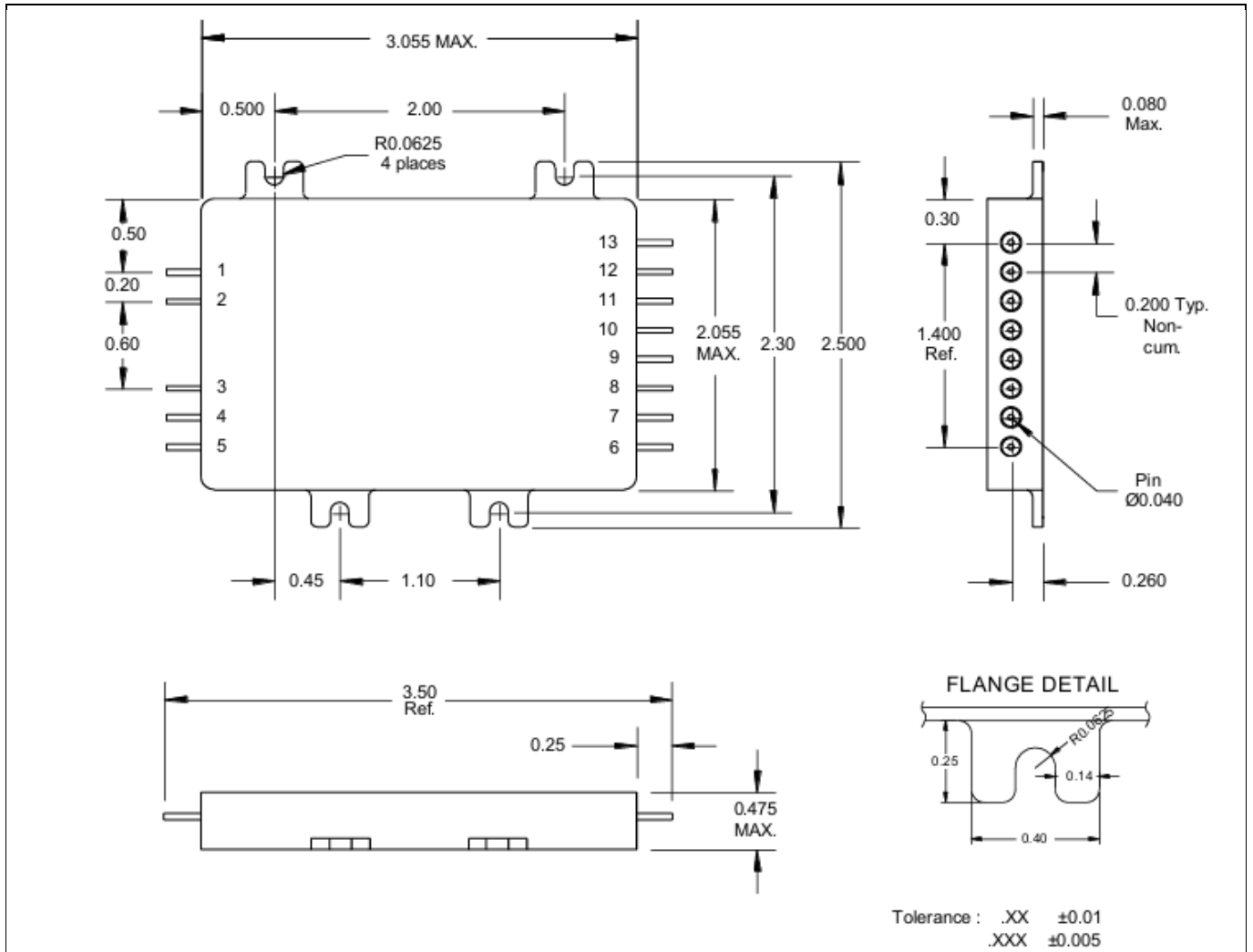


Figure 5 Package outline

Pin Designation**5 Pin Designation****5.1 Pin Designation (Single / Dual)****Table 5 Designation**

Pin Number	Designation
1	VIN
2	INPUT RETURN
3	INHIBIT
4	SYNC. INPUT
5	SYNC. OUTPUT
6	CASE GROUND
7	NC
8	VADJ
9	-SENSE / NC
10	+SENSE / NC
11	NC / -OUTPUT
12	OUTPUT RETURN
13	+OUTPUT

6 Devices Screening

Part Number Designator		/EM ^①	/CK ^②	5962-xxxxxxxKyy ^③	5962-RxxxxxxxKyy ^④
Compliance Level	MIL-PRF-38534	—	K level compliant	Class K SMD	Class K RHA SMD
Certification Mark		—	CK	QML	QML
Screening Requirement	MIL-STD-883 Method	—	—	—	—
Temperature Range	—	Room Temperature	-55°C to +85°C	-55°C to +85°C	-55°C to +85°C
Element Evaluation	MIL-PRF-38534	N/A	Class K	Class K	Class K ^⑤
Non-Destructive Bond Pull	2023	N/A	Yes	Yes	Yes
Internal Visual	2017	IR Defined	Yes	Yes	Yes
Temperature Cycle	1010	N/A	Cond C	Cond C	Cond C
Constant Acceleration	2001, Y1 Axis	N/A	3000 Gs	3000 Gs	3000 Gs
PIND	2020	N/A	Cond A	Cond A	Cond A
Burn-In	1015	N/A	320 hrs @ 125°C (2 x 160 hrs)	320 hrs @ 125°C (2 x 160 hrs)	320 hrs @ 125°C (2 x 160 hrs)
Final Electrical (Group A)	MIL-PRF-38534 & Specification	Room Temperature	-55°C, +25°C, +85°C	-55°C, +25°C, +85°C	-55°C, +25°C, +85°C
PDA	MIL-PRF-38534	N/A	2%	2%	2%
Seal, Fine and Gross	1014	N/A	Cond CH	Cond CH	Cond CH
Radiographic	2012	N/A	Yes	Yes	Yes
External Visual	2009	IR Defined	Yes	Yes	Yes

Notes:

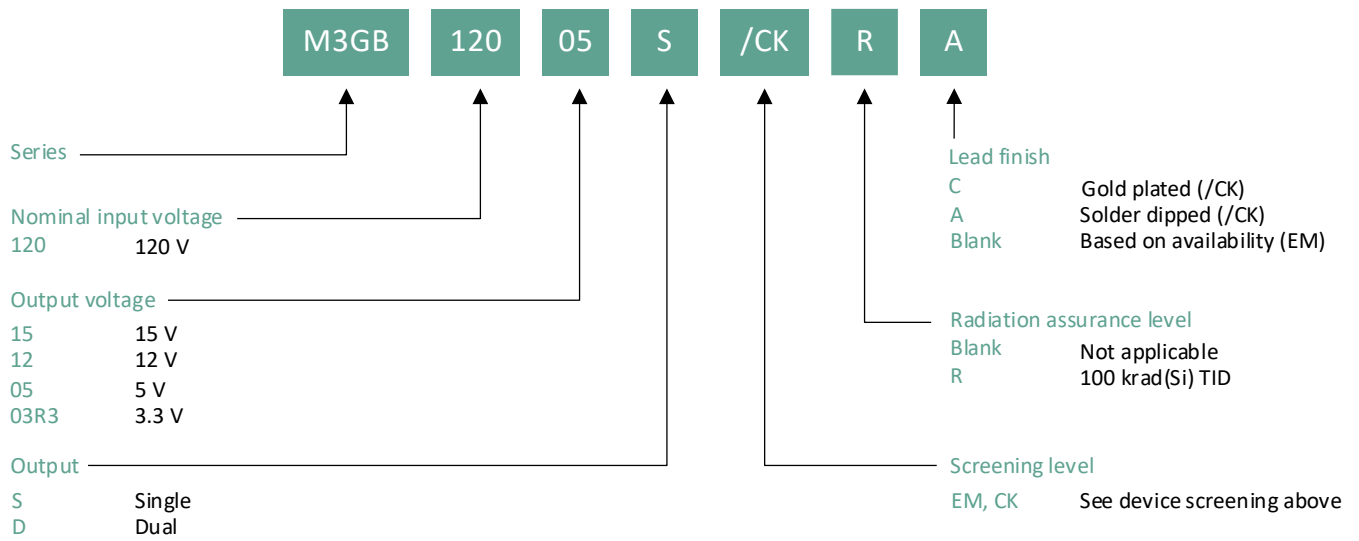
- ① **EM" grade** shall only be form, fit and function equivalent to its Flight Model (FM) counterpart for electrical evaluation, and it may not meet the radiation performance. The EM Model shall not be expected to comply with MIL-PRF-38534 flight quality/workmanship standards, and configuration control. An EM build may use electrical equivalent commercial grade components
- ② **"CK" grade** is the flight model (FM) compliant to K Level screening as defined in the DLA Land and Maritime MIL-PRF-38534 requirements, but is not necessarily a DLA Land and Maritime qualified SMD per MIL-PRF-38534. The governing document for this part number designator is the IR HiRel datasheet (this document). Radiation rating as stated in the "Radiation Performance Characteristics" section, is verified by analysis and test per IR HiRel internal procedure. The part is marked with the IR base part number and the "CK" certification mark.
- ③ **"Class K SMD" grade** has a DLA qualified SMD per DLA MIL-PRF-38534 Class K which is the governing document for this part. The part is marked with the IR base part number, the SMD part number and the "QML" certification mark.
- ④ **"Class K RHA SMD" grade** has a DLA qualified SMD per MIL-PRF-38534 Class K with a RHA Level Designator per MIL-PRF-38534 and the governing document of this part is the DLA SMD. The part is marked with the IR base part number, the SMD part number and the "QML" certification mark.
- ⑤ **"Class K RHA SMD" Element Evaluation** is screened to Class K requirements with additional Radiation Lot Acceptance Testing (RLAT) screening per the DLA MILPRF-38534 approved RHA Test Plan.

M3GB-SERIES

120V Input, Single and Dual Output

Part Numbering

Part Numbering



Revision history**Revision history**

Document version	Date of release	Description of changes
	08/09/2018	Datasheet (PD-97908)
Rev A	11/11/2019	Updated based on ECO-1110_29564
Rev B	05/13/2020	Updated based on ECO-1110_29731
Rev C	05/29/2020	Updated based on ECO-1110_29748
Rev D	05/09/2022	Updated based on ECO-1110_30779

Trademarks

All referenced product or service names and trademarks are the property of their respective owners.

Edition 2022-05-09

Published by

**International Rectifier HiRel Products,
Inc.**

**An Infineon Technologies company
El Segundo, California 90245 USA**

**© 2022 Infineon Technologies AG.
All Rights Reserved.**

**Do you have a question about this
document?**

Email: erratum@infineon.com

Document reference

IMPORTANT NOTICE

The information given in this document shall in no event be regarded as a guarantee of conditions or characteristics ("Beschaffheitsgarantie").

With respect to any examples, hints or any typical values stated herein and/or any information regarding the application of the product, Infineon Technologies hereby disclaims any and all warranties and liabilities of any kind, including without limitation warranties of non-infringement of intellectual property rights of any third party.

In addition, any information given in this document is subject to customer's compliance with its obligations stated in this document and any applicable legal requirements, norms and standards concerning customer's products and any use of the product of Infineon Technologies in customer's applications.

The data contained in this document is exclusively intended for technically trained staff. It is the responsibility of customer's technical departments to evaluate the suitability of the product for the intended application and the completeness of the product information given in this document with respect to such application.

For further information on the product, technology, delivery terms and conditions and prices please contact your nearest Infineon Technologies office (www.infineon.com).

WARNINGS

Due to technical requirements components may contain dangerous substances. For information on the types in question please contact your nearest International Rectifier HiRel Products, Inc., or Infineon Technologies company, office.

International Rectifier HiRel Components may only be used in life-support devices or systems with the expressed written approval of International Rectifier HiRel Products, Inc., an Infineon Technologies company, if failure of such components can reasonably be expected to cause the failure of that life-support device or system, or to affect the safety and effectiveness of that device or system.

Infineon Technologies' products may not be used in any applications where a failure of the product or any consequences of the use thereof can reasonably be expected to result in personal injury.

Life support devices or systems are intended to be implanted in the human body, or to support and/or maintain and sustain and/or protect human life. If they fail, it is reasonable to assume that the health of the user or other persons may be endangered.