

The

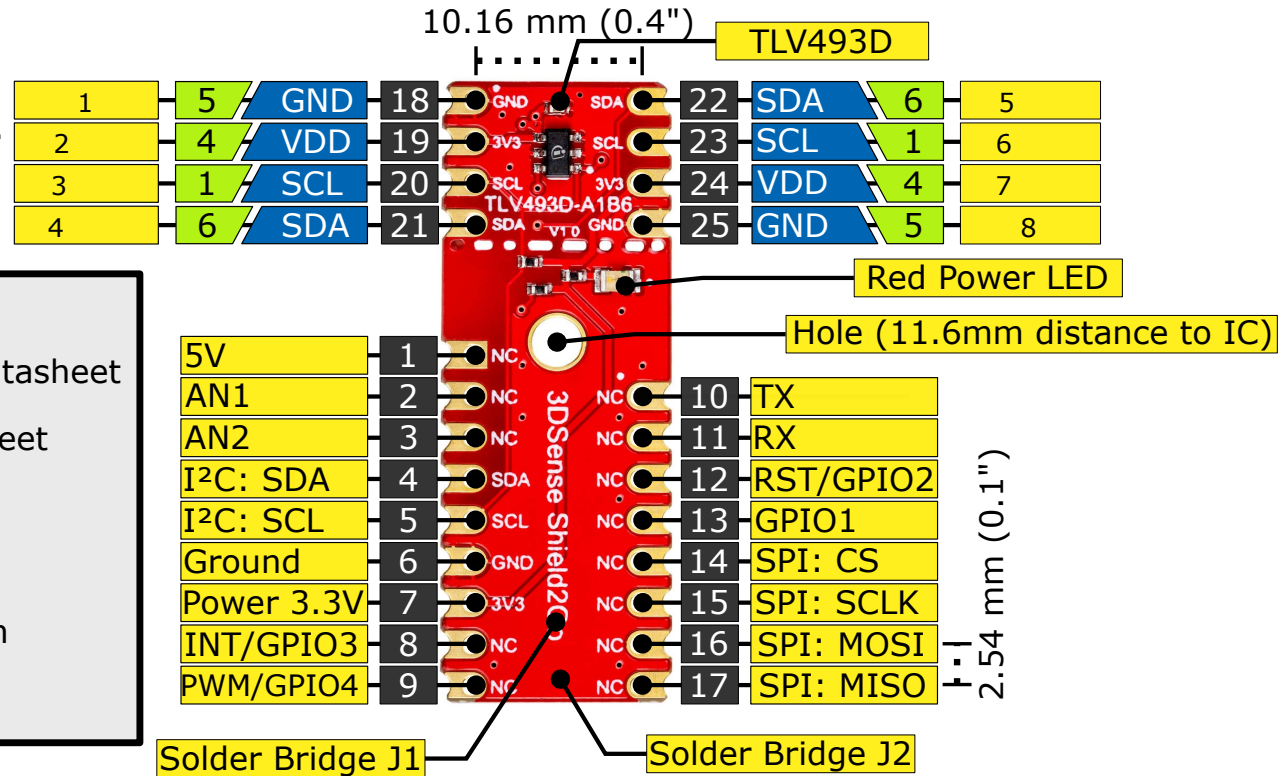
# Template Shield2Go



**i** Ground pins on board connected with each other.

## Legend

	Information
	Labelling of Pins in Datasheet
	Pin Number in Datasheet
	Physical Pin Number
	Warning
	Additional Information
	Not Connected



**!** The maximum voltage on any pin is 4 V.

**i** I2C 1.2kΩ pull-up resistors on SDA and SCL line are already integrated.