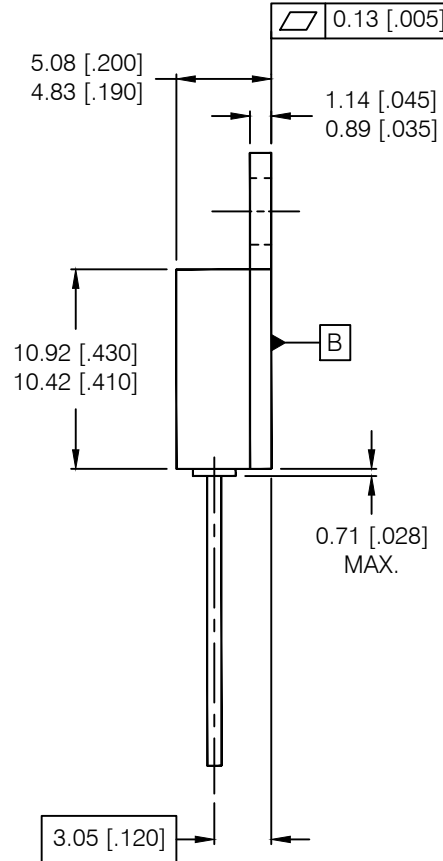
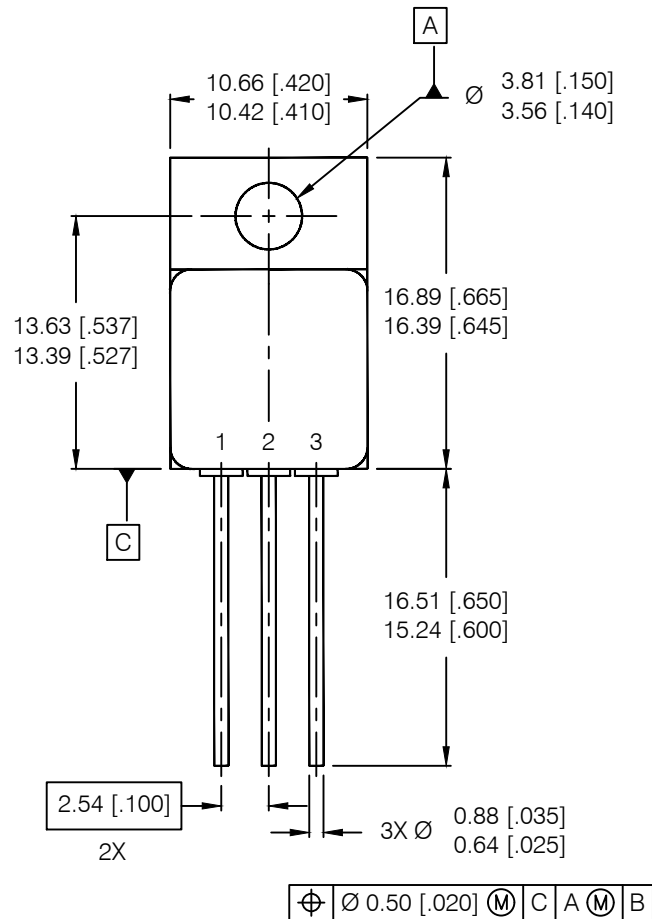


REV.	DESCRIPTION	ECN	DATE
B	INITIAL RELEASE	1120_ER6904	4-2-20



NOTES:

1. DIMENSIONING & TOLERANCING PER ANSI Y14.5M-1994.
2. CONTROLLING DIMENSION: INCH.
3. DIMENSIONS ARE SHOWN IN MILLIMETERS [INCHES].
4. OUTLINE CONFORMS TO JEDEC OUTLINE TO-257AA.
5. STANDARD FINAL FINISH ON ALL TERMINALS IS SOLDER ALLOY 63%Sn 37%Pb.

**IOR** HiRel  
An Infineon Technologies Company

TITLE: TO-257AA PACKAGE  
OUTLINE (STD & LOW OHMIC)

DRAWING NO.  
D100723G-WEB

REV B