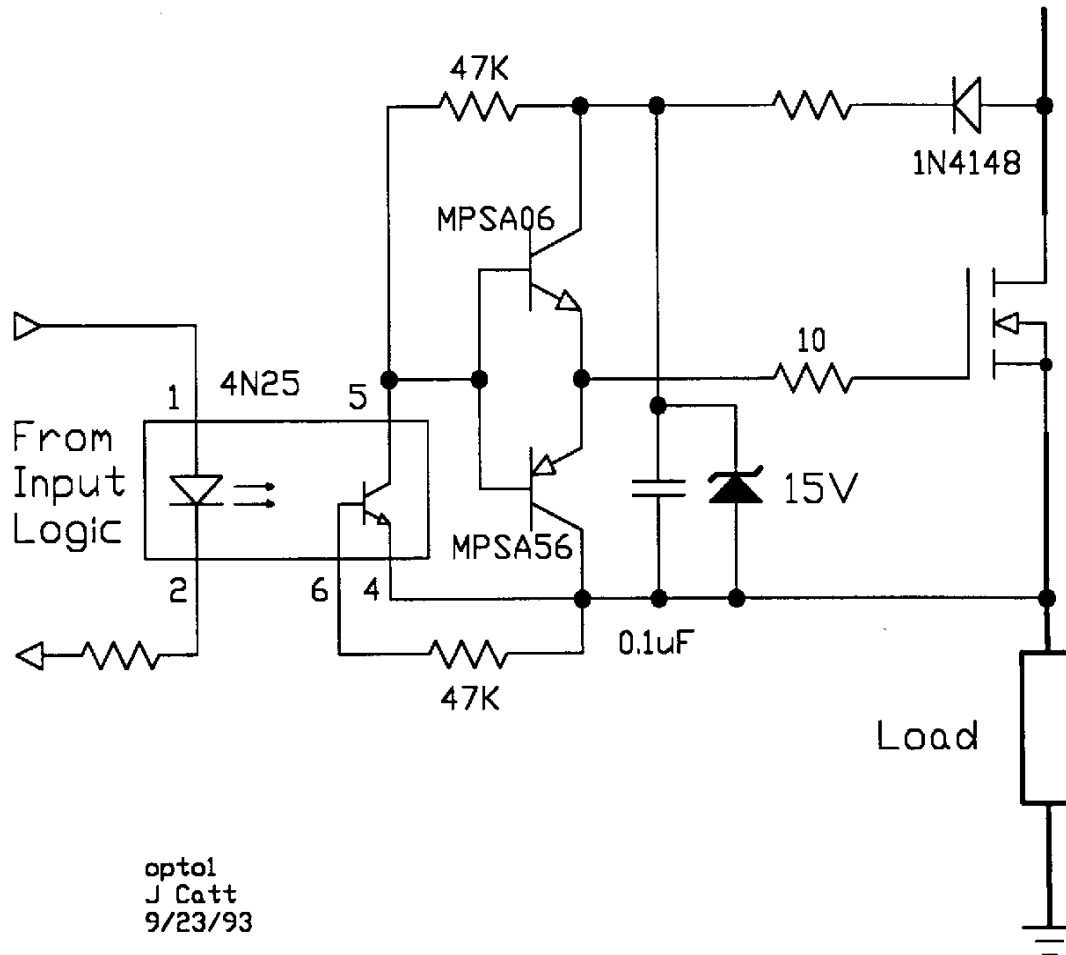


Optically Isolated Gate Drive Circuit

by Jamie Catt



Features:

High Side Drive, Supply Derived from Drain of MOSFET, Galvanic Isolation, Low Cost.

Benefits:

Drives N-Channel FET on High Side of Load, No Floating Power Supply Required.

Further Details:

International Rectifier Application Note AN-937A:
 "Gate Drive Characteristics and Requirements for HEXFET® Power MOSFETs".