

## ***IRMCK203 Design Solutions***

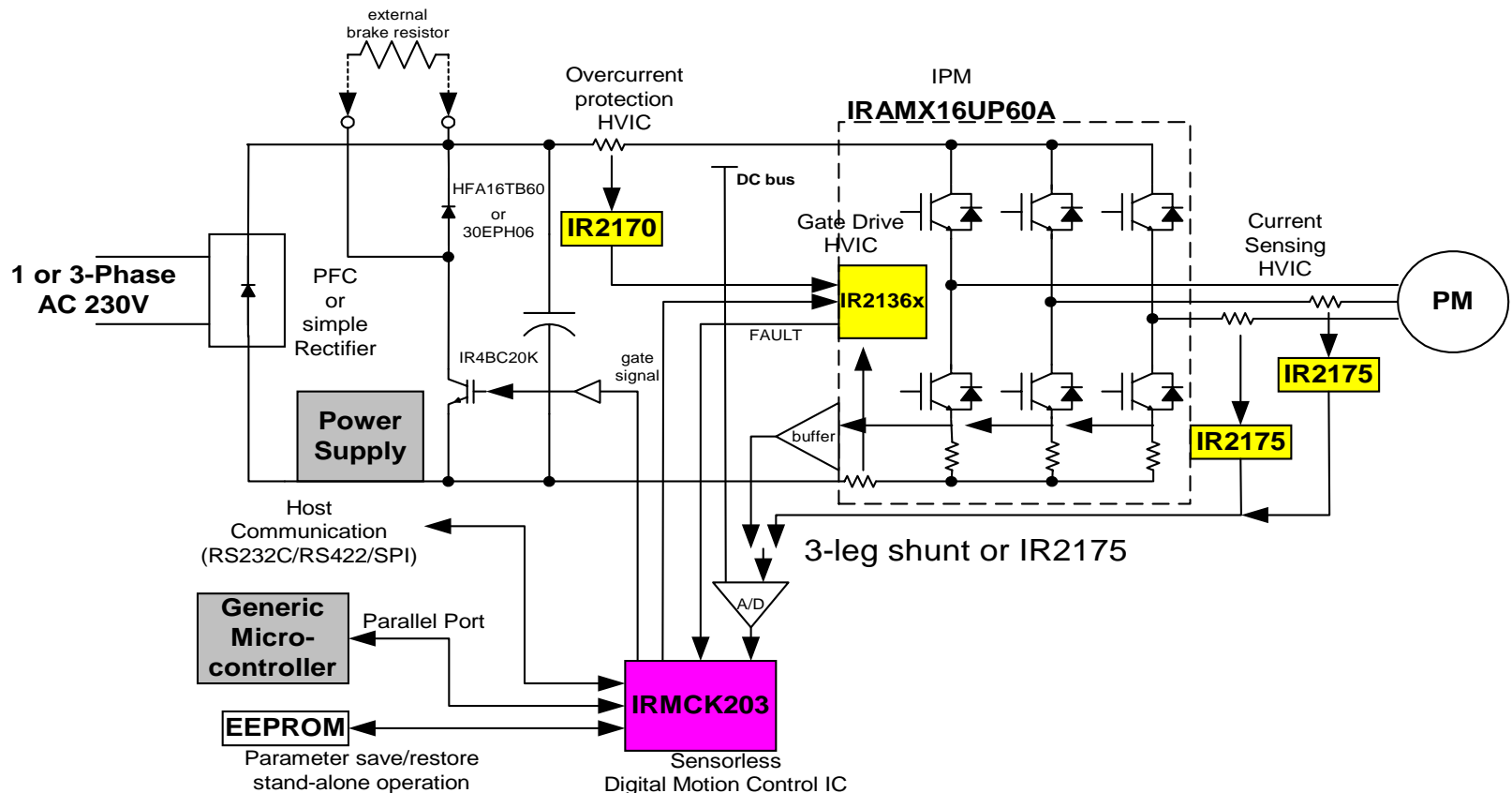
### **Application:**

- 1.1 230V AC system implementation for Sensorless Permanent Magnet Motor Control**
- 1.2 380/460V AC system implementation for Sensorless Permanent Magnet Motor Control**
- 1.3 24-60V DC system implementation for Sensorless Permanent Magnet Motor Control**

# IRMCK203 Solution – 230V AC system



**Application: Sensorless Permanent magnet motor control**  
**High speed spindle, pumps, Sewing machine**  
**Customers: pump manufacturers, OEM sewing machine manufacturers**



# IRMCK203 Solution – 380/460V AC system



**Application: Sensorless Permanent magnet motor control**  
**High speed spindle, pumps**  
**Customers: pump manufacturers, Drive manufacturers**

