

PRODUCT CHANGE NOTICE

| | | |
|--|---|---|
| 1. TITLE Case Outline, TO-205, Standardization | | 2. DOCUMENT NUMBER FV5-C-18-0017A |
| | | 3. DATE January 3, 2018 |
| 4. MANUFACTURER AND ADDRESS International Rectifier HiRel Products, Inc 205 Crawford Street Leominster, MA 01453 | | 5. MANUFACTURER PART NUMBER See below for IR Part Numbers |
| | | 6. BASE PART NA |
| | | 7. NATIONAL STOCK NUMBER (NSN) NA |
| 8. CAGE 69210 | 9. EFFECTIVE DATE December 17, 2017 | 10. GOVERNMENT NUMBER NA |
| 11. POINT OF CONTACT Manufacturer's Representative or Account Specialist (978) 534-5776 | | 12. DRAWING NUMBER NA |
| | | 13. SPECIFICATION NUMBER MIL-PRF-19500 |

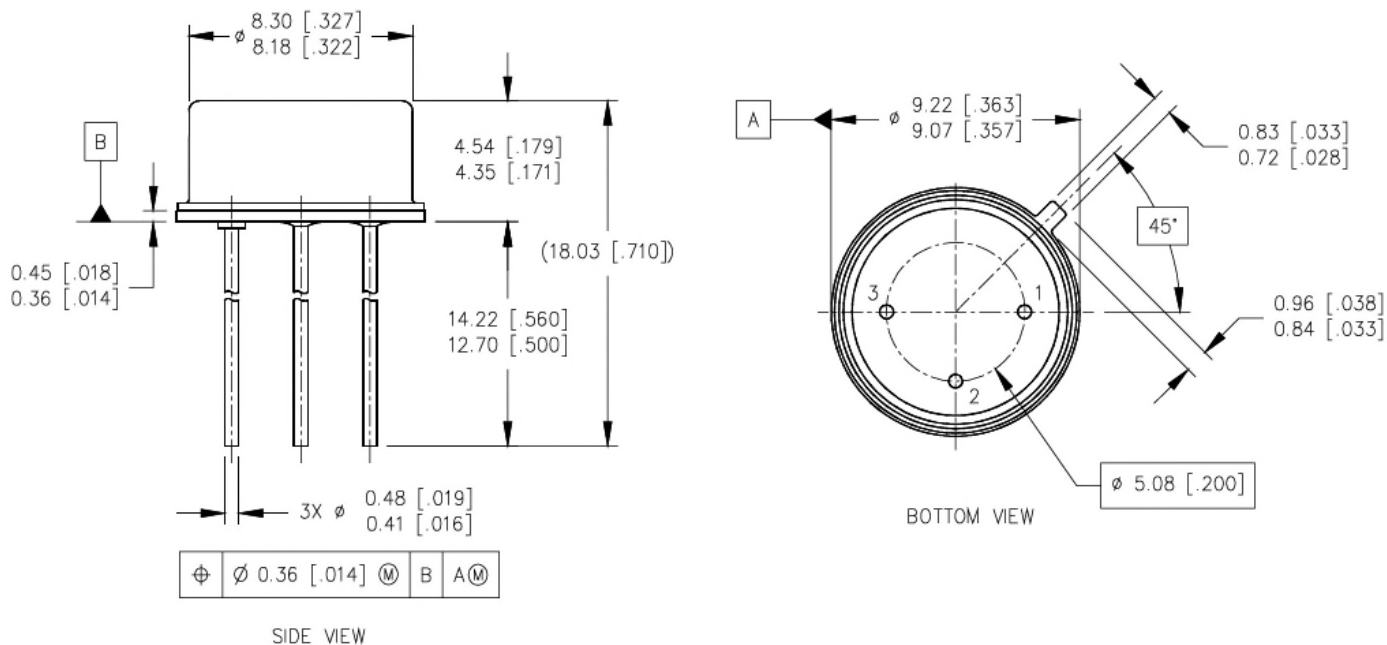
14. PRODUCT CHANGE

This amendment has been issued to correct the part number information in block 5. This amendment is complete.

This GIDEP PCN is to announce changes with the TO-205 (TO-39) case outline exhibited in datasheets. Note that this change is related to part case outline standardization only, and not due to a physical change in the TO-39 package. The International Rectifier Part No listed herein are included in this update.

From:

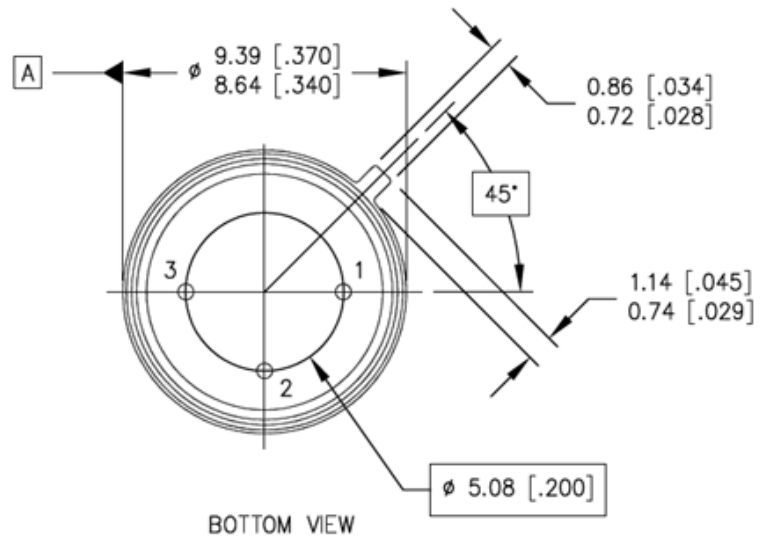
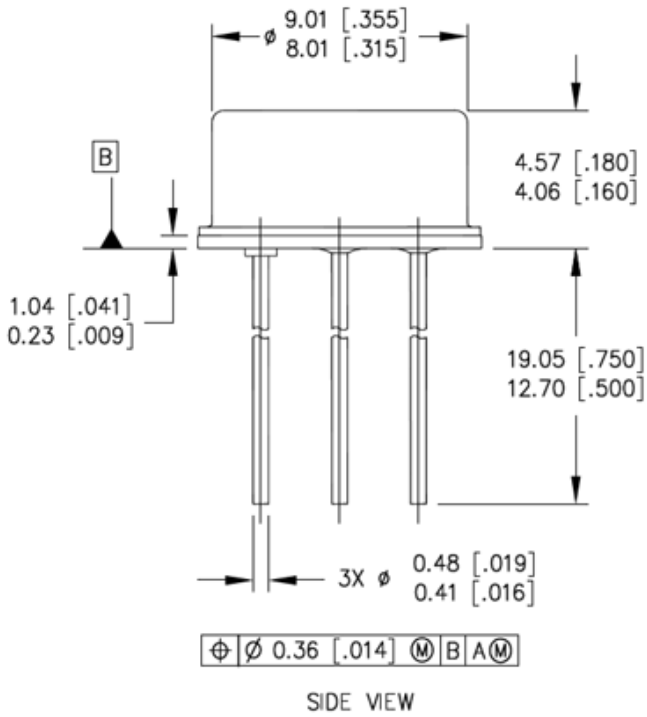
Case Outline and Dimensions — TO-205AF (Modified TO-39)



| | | |
|--|-------------------|--------------------------------------|
| 17. GIDEP REPRESENTATIVE Paul Hebert | 18. SIGNATURE | 19. DATE December 17, 2017 |
|--|-------------------|--------------------------------------|

To:

Case Outline and Dimensions — TO-205AF (Modified TO-39)



5. MANUFACTURER PART NUMBER (cont.)

FV5-C-18-0017

| Base Product | JAN Part Number Ref. | Datasheet # |
|--------------|----------------------|-------------|
| IRHF7330SE | JANSR2N7463T2 | PD-91864B |
| IRHF7430SE | JANSR2N7464T2 | PD-91863E |
| IRHF57Z30 | JANSR2N7491T2 | PD-93793E |
| IRHF57130 | JANSR2N7493T2 | PD-93789F |
| IRHF57034 | JANSR2N7492T2 | PD-93791D |
| IRHF57230SE | JANSR2N7498T2 | PD-93857C |
| IRHF57234SE | JANSR2N7499T2 | PD-93831B |
| IRHF57133SE | JANSR2N7497T2 | PD-94334B |
| IRHLF77110 | JANSR2N7608T2 | PD-97062C |
| IRHLF77214 | JANSR2N7610T2 | PD-97253B |
| IRHLF770Z4 | JANSR2N7621T2 | PD-94695F |
| IRHLF7970Z4 | JANSR2N7631T2 | PD-94685E |
| IRHF7110 | - | PD-90671D |
| IRHF7130 | - | PD-90653F |
| IRHF7230 | JANSR2N7262 | PD-90672E |
| IRHF9130 | JANSR2N7389 | PD-90882 |
| IRHF9230 | JANSR2N7390 | PD-91312E |
| IRHF57214SE | - | PD-97063A |
| IRHF58230 | - | PD-93788A |
| IRHF597110 | - | PD-94176D |
| IRHF597130 | - | PD-96963A |
| IRHF597230 | - | PD-94550A |
| IRHF67230 | - | PD-97311A |
| IRHF67234 | - | PD-97847 |
| IRHF657230 | - | PD-97856 |
| IRFF120 | JANTX2N6788 | PD-90426D |
| IRFF110 | JANTX2N6782 | PD-90423C |
| IRFF210 | JANTX2N6784 | PD-90424D |
| IRFF310 | JANTX2N6786 | PD-90425D |
| IRFF220 | JANTX2N6790 | PD-90427D |
| IRFF320 | JANTX2N6792 | PD-90428D |
| IRFF420 | JANTX2N6794 | PD-90429D |
| IRFF130 | JANTX2N6796 | PD-90430C |
| IRFF230 | JANTX2N6798 | PD-90431D |
| IRFF330 | JANTX2N6800 | PD-90432D |
| IRFF430 | JANTX2N6802 | PD-90433D |
| IRFF9110 | - | PD-90388 |
| IRFF9210 | - | PD-90382 |
| IRFF9024 | - | PD-90413 |
| IRFF9120 | JANTX2N6845 | PD-90552D |
| IRFF9220 | JANTX2N6847 | PD-90553C |
| IRFF9130 | JANTX2N6849 | PD-90550E |
| IRFF9230 | JANTX2N6851 | PD-90551E |
| IRF7F3704 | - | PD-94340B |
| IRLF120 | - | PD-90639D |

