


PRODUCT CHANGE NOTICE

1. TITLE AFL Package Changes		2. DOCUMENT NUMBER FV5-C-15-0006	
		3. DATE February 11, 2015	
4. MANUFACTURER AND ADDRESS International Rectifier 2520 Junction Avenue San Jose, Ca. 95134		5. MANUFACTURER PART NUMBER AFL Series	
		6. BASE PART See attached table	
		7. NATIONAL STOCK NUMBER (NSN) Not Available	
8. CAGE 52467	9. EFFECTIVE DATE February 2015	10. GOVERNMENT NUMBER See attached table	
11. POINT OF CONTACT Granville C. Rains Manager, Quality & Product Assurance Phone: (408) 434-5086 FAX: (408) 434-5220		12. DRAWING NUMBER See attached	
		13. SPECIFICATION NUMBER MIL-PRF-38534	
14. PRODUCT CHANGE International Rectifier is announcing changes to the raw materials used to manufacture the specific packages for the complete part series. These changes have no effect on the form, fit or fuction of the affected products. a) Changing Package frame material from Cold Rolled Steel to alloy 48. This will remove four steps from the assembly process which are inherent in dissimilar material of current design. Moly Copper 60/40 and Alloy 48 used for side walls have closer CTE. b) The ID braze for the ceramic feed through is being changed from CuSil to Ag. c) Ceramic Pellet used for pin isolation being changed from 0.047 +/- 0.002 to 0.038 – 0.049 to provide ease of manufacture. Changes were made and subsequently validated via the performance of MIL-PRF-38534 QML Group C Subgroups 1,3 & 4 (Internal Visual Only) qualification tests. These performance changes are available as Generic Group C data for this product family.			
15. APPROVAL DATE		16. APPROVING GOVERNMENT ACTIVITY	
17. GIDEP REPRESENTATIVE Granville C. Rains		18. SIGNATURE 	19. DATE January 23, 2015

SMD	Part	DSCC (DLA Land & Maritime formerly DSEC)
<u>5962-0254801HUA</u>	AFL1203R3SW/CH	DC/DC CONVERTER, SINGLE CHANNEL, 3.3 V, HYBRID
<u>5962-0254801HUC</u>	AFL1203R3SW/CH	DC/DC CONVERTER, SINGLE CHANNEL, 3.3 V, HYBRID
<u>5962-0254801HXA</u>	AFL1203R3SX/CH	DC/DC CONVERTER, SINGLE CHANNEL, 3.3 V, HYBRID
<u>5962-0254801HXC</u>	AFL1203R3SX/CH	DC/DC CONVERTER, SINGLE CHANNEL, 3.3 V, HYBRID
<u>5962-0254801HYA</u>	AFL1203R3SY/CH	DC/DC CONVERTER, SINGLE CHANNEL, 3.3 V, HYBRID
<u>5962-0254801HYC</u>	AFL1203R3SY/CH	DC/DC CONVERTER, SINGLE CHANNEL, 3.3 V, HYBRID
<u>5962-0254801HZA</u>	AFL1203R3SZ/CH	DC/DC CONVERTER, SINGLE CHANNEL, 3.3 V, HYBRID
<u>5962-0254801HZC</u>	AFL1203R3SZ/CH	DC/DC CONVERTER, SINGLE CHANNEL, 3.3 V, HYBRID
<u>5962-0254901HUA</u>	AFL12008SW/CH	DC/DC CONVERTER, SINGLE CHANNEL, 8 V, HYBRID
<u>5962-0254901HUC</u>	AFL12008SW/CH	DC/DC CONVERTER, SINGLE CHANNEL, 8 V, HYBRID
<u>5962-0254901HXA</u>	AFL12008SX/CH	DC/DC CONVERTER, SINGLE CHANNEL, 8 V, HYBRID
<u>5962-0254901HXC</u>	AFL12008SX/CH	DC/DC CONVERTER, SINGLE CHANNEL, 8 V, HYBRID
<u>5962-0254901HYA</u>	AFL12008SY/CH	DC/DC CONVERTER, SINGLE CHANNEL, 8 V, HYBRID
<u>5962-0254901HYC</u>	AFL12008SY/CH	DC/DC CONVERTER, SINGLE CHANNEL, 8 V, HYBRID
<u>5962-0254901HZA</u>	AFL12008SZ/CH	DC/DC CONVERTER, SINGLE CHANNEL, 8 V, HYBRID
<u>5962-0254901HZC</u>	AFL12008SZ/CH	DC/DC CONVERTER, SINGLE CHANNEL, 8 V, HYBRID
<u>5962-0255001HUA</u>	AFL12009SW/CH	DC/DC CONVERTER, SINGLE CHANNEL, 9 V, HYBRID
<u>5962-0255001HUC</u>	AFL12009SW/CH	DC/DC CONVERTER, SINGLE CHANNEL, 9 V, HYBRID
<u>5962-0255001HXA</u>	AFL12009SX/CH	DC/DC CONVERTER, SINGLE CHANNEL, 9 V, HYBRID
<u>5962-0255001HXC</u>	AFL12009SX/CH	DC/DC CONVERTER, SINGLE CHANNEL, 9 V, HYBRID
<u>5962-0255001HYA</u>	AFL12009SY/CH	DC/DC CONVERTER, SINGLE CHANNEL, 9 V, HYBRID
<u>5962-0255001HYC</u>	AFL12009SY/CH	DC/DC CONVERTER, SINGLE CHANNEL, 9 V, HYBRID
<u>5962-0255001HZA</u>	AFL12009SZ/CH	DC/DC CONVERTER, SINGLE CHANNEL, 9 V, HYBRID
<u>5962-0255001HZC</u>	AFL12009SZ/CH	DC/DC CONVERTER, SINGLE CHANNEL, 9 V, HYBRID
<u>5962-0255101HUA</u>	AFL12012SW/CH	DC/DC CONVERTER, SINGLE CHANNEL, 12 V, HYBRID
<u>5962-0255101HUC</u>	AFL12012SW/CH	DC/DC CONVERTER, SINGLE CHANNEL, 12 V, HYBRID
<u>5962-0255101HXA</u>	AFL12012SX/CH	DC/DC CONVERTER, SINGLE CHANNEL, 12 V, HYBRID
<u>5962-0255101HXC</u>	AFL12012SX/CH	DC/DC CONVERTER, SINGLE CHANNEL, 12 V, HYBRID
<u>5962-0255101HYA</u>	AFL12012SY/CH	DC/DC CONVERTER, SINGLE CHANNEL, 12 V, HYBRID
<u>5962-0255101HYC</u>	AFL12012SY/CH	DC/DC CONVERTER, SINGLE CHANNEL, 12 V, HYBRID
<u>5962-0255101HZA</u>	AFL12012SZ/CH	DC/DC CONVERTER, SINGLE CHANNEL, 12 V, HYBRID
<u>5962-0255101HZC</u>	AFL12012SZ/CH	DC/DC CONVERTER, SINGLE CHANNEL, 12 V, HYBRID
<u>5962-0255201HUA</u>	AFL12015SW/CH	DC/DC CONVERTER, SINGLE CHANNEL, 15 V, HYBRID
<u>5962-0255201HUC</u>	AFL12015SW/CH	DC/DC CONVERTER, SINGLE CHANNEL, 15 V, HYBRID
<u>5962-0255201HXA</u>	AFL12015SX/CH	DC/DC CONVERTER, SINGLE CHANNEL, 15 V, HYBRID
<u>5962-0255201HXC</u>	AFL12015SX/CH	DC/DC CONVERTER, SINGLE CHANNEL, 15 V, HYBRID
<u>5962-0255201HYA</u>	AFL12015SY/CH	DC/DC CONVERTER, SINGLE CHANNEL, 15 V, HYBRID
<u>5962-0255201HYC</u>	AFL12015SY/CH	DC/DC CONVERTER, SINGLE CHANNEL, 15 V, HYBRID
<u>5962-0255201HZA</u>	AFL12015SZ/CH	DC/DC CONVERTER, SINGLE CHANNEL, 15 V, HYBRID
<u>5962-0255201HZC</u>	AFL12015SZ/CH	DC/DC CONVERTER, SINGLE CHANNEL, 15 V, HYBRID
<u>5962-0255301HUA</u>	AFL12028SW/CH	DC/DC CONVERTER, SINGLE CHANNEL, 28 V, HYBRID
<u>5962-0255301HUC</u>	AFL12028SW/CH	DC/DC CONVERTER, SINGLE CHANNEL, 28 V, HYBRID
<u>5962-0255301HXA</u>	AFL12028SX/CH	DC/DC CONVERTER, SINGLE CHANNEL, 28 V, HYBRID
<u>5962-0255301HXC</u>	AFL12028SX/CH	DC/DC CONVERTER, SINGLE CHANNEL, 28 V, HYBRID

SMD	Part	DSCC (DLA Land & Maritime formerly DSEC)
<u>5962-0255301HYA</u>	AFL12028SY/CH	DC/DC CONVERTER, SINGLE CHANNEL, 28 V, HYBRID
<u>5962-0255301HYC</u>	AFL12028SY/CH	DC/DC CONVERTER, SINGLE CHANNEL, 28 V, HYBRID
<u>5962-0255301HZA</u>	AFL12028SZ/CH	DC/DC CONVERTER, SINGLE CHANNEL, 28 V, HYBRID
<u>5962-0255301HZC</u>	AFL12028SZ/CH	DC/DC CONVERTER, SINGLE CHANNEL, 28 V, HYBRID
<u>5962-0255401HUA</u>	AFL12005DW/CH	DC/DC CONVERTER, DUAL CHANNEL, 5 V, HYBRID
<u>5962-0255401HUC</u>	AFL12005DW/CH	DC/DC CONVERTER, DUAL CHANNEL, 5 V, HYBRID
<u>5962-0255401HXA</u>	AFL12005DX/CH	DC/DC CONVERTER, DUAL CHANNEL, 5 V, HYBRID
<u>5962-0255401HXC</u>	AFL12005DX/CH	DC/DC CONVERTER, DUAL CHANNEL, 5 V, HYBRID
<u>5962-0255401HYA</u>	AFL12005DY/CH	DC/DC CONVERTER, DUAL CHANNEL, 5 V, HYBRID
<u>5962-0255401HYC</u>	AFL12005DY/CH	DC/DC CONVERTER, DUAL CHANNEL, 5 V, HYBRID
<u>5962-0255401HZA</u>	AFL12005DZ/CH	DC/DC CONVERTER, DUAL CHANNEL, 5 V, HYBRID
<u>5962-0255401HZC</u>	AFL12005DZ/CH	DC/DC CONVERTER, DUAL CHANNEL, 5 V, HYBRID
<u>5962-0255501HUA</u>	AFL12015DW/CH	DC/DC CONVERTER, DUAL CHANNEL, 15 V, HYBRID
<u>5962-0255501HUC</u>	AFL12015DW/CH	DC/DC CONVERTER, DUAL CHANNEL, 15 V, HYBRID
<u>5962-0255501HXA</u>	AFL12015DX/CH	DC/DC CONVERTER, DUAL CHANNEL, 15 V, HYBRID
<u>5962-0255501HXC</u>	AFL12015DX/CH	DC/DC CONVERTER, DUAL CHANNEL, 15 V, HYBRID
<u>5962-0255501HYA</u>	AFL12015DY/CH	DC/DC CONVERTER, DUAL CHANNEL, 15 V, HYBRID
<u>5962-0255501HYC</u>	AFL12015DY/CH	DC/DC CONVERTER, DUAL CHANNEL, 15 V, HYBRID
<u>5962-0255501HZA</u>	AFL12015DZ/CH	DC/DC CONVERTER, DUAL CHANNEL, 15 V, HYBRID
<u>5962-0255501HZC</u>	AFL12015DZ/CH	DC/DC CONVERTER, DUAL CHANNEL, 15 V, HYBRID
<u>5962-0255601HUA</u>	AFL503R3SW/CH	DC/DC CONVERTER, SINGLE CHANNEL, 3.3 V, HYBRID
<u>5962-0255601HUC</u>	AFL503R3SW/CH	DC/DC CONVERTER, SINGLE CHANNEL, 3.3 V, HYBRID
<u>5962-0255601HXA</u>	AFL503R3SX/CH	DC/DC CONVERTER, SINGLE CHANNEL, 3.3 V, HYBRID
<u>5962-0255601HXC</u>	AFL503R3SX/CH	DC/DC CONVERTER, SINGLE CHANNEL, 3.3 V, HYBRID
<u>5962-0255601HYA</u>	AFL503R3SY/CH	DC/DC CONVERTER, SINGLE CHANNEL, 3.3 V, HYBRID
<u>5962-0255601HYC</u>	AFL503R3SY/CH	DC/DC CONVERTER, SINGLE CHANNEL, 3.3 V, HYBRID
<u>5962-0255601HZA</u>	AFL503R3SZ/CH	DC/DC CONVERTER, SINGLE CHANNEL, 3.3 V, HYBRID
<u>5962-0255601HZC</u>	AFL503R3SZ/CH	DC/DC CONVERTER, SINGLE CHANNEL, 3.3 V, HYBRID
<u>5962-0255701HUA</u>	AFL5005SW/CH	DC/DC CONVERTER, SINGLE CHANNEL, 5 V, HYBRID
<u>5962-0255701HUC</u>	AFL5005SW/CH	DC/DC CONVERTER, SINGLE CHANNEL, 5 V, HYBRID
<u>5962-0255701HXA</u>	AFL5005SX/CH	DC/DC CONVERTER, SINGLE CHANNEL, 5 V, HYBRID
<u>5962-0255701HXC</u>	AFL5005SX/CH	DC/DC CONVERTER, SINGLE CHANNEL, 5 V, HYBRID
<u>5962-0255701HYA</u>	AFL5005SY/CH	DC/DC CONVERTER, SINGLE CHANNEL, 5 V, HYBRID
<u>5962-0255701HYC</u>	AFL5005SY/CH	DC/DC CONVERTER, SINGLE CHANNEL, 5 V, HYBRID
<u>5962-0255701HZA</u>	AFL5005SZ/CH	DC/DC CONVERTER, SINGLE CHANNEL, 5 V, HYBRID
<u>5962-0255701HZC</u>	AFL5005SZ/CH	DC/DC CONVERTER, SINGLE CHANNEL, 5 V, HYBRID
<u>5962-0255801HUA</u>	AFL5008SW/CH	DC/DC CONVERTER, SINGLE CHANNEL, 8 V, HYBRID
<u>5962-0255801HUC</u>	AFL5008SW/CH	DC/DC CONVERTER, SINGLE CHANNEL, 8 V, HYBRID
<u>5962-0255801HXA</u>	AFL5008SX/CH	DC/DC CONVERTER, SINGLE CHANNEL, 8 V, HYBRID
<u>5962-0255801HXC</u>	AFL5008SX/CH	DC/DC CONVERTER, SINGLE CHANNEL, 8 V, HYBRID
<u>5962-0255801HYA</u>	AFL5008SY/CH	DC/DC CONVERTER, SINGLE CHANNEL, 8 V, HYBRID
<u>5962-0255801HYC</u>	AFL5008SY/CH	DC/DC CONVERTER, SINGLE CHANNEL, 8 V, HYBRID
<u>5962-0255801HZA</u>	AFL5008SZ/CH	DC/DC CONVERTER, SINGLE CHANNEL, 8 V, HYBRID
<u>5962-0255801HZC</u>	AFL5008SZ/CH	DC/DC CONVERTER, SINGLE CHANNEL, 8 V, HYBRID

SMD	Part	DSCC (DLA Land & Maritime formerly DSEC)
<u>5962-0255901HUA</u>	AFL5009SW/CH	DC/DC CONVERTER, SINGLE CHANNEL, 9 V, HYBRID
<u>5962-0255901HUC</u>	AFL5009SW/CH	DC/DC CONVERTER, SINGLE CHANNEL, 9 V, HYBRID
<u>5962-0255901HXA</u>	AFL5009SX/CH	DC/DC CONVERTER, SINGLE CHANNEL, 9 V, HYBRID
<u>5962-0255901HXC</u>	AFL5009SX/CH	DC/DC CONVERTER, SINGLE CHANNEL, 9 V, HYBRID
<u>5962-0255901HYA</u>	AFL5009SY/CH	DC/DC CONVERTER, SINGLE CHANNEL, 9 V, HYBRID
<u>5962-0255901HYC</u>	AFL5009SY/CH	DC/DC CONVERTER, SINGLE CHANNEL, 9 V, HYBRID
<u>5962-0255901HZA</u>	AFL5009SZ/CH	DC/DC CONVERTER, SINGLE CHANNEL, 9 V, HYBRID
<u>5962-0255901HZC</u>	AFL5009SZ/CH	DC/DC CONVERTER, SINGLE CHANNEL, 9 V, HYBRID
<u>5962-0256001HUA</u>	AFL5012SW/CH	DC/DC CONVERTER, SINGLE CHANNEL, 12 V, HYBRID
<u>5962-0256001HUC</u>	AFL5012SW/CH	DC/DC CONVERTER, SINGLE CHANNEL, 12 V, HYBRID
<u>5962-0256001HXA</u>	AFL5012SX/CH	DC/DC CONVERTER, SINGLE CHANNEL, 12 V, HYBRID
<u>5962-0256001HXC</u>	AFL5012SX/CH	DC/DC CONVERTER, SINGLE CHANNEL, 12 V, HYBRID
<u>5962-0256001HYA</u>	AFL5012SY/CH	DC/DC CONVERTER, SINGLE CHANNEL, 12 V, HYBRID
<u>5962-0256001HYC</u>	AFL5012SY/CH	DC/DC CONVERTER, SINGLE CHANNEL, 12 V, HYBRID
<u>5962-0256001HZA</u>	AFL5012SZ/CH	DC/DC CONVERTER, SINGLE CHANNEL, 12 V, HYBRID
<u>5962-0256001HZC</u>	AFL5012SZ/CH	DC/DC CONVERTER, SINGLE CHANNEL, 12 V, HYBRID
<u>5962-0256101HUA</u>	AFL5015SW/CH	DC/DC CONVERTER, SINGLE CHANNEL, 15 V, HYBRID
<u>5962-0256101HUC</u>	AFL5015SW/CH	DC/DC CONVERTER, SINGLE CHANNEL, 15 V, HYBRID
<u>5962-0256101HXA</u>	AFL5015SX/CH	DC/DC CONVERTER, SINGLE CHANNEL, 15 V, HYBRID
<u>5962-0256101HXC</u>	AFL5015SX/CH	DC/DC CONVERTER, SINGLE CHANNEL, 15 V, HYBRID
<u>5962-0256101HYA</u>	AFL5015SY/CH	DC/DC CONVERTER, SINGLE CHANNEL, 15 V, HYBRID
<u>5962-0256101HYC</u>	AFL5015SY/CH	DC/DC CONVERTER, SINGLE CHANNEL, 15 V, HYBRID
<u>5962-0256101HZA</u>	AFL5015SZ/CH	DC/DC CONVERTER, SINGLE CHANNEL, 15 V, HYBRID
<u>5962-0256101HZC</u>	AFL5015SZ/CH	DC/DC CONVERTER, SINGLE CHANNEL, 15 V, HYBRID
<u>5962-0256201HUA</u>	AFL5028SW/CH	DC/DC CONVERTER, SINGLE CHANNEL, 28 V, HYBRID
<u>5962-0256201HUC</u>	AFL5028SW/CH	DC/DC CONVERTER, SINGLE CHANNEL, 28 V, HYBRID
<u>5962-0256201HXA</u>	AFL5028SX/CH	DC/DC CONVERTER, SINGLE CHANNEL, 28 V, HYBRID
<u>5962-0256201HXC</u>	AFL5028SX/CH	DC/DC CONVERTER, SINGLE CHANNEL, 28 V, HYBRID
<u>5962-0256201HYA</u>	AFL5028SY/CH	DC/DC CONVERTER, SINGLE CHANNEL, 28 V, HYBRID
<u>5962-0256201HYC</u>	AFL5028SY/CH	DC/DC CONVERTER, SINGLE CHANNEL, 28 V, HYBRID
<u>5962-0256201HZA</u>	AFL5028SZ/CH	DC/DC CONVERTER, SINGLE CHANNEL, 28 V, HYBRID
<u>5962-0256201HZC</u>	AFL5028SZ/CH	DC/DC CONVERTER, SINGLE CHANNEL, 28 V, HYBRID
<u>5962-0256301HUA</u>	AFL5005DW/CH	DC/DC CONVERTER, DUAL CHANNEL, 5 V, HYBRID
<u>5962-0256301HUC</u>	AFL5005DW/CH	DC/DC CONVERTER, DUAL CHANNEL, 5 V, HYBRID
<u>5962-0256301HXA</u>	AFL5005DX/CH	DC/DC CONVERTER, DUAL CHANNEL, 5 V, HYBRID
<u>5962-0256301HXC</u>	AFL5005DX/CH	DC/DC CONVERTER, DUAL CHANNEL, 5 V, HYBRID
<u>5962-0256301HYA</u>	AFL5005DY/CH	DC/DC CONVERTER, DUAL CHANNEL, 5 V, HYBRID
<u>5962-0256301HYC</u>	AFL5005DY/CH	DC/DC CONVERTER, DUAL CHANNEL, 5 V, HYBRID
<u>5962-0256301HZA</u>	AFL5005DZ/CH	DC/DC CONVERTER, DUAL CHANNEL, 5 V, HYBRID
<u>5962-0256301HZC</u>	AFL5005DZ/CH	DC/DC CONVERTER, DUAL CHANNEL, 5 V, HYBRID
<u>5962-0256401HUA</u>	AFL5012DW/CH	DC/DC CONVERTER, DUAL CHANNEL, 12 V, HYBRID
<u>5962-0256401HUC</u>	AFL5012DW/CH	DC/DC CONVERTER, DUAL CHANNEL, 12 V, HYBRID
<u>5962-0256401HXA</u>	AFL5012DX/CH	DC/DC CONVERTER, DUAL CHANNEL, 12 V, HYBRID
<u>5962-0256401HXC</u>	AFL5012DX/CH	DC/DC CONVERTER, DUAL CHANNEL, 12 V, HYBRID

SMD	Part	DSCC (DLA Land & Maritime formerly DSEC)
<u>5962-0256401HYA</u>	AFL5012DY/CH	DC/DC CONVERTER, DUAL CHANNEL, 12 V, HYBRID
<u>5962-0256401HYC</u>	AFL5012DY/CH	DC/DC CONVERTER, DUAL CHANNEL, 12 V, HYBRID
<u>5962-0256401HZA</u>	AFL5012DZ/CH	DC/DC CONVERTER, DUAL CHANNEL, 12 V, HYBRID
<u>5962-0256401HZC</u>	AFL5012DZ/CH	DC/DC CONVERTER, DUAL CHANNEL, 12 V, HYBRID
<u>5962-0256501HUA</u>	AFL5015DW/CH	DC/DC CONVERTER, DUAL CHANNEL, 15 V, HYBRID
<u>5962-0256501HUC</u>	AFL5015DW/CH	DC/DC CONVERTER, DUAL CHANNEL, 15 V, HYBRID
<u>5962-0256501HXA</u>	AFL5015DX/CH	DC/DC CONVERTER, DUAL CHANNEL, 15 V, HYBRID
<u>5962-0256501HXC</u>	AFL5015DX/CH	DC/DC CONVERTER, DUAL CHANNEL, 15 V, HYBRID
<u>5962-0256501HYA</u>	AFL5015DY/CH	DC/DC CONVERTER, DUAL CHANNEL, 15 V, HYBRID
<u>5962-0256501HYC</u>	AFL5015DY/CH	DC/DC CONVERTER, DUAL CHANNEL, 15 V, HYBRID
<u>5962-0256501HZA</u>	AFL5015DZ/CH	DC/DC CONVERTER, DUAL CHANNEL, 15 V, HYBRID
<u>5962-0256501HZC</u>	AFL5015DZ/CH	DC/DC CONVERTER, DUAL CHANNEL, 15 V, HYBRID
<u>5962-9456901HUA</u>	AFL27005SW/CH	DC/DC CONVERTER, SINGLE CHANNEL, 5 VOLT, HYBRID
<u>5962-9456901HUC</u>	AFL27005SW/CH	DC/DC CONVERTER, SINGLE CHANNEL, 5 VOLT, HYBRID
<u>5962-9456901HXA</u>	AFL27005SX/CH	DC/DC CONVERTER, SINGLE CHANNEL, 5 VOLT, HYBRID
<u>5962-9456901HXC</u>	AFL27005SX/CH	DC/DC CONVERTER, SINGLE CHANNEL, 5 VOLT, HYBRID
<u>5962-9456901HYA</u>	AFL27005SY/CH	DC/DC CONVERTER, SINGLE CHANNEL, 5 VOLT, HYBRID
<u>5962-9456901HYC</u>	AFL27005SY/CH	DC/DC CONVERTER, SINGLE CHANNEL, 5 VOLT, HYBRID
<u>5962-9456901HZA</u>	AFL27005SZ/CH	DC/DC CONVERTER, SINGLE CHANNEL, 5 VOLT, HYBRID
<u>5962-9456901HZC</u>	AFL27005SZ/CH	DC/DC CONVERTER, SINGLE CHANNEL, 5 VOLT, HYBRID
<u>5962-9457001HUA</u>	AFL27015SW/CH	DC/DC CONVERTER, SINGLE CHANNEL, 15 VOLT, HYBRID
<u>5962-9457001HUC</u>	AFL27015SW/CH	DC/DC CONVERTER, SINGLE CHANNEL, 15 VOLT, HYBRID
<u>5962-9457001HXA</u>	AFL27015SX/CH	DC/DC CONVERTER, SINGLE CHANNEL, 15 VOLT, HYBRID
<u>5962-9457001HXC</u>	AFL27015SX/CH	DC/DC CONVERTER, SINGLE CHANNEL, 15 VOLT, HYBRID
<u>5962-9457001HYA</u>	AFL27015SY/CH	DC/DC CONVERTER, SINGLE CHANNEL, 15 VOLT, HYBRID
<u>5962-9457001HYC</u>	AFL27015SY/CH	DC/DC CONVERTER, SINGLE CHANNEL, 15 VOLT, HYBRID
<u>5962-9457001HZA</u>	AFL27015SZ/CH	DC/DC CONVERTER, SINGLE CHANNEL, 15 VOLT, HYBRID
<u>5962-9457001HZC</u>	AFL27015SZ/CH	DC/DC CONVERTER, SINGLE CHANNEL, 15 VOLT, HYBRID
<u>5962-9472101HUA</u>	AFL2805SW/CH	DC/DC CONVERTER, SINGLE CHANNEL, 5 VOLT, HYBRID
<u>5962-9472101HUC</u>	AFL2805SW/CH	DC/DC CONVERTER, SINGLE CHANNEL, 5 VOLT, HYBRID
<u>5962-9472101HXA</u>	AFL2805SX/CH	DC/DC CONVERTER, SINGLE CHANNEL, 5 VOLT, HYBRID
<u>5962-9472101HXC</u>	AFL2805SX/CH	DC/DC CONVERTER, SINGLE CHANNEL, 5 VOLT, HYBRID
<u>5962-9472101HYA</u>	AFL2805SY/CH	DC/DC CONVERTER, SINGLE CHANNEL, 5 VOLT, HYBRID
<u>5962-9472101HYC</u>	AFL2805SY/CH	DC/DC CONVERTER, SINGLE CHANNEL, 5 VOLT, HYBRID
<u>5962-9472101HZA</u>	AFL2805SZ/CH	DC/DC CONVERTER, SINGLE CHANNEL, 5 VOLT, HYBRID
<u>5962-9472101HZC</u>	AFL2805SZ/CH	DC/DC CONVERTER, SINGLE CHANNEL, 5 VOLT, HYBRID
<u>5962-9472201HUA</u>	AFL2812SW/CH	DC/DC CONVERTER, SINGLE CHANNEL, 12 VOLT, HYBRID
<u>5962-9472201HUC</u>	AFL2812SW/CH	DC/DC CONVERTER, SINGLE CHANNEL, 12 VOLT, HYBRID
<u>5962-9472201HXA</u>	AFL2812SX/CH	DC/DC CONVERTER, SINGLE CHANNEL, 12 VOLT, HYBRID
<u>5962-9472201HXC</u>	AFL2812SX/CH	DC/DC CONVERTER, SINGLE CHANNEL, 12 VOLT, HYBRID
<u>5962-9472201HYA</u>	AFL2812SY/CH	DC/DC CONVERTER, SINGLE CHANNEL, 12 VOLT, HYBRID
<u>5962-9472201HYC</u>	AFL2812SY/CH	DC/DC CONVERTER, SINGLE CHANNEL, 12 VOLT, HYBRID
<u>5962-9472201HZA</u>	AFL2812SZ/CH	DC/DC CONVERTER, SINGLE CHANNEL, 12 VOLT, HYBRID
<u>5962-9472201HZC</u>	AFL2812SZ/CH	DC/DC CONVERTER, SINGLE CHANNEL, 12 VOLT, HYBRID

SMD	Part	DSCC (DLA Land & Maritime formerly DSEC)
<u>5962-9472301HUA</u>	AFL2815SW/CH	DC/DC CONVERTER, SINGLE CHANNEL, 15 VOLT, HYBRID
<u>5962-9472301HUC</u>	AFL2815SW/CH	DC/DC CONVERTER, SINGLE CHANNEL, 15 VOLT, HYBRID
<u>5962-9472301HXA</u>	AFL2815SX/CH	DC/DC CONVERTER, SINGLE CHANNEL, 15 VOLT, HYBRID
<u>5962-9472301HXC</u>	AFL2815SX/CH	DC/DC CONVERTER, SINGLE CHANNEL, 15 VOLT, HYBRID
<u>5962-9472301HYA</u>	AFL2815SY/CH	DC/DC CONVERTER, SINGLE CHANNEL, 15 VOLT, HYBRID
<u>5962-9472301HYC</u>	AFL2815SY/CH	DC/DC CONVERTER, SINGLE CHANNEL, 15 VOLT, HYBRID
<u>5962-9472301HZA</u>	AFL2815SZ/CH	DC/DC CONVERTER, SINGLE CHANNEL, 15 VOLT, HYBRID
<u>5962-9472301HZC</u>	AFL2815SZ/CH	DC/DC CONVERTER, SINGLE CHANNEL, 15 VOLT, HYBRID
<u>5962-9472401HUA</u>	AFL2815DW/CH	DC/DC CONVERTER, DUAL CHANNEL, 15 VOLT, HYBRID
<u>5962-9472401HUC</u>	AFL2815DW/CH	DC/DC CONVERTER, DUAL CHANNEL, 15 VOLT, HYBRID
<u>5962-9472401HXA</u>	AFL2815DX/CH	DC/DC CONVERTER, DUAL CHANNEL, 15 VOLT, HYBRID
<u>5962-9472401HXC</u>	AFL2815DX/CH	DC/DC CONVERTER, DUAL CHANNEL, 15 VOLT, HYBRID
<u>5962-9472401HYA</u>	AFL2815DY/CH	DC/DC CONVERTER, DUAL CHANNEL, 15 VOLT, HYBRID
<u>5962-9472401HYC</u>	AFL2815DY/CH	DC/DC CONVERTER, DUAL CHANNEL, 15 VOLT, HYBRID
<u>5962-9472401HZA</u>	AFL2815DZ/CH	DC/DC CONVERTER, DUAL CHANNEL, 15 VOLT, HYBRID
<u>5962-9472401HZC</u>	AFL2815DZ/CH	DC/DC CONVERTER, DUAL CHANNEL, 15 VOLT, HYBRID
<u>5962-9475301HUA</u>	AFL27012SW/CH	DC/DC CONVERTER, SINGLE CHANNEL, 12 VOLT, LINEAR, HYBRID
<u>5962-9475301HUC</u>	AFL27012SW/CH	DC/DC CONVERTER, SINGLE CHANNEL, 12 VOLT, LINEAR, HYBRID
<u>5962-9475301HXA</u>	AFL27012SX/CH	DC/DC CONVERTER, SINGLE CHANNEL, 12 VOLT, LINEAR, HYBRID
<u>5962-9475301HXC</u>	AFL27012SX/CH	DC/DC CONVERTER, SINGLE CHANNEL, 12 VOLT, LINEAR, HYBRID
<u>5962-9475301HYA</u>	AFL27012SY/CH	DC/DC CONVERTER, SINGLE CHANNEL, 12 VOLT, LINEAR, HYBRID
<u>5962-9475301HYC</u>	AFL27012SY/CH	DC/DC CONVERTER, SINGLE CHANNEL, 12 VOLT, LINEAR, HYBRID
<u>5962-9475301HZA</u>	AFL27012SZ/CH	DC/DC CONVERTER, SINGLE CHANNEL, 12 VOLT, LINEAR, HYBRID
<u>5962-9475301HZC</u>	AFL27012SZ/CH	DC/DC CONVERTER, SINGLE CHANNEL, 12 VOLT, LINEAR, HYBRID
<u>5962-9550101HUA</u>	AFL27005DW/CH	DC/DC CONVERTER, DUAL CHANNEL, 5 VOLT, HYBRID
<u>5962-9550101HUC</u>	AFL27005DW/CH	DC/DC CONVERTER, DUAL CHANNEL, 5 VOLT, HYBRID
<u>5962-9550101HXA</u>	AFL27005DX/CH	DC/DC CONVERTER, DUAL CHANNEL, 5 VOLT, HYBRID
<u>5962-9550101HXC</u>	AFL27005DX/CH	DC/DC CONVERTER, DUAL CHANNEL, 5 VOLT, HYBRID
<u>5962-9550101HYA</u>	AFL27005DY/CH	DC/DC CONVERTER, DUAL CHANNEL, 5 VOLT, HYBRID
<u>5962-9550101HYC</u>	AFL27005DY/CH	DC/DC CONVERTER, DUAL CHANNEL, 5 VOLT, HYBRID
<u>5962-9550101HZA</u>	AFL27005DZ/CH	DC/DC CONVERTER, DUAL CHANNEL, 5 VOLT, HYBRID
<u>5962-9550101HZC</u>	AFL27005DZ/CH	DC/DC CONVERTER, DUAL CHANNEL, 5 VOLT, HYBRID
<u>5962-9550201HUA</u>	AFL27018.2DW/CH	DC/DC CONVERTER, DUAL CHANNEL, 18.2 VOLT, HYBRID
<u>5962-9550201HUC</u>	AFL27018.2DW/CH	DC/DC CONVERTER, DUAL CHANNEL, 18.2 VOLT, HYBRID
<u>5962-9550201HXA</u>	AFL27018.2DX/CH	DC/DC CONVERTER, DUAL CHANNEL, 18.2 VOLT, HYBRID
<u>5962-9550201HXC</u>	AFL27018.2DX/CH	DC/DC CONVERTER, DUAL CHANNEL, 18.2 VOLT, HYBRID
<u>5962-9550201HYA</u>	AFL27018.2DY/CH	DC/DC CONVERTER, DUAL CHANNEL, 18.2 VOLT, HYBRID
<u>5962-9550201HYC</u>	AFL27018.2DY/CH	DC/DC CONVERTER, DUAL CHANNEL, 18.2 VOLT, HYBRID
<u>5962-9550201HZA</u>	AFL27018.2DZ/CH	DC/DC CONVERTER, DUAL CHANNEL, 18.2 VOLT, HYBRID
<u>5962-9550201HZC</u>	AFL27018.2DZ/CH	DC/DC CONVERTER, DUAL CHANNEL, 18.2 VOLT, HYBRID
<u>5962-9553201HUA</u>	AFL27015DW/CH	DC/DC CONVERTER, DUAL CHANNEL, 15 VOLT, HYBRID
<u>5962-9553201HUC</u>	AFL27015DW/CH	DC/DC CONVERTER, DUAL CHANNEL, 15 VOLT, HYBRID
<u>5962-9553201HXA</u>	AFL27015DX/CH	DC/DC CONVERTER, DUAL CHANNEL, 15 VOLT, HYBRID
<u>5962-9553201HXC</u>	AFL27015DX/CH	DC/DC CONVERTER, DUAL CHANNEL, 15 VOLT, HYBRID

SMD	Part	DSCC (DLA Land & Maritime formerly DSEC)
<u>5962-9553201HYA</u>	AFL27015DY/CH	DC/DC CONVERTER, DUAL CHANNEL, 15 VOLT, HYBRID
<u>5962-9553201HYC</u>	AFL27015DY/CH	DC/DC CONVERTER, DUAL CHANNEL, 15 VOLT, HYBRID
<u>5962-9553201HZA</u>	AFL27015DZ/CH	DC/DC CONVERTER, DUAL CHANNEL, 15 VOLT, HYBRID
<u>5962-9553201HZC</u>	AFL27015DZ/CH	DC/DC CONVERTER, DUAL CHANNEL, 15 VOLT, HYBRID
<u>5962-9553401HUA</u>	AFL27006SW/CH	DC/DC CONVERTER, SINGLE CHANNEL, 6 VOLT, HYBRID
<u>5962-9553401HUC</u>	AFL27006SW/CH	DC/DC CONVERTER, SINGLE CHANNEL, 6 VOLT, HYBRID
<u>5962-9553401HXA</u>	AFL27006SX/CH	DC/DC CONVERTER, SINGLE CHANNEL, 6 VOLT, HYBRID
<u>5962-9553401HXC</u>	AFL27006SX/CH	DC/DC CONVERTER, SINGLE CHANNEL, 6 VOLT, HYBRID
<u>5962-9553401HYA</u>	AFL27006SY/CH	DC/DC CONVERTER, SINGLE CHANNEL, 6 VOLT, HYBRID
<u>5962-9553401HYC</u>	AFL27006SY/CH	DC/DC CONVERTER, SINGLE CHANNEL, 6 VOLT, HYBRID
<u>5962-9553401HZA</u>	AFL27006SZ/CH	DC/DC CONVERTER, SINGLE CHANNEL, 6 VOLT, HYBRID
<u>5962-9553401HZC</u>	AFL27006SZ/CH	DC/DC CONVERTER, SINGLE CHANNEL, 6 VOLT, HYBRID
<u>5962-9553501HUA</u>	AFL27009SW/CH	DC/DC CONVERTER, SINGLE CHANNEL, 9 VOLT, HYBRID
<u>5962-9553501HUC</u>	AFL27009SW/CH	DC/DC CONVERTER, SINGLE CHANNEL, 9 VOLT, HYBRID
<u>5962-9553501HXA</u>	AFL27009SX/CH	DC/DC CONVERTER, SINGLE CHANNEL, 9 VOLT, HYBRID
<u>5962-9553501HXC</u>	AFL27009SX/CH	DC/DC CONVERTER, SINGLE CHANNEL, 9 VOLT, HYBRID
<u>5962-9553501HYA</u>	AFL27009SY/CH	DC/DC CONVERTER, SINGLE CHANNEL, 9 VOLT, HYBRID
<u>5962-9553501HYC</u>	AFL27009SY/CH	DC/DC CONVERTER, SINGLE CHANNEL, 9 VOLT, HYBRID
<u>5962-9553501HZA</u>	AFL27009SZ/CH	DC/DC CONVERTER, SINGLE CHANNEL, 9 VOLT, HYBRID
<u>5962-9553501HZC</u>	AFL27009SZ/CH	DC/DC CONVERTER, SINGLE CHANNEL, 9 VOLT, HYBRID
<u>5962-9556501HUA</u>	AFL27028SW/CH	DC/DC CONVERTER, SINGLE CHANNEL, 28 VOLT, HYBRID
<u>5962-9556501HUC</u>	AFL27028SW/CH	DC/DC CONVERTER, SINGLE CHANNEL, 28 VOLT, HYBRID
<u>5962-9556501HXA</u>	AFL27028SX/CH	DC/DC CONVERTER, SINGLE CHANNEL, 28 VOLT, HYBRID
<u>5962-9556501HXC</u>	AFL27028SX/CH	DC/DC CONVERTER, SINGLE CHANNEL, 28 VOLT, HYBRID
<u>5962-9556501HYA</u>	AFL27028SY/CH	DC/DC CONVERTER, SINGLE CHANNEL, 28 VOLT, HYBRID
<u>5962-9556501HYC</u>	AFL27028SY/CH	DC/DC CONVERTER, SINGLE CHANNEL, 28 VOLT, HYBRID
<u>5962-9556501HZA</u>	AFL27028SZ/CH	DC/DC CONVERTER, SINGLE CHANNEL, 28 VOLT, HYBRID
<u>5962-9556501HZC</u>	AFL27028SZ/CH	DC/DC CONVERTER, SINGLE CHANNEL, 28 VOLT, HYBRID
<u>5962-9579501HUA</u>	AFL2805DW/CH	DC/DC CONVERTER, DUAL CHANNEL, 5 VOLT, HYBRID
<u>5962-9579501HUC</u>	AFL2805DW/CH	DC/DC CONVERTER, DUAL CHANNEL, 5 VOLT, HYBRID
<u>5962-9579501HXA</u>	AFL2805DX/CH	DC/DC CONVERTER, DUAL CHANNEL, 5 VOLT, HYBRID
<u>5962-9579501HXC</u>	AFL2805DX/CH	DC/DC CONVERTER, DUAL CHANNEL, 5 VOLT, HYBRID
<u>5962-9579501HYA</u>	AFL2805DY/CH	DC/DC CONVERTER, DUAL CHANNEL, 5 VOLT, HYBRID
<u>5962-9579501HYC</u>	AFL2805DY/CH	DC/DC CONVERTER, DUAL CHANNEL, 5 VOLT, HYBRID
<u>5962-9579501HZA</u>	AFL2805DZ/CH	DC/DC CONVERTER, DUAL CHANNEL, 5 VOLT, HYBRID
<u>5962-9579501HZC</u>	AFL2805DZ/CH	DC/DC CONVERTER, DUAL CHANNEL, 5 VOLT, HYBRID
<u>5962-9579601HUA</u>	AFL2812DW/CH	DC/DC CONVERTER, DUAL CHANNEL, 12 VOLT, HYBRID
<u>5962-9579601HUC</u>	AFL2812DW/CH	DC/DC CONVERTER, DUAL CHANNEL, 12 VOLT, HYBRID
<u>5962-9579601HXA</u>	AFL2812DX/CH	DC/DC CONVERTER, DUAL CHANNEL, 12 VOLT, HYBRID
<u>5962-9579601HXC</u>	AFL2812DX/CH	DC/DC CONVERTER, DUAL CHANNEL, 12 VOLT, HYBRID
<u>5962-9579601HYA</u>	AFL2812DY/CH	DC/DC CONVERTER, DUAL CHANNEL, 12 VOLT, HYBRID
<u>5962-9579601HYC</u>	AFL2812DY/CH	DC/DC CONVERTER, DUAL CHANNEL, 12 VOLT, HYBRID
<u>5962-9579601HZA</u>	AFL2812DZ/CH	DC/DC CONVERTER, DUAL CHANNEL, 12 VOLT, HYBRID
<u>5962-9579601HZC</u>	AFL2812DZ/CH	DC/DC CONVERTER, DUAL CHANNEL, 12 VOLT, HYBRID

SMD	Part	DSCC (DLA Land & Maritime formerly DSEC)
<u>5962-9650101HUA</u>	AFL27025SW/CH	DC/DC CONVERTER, SINGLE CHANNEL, 25 VOLT, HYBRID
<u>5962-9650101HUC</u>	AFL27025SW/CH	DC/DC CONVERTER, SINGLE CHANNEL, 25 VOLT, HYBRID
<u>5962-9650101HXA</u>	AFL27025SX/CH	DC/DC CONVERTER, SINGLE CHANNEL, 25 VOLT, HYBRID
<u>5962-9650101HXC</u>	AFL27025SX/CH	DC/DC CONVERTER, SINGLE CHANNEL, 25 VOLT, HYBRID
<u>5962-9650101HYA</u>	AFL27025SY/CH	DC/DC CONVERTER, SINGLE CHANNEL, 25 VOLT, HYBRID
<u>5962-9650101HYC</u>	AFL27025SY/CH	DC/DC CONVERTER, SINGLE CHANNEL, 25 VOLT, HYBRID
<u>5962-9650101HZA</u>	AFL27025SZ/CH	DC/DC CONVERTER, SINGLE CHANNEL, 25 VOLT, HYBRID
<u>5962-9650101HZC</u>	AFL27025SZ/CH	DC/DC CONVERTER, SINGLE CHANNEL, 25 VOLT, HYBRID
<u>5962-9665901HUA</u>	AFL2808SW/CH	DC/DC CONVERTER, SINGLE CHANNEL, 8 VOLT, HYBRID
<u>5962-9665901HUC</u>	AFL2808SW/CH	DC/DC CONVERTER, SINGLE CHANNEL, 8 VOLT, HYBRID
<u>5962-9665901HXA</u>	AFL2808SX/CH	DC/DC CONVERTER, SINGLE CHANNEL, 8 VOLT, HYBRID
<u>5962-9665901HXC</u>	AFL2808SX/CH	DC/DC CONVERTER, SINGLE CHANNEL, 8 VOLT, HYBRID
<u>5962-9665901HYA</u>	AFL2808SY/CH	DC/DC CONVERTER, SINGLE CHANNEL, 8 VOLT, HYBRID
<u>5962-9665901HYC</u>	AFL2808SY/CH	DC/DC CONVERTER, SINGLE CHANNEL, 8 VOLT, HYBRID
<u>5962-9665901HZA</u>	AFL2808SZ/CH	DC/DC CONVERTER, SINGLE CHANNEL, 8 VOLT, HYBRID
<u>5962-9665901HZC</u>	AFL2808SZ/CH	DC/DC CONVERTER, SINGLE CHANNEL, 8 VOLT, HYBRID
<u>5962-9689901HUA</u>	AFL2828SW/CH	DC/DC CONVERTER, SINGLE CHANNEL, 28 VOLT, HYBRID
<u>5962-9689901HUC</u>	AFL2828SW/CH	DC/DC CONVERTER, SINGLE CHANNEL, 28 VOLT, HYBRID
<u>5962-9689901HXA</u>	AFL2828SX/CH	DC/DC CONVERTER, SINGLE CHANNEL, 28 VOLT, HYBRID
<u>5962-9689901HXC</u>	AFL2828SX/CH	DC/DC CONVERTER, SINGLE CHANNEL, 28 VOLT, HYBRID
<u>5962-9689901HYA</u>	AFL2828SY/CH	DC/DC CONVERTER, SINGLE CHANNEL, 28 VOLT, HYBRID
<u>5962-9689901HYC</u>	AFL2828SY/CH	DC/DC CONVERTER, SINGLE CHANNEL, 28 VOLT, HYBRID
<u>5962-9689901HZA</u>	AFL2828SZ/CH	DC/DC CONVERTER, SINGLE CHANNEL, 28 VOLT, HYBRID
<u>5962-9689901HZC</u>	AFL2828SZ/CH	DC/DC CONVERTER, SINGLE CHANNEL, 28 VOLT, HYBRID
<u>5962-9863801HUA</u>	AFL2806.5DW/CH	DC/DC CONVERTER, 6.5-VOLT, DUAL CHANNEL
<u>5962-9863801HUC</u>	AFL2806.5DW/CH	DC/DC CONVERTER, 6.5-VOLT, DUAL CHANNEL
<u>5962-9863801HXA</u>	AFL2806.5DX/CH	DC/DC CONVERTER, 6.5-VOLT, DUAL CHANNEL
<u>5962-9863801HXC</u>	AFL2806.5DX/CH	DC/DC CONVERTER, 6.5-VOLT, DUAL CHANNEL
<u>5962-9863801HYA</u>	AFL2806.5DY/CH	DC/DC CONVERTER, 6.5-VOLT, DUAL CHANNEL
<u>5962-9863801HYC</u>	AFL2806.5DY/CH	DC/DC CONVERTER, 6.5-VOLT, DUAL CHANNEL
<u>5962-9863801HZA</u>	AFL2806.5DZ/CH	DC/DC CONVERTER, 6.5-VOLT, DUAL CHANNEL
<u>5962-9863801HZC</u>	AFL2806.5DZ/CH	DC/DC CONVERTER, 6.5-VOLT, DUAL CHANNEL
<u>5962-9951801HUA</u>	AFL27012DW/CH	DC/DC CONVERTER, DUAL CHANNEL, 12 VOLT, HYBRID
<u>5962-9951801HUC</u>	AFL27012DW/CH	DC/DC CONVERTER, DUAL CHANNEL, 12 VOLT, HYBRID
<u>5962-9951801HXA</u>	AFL27012DX/CH	DC/DC CONVERTER, DUAL CHANNEL, 12 VOLT, HYBRID
<u>5962-9951801HXC</u>	AFL27012DX/CH	DC/DC CONVERTER, DUAL CHANNEL, 12 VOLT, HYBRID
<u>5962-9951801HYA</u>	AFL27012DY/CH	DC/DC CONVERTER, DUAL CHANNEL, 12 VOLT, HYBRID
<u>5962-9951801HYC</u>	AFL27012DY/CH	DC/DC CONVERTER, DUAL CHANNEL, 12 VOLT, HYBRID
<u>5962-9951801HZA</u>	AFL27012DZ/CH	DC/DC CONVERTER, DUAL CHANNEL, 12 VOLT, HYBRID
<u>5962-9951801HZC</u>	AFL27012DZ/CH	DC/DC CONVERTER, DUAL CHANNEL, 12 VOLT, HYBRID
<u>5962-9955201HUA</u>	AFL2803.3SW/CH	DC/DC CONVERTER, SINGLE CHANNEL, 3.3 VOLT, HYBRID
<u>5962-9955201HUC</u>	AFL2803.3SW/CH	DC/DC CONVERTER, SINGLE CHANNEL, 3.3 VOLT, HYBRID
<u>5962-9955201HXA</u>	AFL2803.3SX/CH	DC/DC CONVERTER, SINGLE CHANNEL, 3.3 VOLT, HYBRID
<u>5962-9955201HXC</u>	AFL2803.3SX/CH	DC/DC CONVERTER, SINGLE CHANNEL, 3.3 VOLT, HYBRID

SMD	Part	DSCC (DLA Land & Maritime formerly DSEC)
<u>5962-9955201HYA</u>	AFL2803.3SY/CH	DC/DC CONVERTER, SINGLE CHANNEL, 3.3 VOLT, HYBRID
<u>5962-9955201HYC</u>	AFL2803.3SY/CH	DC/DC CONVERTER, SINGLE CHANNEL, 3.3 VOLT, HYBRID
<u>5962-9955201HZA</u>	AFL2803.3SZ/CH	DC/DC CONVERTER, SINGLE CHANNEL, 3.3 VOLT, HYBRID
<u>5962-9955201HZC</u>	AFL2803.3SZ/CH	DC/DC CONVERTER, SINGLE CHANNEL, 3.3 VOLT, HYBRID
<u>5962-9955301HUA</u>	AFL27003.3SW/CH	DC/DC CONVERTER, SINGLE CHANNEL, 3.3 VOLT, HYBRID
<u>5962-9955301HUC</u>	AFL27003.3SW/CH	DC/DC CONVERTER, SINGLE CHANNEL, 3.3 VOLT, HYBRID
<u>5962-9955301HXA</u>	AFL27003.3SX/CH	DC/DC CONVERTER, SINGLE CHANNEL, 3.3 VOLT, HYBRID
<u>5962-9955301HXC</u>	AFL27003.3SX/CH	DC/DC CONVERTER, SINGLE CHANNEL, 3.3 VOLT, HYBRID
<u>5962-9955301HYA</u>	AFL27003.3SY/CH	DC/DC CONVERTER, SINGLE CHANNEL, 3.3 VOLT, HYBRID
<u>5962-9955301HYC</u>	AFL27003.3SY/CH	DC/DC CONVERTER, SINGLE CHANNEL, 3.3 VOLT, HYBRID
<u>5962-9955301HZA</u>	AFL27003.3SZ/CH	DC/DC CONVERTER, SINGLE CHANNEL, 3.3 VOLT, HYBRID
<u>5962-9955301HZC</u>	AFL27003.3SZ/CH	DC/DC CONVERTER, SINGLE CHANNEL, 3.3 VOLT, HYBRID
<u>5962-9960801HUA</u>	AFL12005SW/CH	DC/DC CONVERTER, 80 W, 5 V OUTPUT, HYBRID
<u>5962-9960801HUC</u>	AFL12005SW/CH	DC/DC CONVERTER, 80 W, 5 V OUTPUT, HYBRID
<u>5962-9960801HXA</u>	AFL12005SX/CH	DC/DC CONVERTER, 80 W, 5 V OUTPUT, HYBRID
<u>5962-9960801HXC</u>	AFL12005SX/CH	DC/DC CONVERTER, 80 W, 5 V OUTPUT, HYBRID
<u>5962-9960801HYA</u>	AFL12005SY/CH	DC/DC CONVERTER, 80 W, 5 V OUTPUT, HYBRID
<u>5962-9960801HYC</u>	AFL12005SY/CH	DC/DC CONVERTER, 80 W, 5 V OUTPUT, HYBRID
<u>5962-9960801HZA</u>	AFL12005SZ/CH	DC/DC CONVERTER, 80 W, 5 V OUTPUT, HYBRID
<u>5962-9960801HZC</u>	AFL12005SZ/CH	DC/DC CONVERTER, 80 W, 5 V OUTPUT, HYBRID
<u>5962-9960901HUA</u>	AFL12012DW/CH	DC/DC CONVERTER, 96 W, +/- 12 V OUTPUTS, HYBRID
<u>5962-9960901HUC</u>	AFL12012DW/CH	DC/DC CONVERTER, 96 W, +/- 12 V OUTPUTS, HYBRID
<u>5962-9960901HXA</u>	AFL12012DX/CH	DC/DC CONVERTER, 96 W, +/- 12 V OUTPUTS, HYBRID
<u>5962-9960901HXC</u>	AFL12012DX/CH	DC/DC CONVERTER, 96 W, +/- 12 V OUTPUTS, HYBRID
<u>5962-9960901HYA</u>	AFL12012DY/CH	DC/DC CONVERTER, 96 W, +/- 12 V OUTPUTS, HYBRID
<u>5962-9960901HYC</u>	AFL12012DY/CH	DC/DC CONVERTER, 96 W, +/- 12 V OUTPUTS, HYBRID
<u>5962-9960901HZA</u>	AFL12012DZ/CH	DC/DC CONVERTER, 96 W, +/- 12 V OUTPUTS, HYBRID
<u>5962-9960901HZC</u>	AFL12012DZ/CH	DC/DC CONVERTER, 96 W, +/- 12 V OUTPUTS, HYBRID

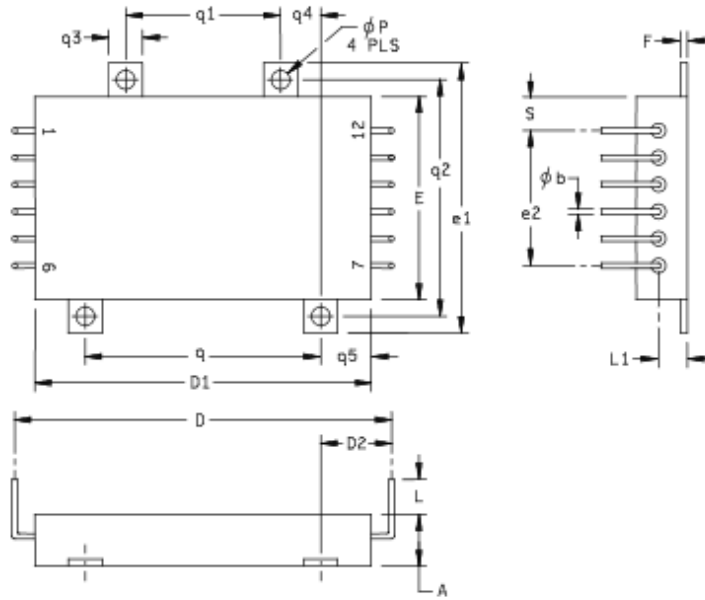
MODEL NUMBER	TYPE	MODEL NUMBER	TYPE
7887	AFL2705SX/HB	8205	AFL2815DX/ES
7888	AFL27015SX/HB	8207	AFL27015DZ/ES
7903	AFL27005SY/HB	8208	AFL27015DZ/HB
7905	AFL27015SY/HB	8217	AFL2808DW/HB
7906	AFL27009SY/HB	8228	AFL27005SZ/HB
7908	AFL27006SY/HB	8231	AFL27028SZ/HB
7910	AFL27005SY/HB	8248	AFL27006SW/ES
7911	AFL27012SY/HB	8249	AFL27028SW/ES
7912	AFL27005DY/HB	8251	AFL27005SW/ES
7913	AFL27005DZ/HB	8264	AFL27015SW/HB
7914	AFL27015DZ/HB	8268	AFL12024SX/ES
7921	AFL27005SZ/HB	8306	AFL27005SZ/ES
7923	AFL27015DZ/HB	8307	AFL27012DZ/ES
7924	AFL27012DYHB	8316	AFL27006.9S
7927	AFL27009SZHB	8326	AFL27003.3S
7928	AFL27006SZ/HB	8327	AFL12005SX
7955	AFL27018.2DW/CH	8334	AFL12005SX/HB
7956	AFL27005.2DW/CH	8335	AFL12012SX/HB
7957	AFL27005.2DW/HB	8336	AFL12015DX/HB
7958	AFL27018.2DW/HB	8337	AFL12028SX/HB
7962	AFL27012SX/HB	8348	AFL2828SZ/HB
7971	AFL2808SX	8354	AFL27005SY/HB
7996	AFL2808SZ-TA	8355	AFL27012DY/HB
8015	AFL27005SX/HB	8356	AFL27015DY/HB
8017	AFL27012SX/HB	8357	AFL27005SX/HB
8039	AFL27005SX/HB	8358	AFL27012DX/HB
8040	AFL27012SX/HB	8359	AFL27015DX/HB
8043	AFL27025SX/HB	8362	AFL2805SZ/CH
8044	AFL27025SX/CH	8363	AFL2805DZ/CH
8044-05	AFL27005SX/HB	8364	AFL2815SZ/CH
8044-12	AFL27012SX/HB	8365	AFL2807.2SZ/CH
8044-25	AFL27025SX/HB	8368	AFL27015SX/HB
8080	AFL27005SX/HB	8376	AFL2828SX/ES
8081	AFL2808SZ	8378	AFL2828SX/CH
8082	AFL27028SXHB	8380	AFL27015DZ/HB
8083	AFL2805SX/HB	8381	AFL27005SZ/HB
8084	AFL27015DX/HB	8382	AFL27028SZ/HB
8107	AFL2805SX/ES	8409	AFL2805SX/CH
8124	AFL2817DX	8410	AFL2808SX/CH
8161	AFL2812SX/HB	8411	AFL2828SX/CH
8170	AFL2812SX/HB	8412	AFL2805DX/CH
8188	AFL2812SY/HB	8413	AFL2812DX/CH
8204	AFL2812DX/ES	8414	AFL2815DX/CH-TA

MODEL NUMBER	TYPE	MODEL NUMBER	TYPE
8418	AFL2802S	8605	AFL27015DX/HB
8419	AFL2803.3S	8617	AFL12003.3SX/CH
8420	AFL2808S	8618	AFL12005DX/CH
8421	AFL2815D	8625	AFL27005SX/CH
8426	AFL2815SW/CH	8633	AFL27010SZ/HB
8427	AFL2815DW/CH	8643	AFL27018.2D
8428	AFL2808SW/CH	8644	AFL2828SY/CH
8429	AFL2806.5DW/CH	8655	AFL2812SX/ES*S
8430	AFL2805SW/CH	8656	AFL2812SX/CH*S
8432	AFL2805SW/CH TYPE	8666	AFL2805SW/CH
8433	AFL2815SW/CH TYPE	8667	AFL27012DY/HB
8434	AFL2815DW/CH TYPE	8669	AFL27003.3SY/ES
8435	AFL2828SW/CH TYPE	8670	AFL27012SY/ES
8463	AFL2828SX/CH	8671	AFL27012DY/ES
8484	AFL2815SW/CH	8672	AFL27005SY/ES
8485	AFL2815DW/CH	8700	AFL27028SZ/ES
8486	AFL2808SW/CH	8708	AFL2803.3SX/CH
8487	AFL2806.5DW/CH	8709	AFL2805SX/CH
8488	AFL2805SW/CH	8710	AFL2812DX/CH
8500	AFL2803.3SX/CH	8730	AFL27015SZ/ES
8501	AFL2805SX/CH	8737	AFL2815SZ/CH
8502	AFL2812DX/CH	8742	AFL27012DX/ES
8503	AFL2818SX/ES	8763	AFL27005SZ/ES
8519	AFL5005SX/CH	8764	AFL27012DZ/ES
8520EM	AFL5015DX	8765	AFL27003.3SZ/ES
8520	AFL5015DX/CH	8791	AFL27005SZ/ES
8521EM	AFL5028SX	8835	AFL2810SZ/EM
8521	AFL5028SX/CH	8856	AFL12005SZ/CH
8526	AFL27015S/CH	8857	AFL12012DZ/CH
8533	AFL2828SZ/CH	8870	AFL2808SX/CH
8533EM	AFL2828SZ	8872	AFL12005SZ/ES
8533QM	AFL2828SZ/CH	8873	AFL12012DZ/ES
8545	AFL12003.3SX/ES	8875/EM	AFL2803R3SX/CH
8546TA	AFL12003.3SX/CH	8891	AFL2815DU/CH
8547	AFL12005DX/ES	8892	AFL2803R4SU/CH
8548	AFL12005DX/CH	8893	AFL2805R1SU/CH
8549	AFL27005SX/ES	8895	AFL2815DU/HB
8552	AFL27028SW/ES	8896	AFL2803R4SU/HB
8575	AFL2812SY/HB	8897	AFL2805R1SU/HB
8578	AFL5015DX/ES	8902	AFL12028SX/HB
8586	AFL27028SZ/CH	8933	AFL2808SX/CH-TA
8593	AFL2828SY/CH	8947	AFL2828SX/CH
8599	AFL27005SX/CH	8955	AFL2803R3SX/CH

MODEL NUMBER	TYPE	MODEL NUMBER	TYPE
8966	AFL2805SZ/CH	AFL12015D	AFL12015D
8967	AFL2812DX/CH	AFL12024S	AFL12024S
8980	AFL12012SZ/CH	AFL12028S/CH	AFL12028S/CH
8981	AFL2812SZ/CH	AFL12028S	AFL12028S
8983	AFL12028SZ/CH	AFL27003R3S	AFL27003R3S
8985	AFL2805SZ/HB	AFL27005D	AFL27005D
8986	AFL2815DZ/HB	AFL27005S	AFL27005S
8988	AFL12005SX/CH	AFL27006S/CH	AFL27006S/CH
8989	AFL12028SX/CH	AFL27006S	AFL27006S
8990	AFL12012DX/CH	AFL27009S/CH	AFL27009S/CH
8991	AFL12012SX/CH	AFL27009S	AFL27009S
10015SC	AFL12015DY/CH	AFL27012D/CH	AFL27012D/CH
10016SC	AFL12012DY/CH	AFL27012D	AFL27012D
10020SC	AFL2805SX/CH	AFL27012S	AFL27012S
10039SC	AFL27006SX/ES	AFL27015D/CH	AFL27015D/CH
10057SC	AFL5015DX/CH	AFL27015D	AFL27015D
10080SC/EM	AFL2812R8SX/CH	AFL27015S/CH	AFL27015S/CH
10081SC/EM	AFL2807SX/CH	AFL27015S	AFL27015S
10197	AFL27005SY/HB	AFL27028S	AFL27028S
10198	AFL27012DY/HB	AFL2802S	AFL2802S
10199	AFL27015DY/HB	AFL2803R3S	AFL2803.3S
10200	AFL2815SW/CH	AFL2803R3S/CH	AFL2803.3S
10201	AFL2815DW/CH	AFL2805D/CH	AFL2805D/CH
10202	AFL2808SW/CH	AFL2805D	AFL2805D
10203	AFL2806R5DW/CH	AFL2805S/CH	AFL2805S/CH
10204	AFL2805SW/CH	AFL2805S	AFL2805S
AFL12003R3S	AFL12003R3S	AFL2807S	AFL2807S
AFL12003R3S/CH	AFL12003R3S/CH	AFL2807S/CH	AFL2807S/CH
AFL12005D	AFL12005D	AFL2808S/CH	AFL2808S/CH
AFL12005D/CH	AFL12005D/CH	AFL2808S	AFL2808S
AFL12005S/CH	AFL12005S/CH	AFL2809S/CH	AFL2809S*/CH
AFL12005S	AFL12005S	AFL2809S	AFL2809S
AFL12008S	AFL12008S	AFL2812D/CH	AFL2812D/CH
AFL12008S/CH	AFL12008S	AFL2812D	AFL2812D
AFL12009S	AFL12009S	AFL2812S/CH	AFL2812S/CH
AFL12009S/CH	AFL12009S*/CH	AFL2812S	AFL2812S
AFL12012D/CH	AFL12012D/CH	AFL2815D/CH	AFL2815D/CH
AFL12012D	AFL12012D	AFL2815D	AFL2815D
AFL12012S/CH	AFL12012S/CH	AFL2815S/CH	AFL2815S/CH
AFL12012S	AFL12012S	AFL2815S	AFL2815S
AFL12015S/CH	AFL12015S/CH	AFL2828S/CH	AFL2828S/CH
AFL12015S	AFL12015S	AFL2828S	AFL2828S-TA
AFL12015D/CH	AFL12015D/CH	AFL5005D	AFL5005D-TA

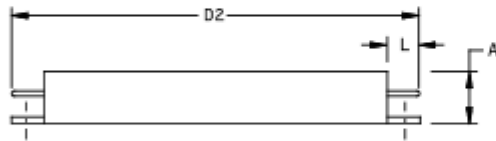
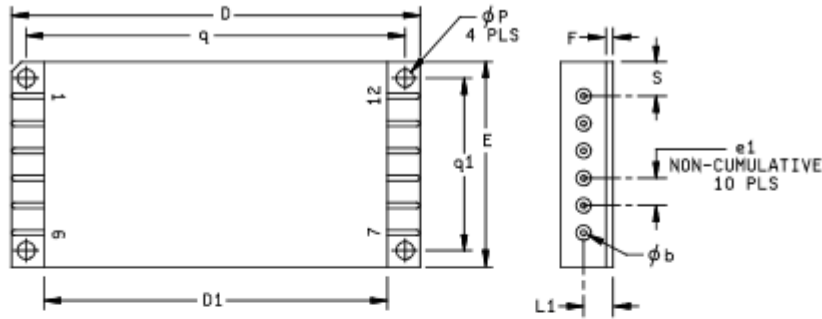
MODEL NUMBER	TYPE
AFL5005S/CH	AFL5005S/CH
AFL5005S	AFL5005S
AFL5007S	AFL5007S
AFL5008S	AFL5008S
AFL5009S	AFL5009S*
AFL5012D	AFL5012D
AFL5012S/CH	AFL5012S/CH
AFL5012S	AFL5012S
AFL5015D/CH	AFL5015D/CH
AFL5015D	AFL5015D
AFL5015S/CH	AFL5015S/CH
AFL5015S	AFL5015S
AFL5028S/CH	AFL5028S/CH
AFL5028S	AFL5028S

Case outline U.



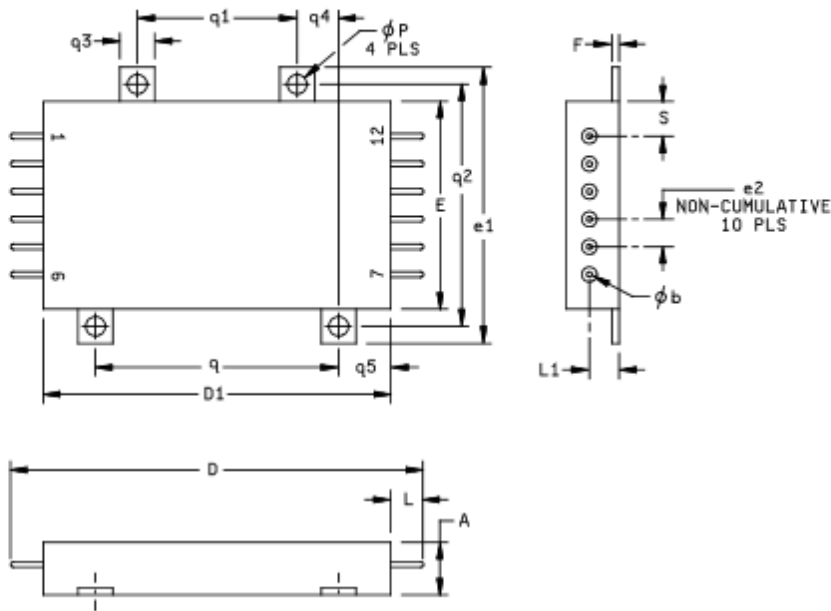
Symbol	Millimeters		Inches	
	Min	Max	Min	Max
A		9.65		.380
D	70.35	71.96	2.770	2.833
D1	63.37	63.63	2.495	2.505
D2	13.08	13.59	.515	.535
E	37.97	38.23	1.495	1.505
e1	50.6	51.1	1.99	2.01
e2	25.27	25.53	.995	1.005
F	1.14	1.40	.045	.055
L	10.4	10.9	.41	.43
L1	5.33	5.84	.210	.230
q	44.32	44.58	1.745	1.755
q1	29.08	29.34	1.145	1.155
q2	44.32	44.58	1.745	1.755
q3	6.1	6.6	.24	.26
q4	7.49	7.75	.295	.305
q5	9.40	9.65	.370	.380
S	6.22	6.48	.245	.255
ϕ_b	0.89	1.14	.035	.045
ϕ_p	3.43	3.68	.135	.145

Case outline X.



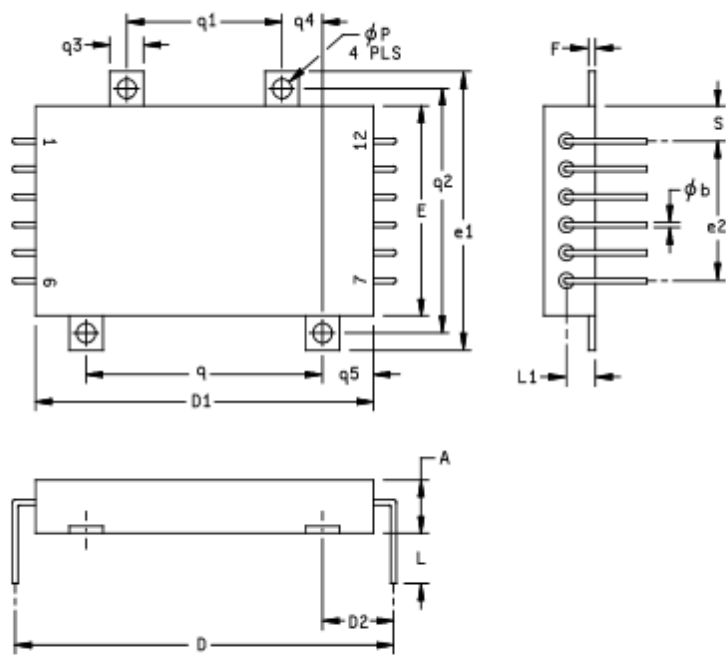
Symbol	Millimeters		Inches	
	Min	Max	Min	Max
A		9.65		.380
D	76.07	76.33	2.995	3.005
D1	63.37	63.63	2.495	2.505
D2		76.23		3.001
E	37.97	38.23	1.495	1.505
e_1	4.95	5.21	.195	.205
F	1.14	1.40	.045	.055
L		6.30		.248
L1	5.34	5.84	.210	.230
q	69.98	70.23	2.755	2.765
q1	31.88	32.13	1.255	1.265
S	6.22	6.48	.245	.255
ϕb	0.89	1.14	.035	.045
ϕp	3.12	3.38	.123	.133

Case outline Y.



Symbol	Millimeters		Inches	
	Min	Max	Min	Max
A		9.65		.380
D		76.23		3.001
D1	63.37	63.63	2.495	2.505
E	37.97	38.23	1.495	1.505
e1	50.6	51.1	1.99	2.01
e2	4.95	5.21	.195	.205
F	1.14	1.40	.045	.055
L		6.30		.248
L1	5.34	5.84	.210	.230
q	44.32	44.58	1.745	1.755
q1	29.08	29.34	1.145	1.155
q2	44.32	44.58	1.745	1.755
q3	6.1	6.6	.24	.26
q4	7.49	7.75	.295	.305
q5	9.40	9.65	.370	.380
S	6.22	6.48	.245	.255
ϕb	0.89	1.14	.035	.045
ϕp	3.43	3.68	.135	.145

Case outline Z.



Symbol	Millimeters		Inches	
	Min	Max	Min	Max
A		9.65		.380
D	70.35	71.96	2.770	2.833
D1	63.37	63.63	2.495	2.505
D2	13.08	13.59	.515	.535
E	37.97	38.23	1.495	1.505
e1	50.6	51.1	1.99	2.01
e2	25.27	25.53	.995	1.005
F	1.14	1.40	.045	.055
L	8.9	9.4	.35	.37
L1	5.33	5.84	.210	.230
q	44.32	44.58	1.745	1.755
q1	29.08	29.34	1.145	1.155
q2	44.32	44.58	1.745	1.755
q3	6.1	6.6	.24	.26
q4	7.49	7.75	.295	.305
q5	9.40	9.65	.370	.380
S	6.22	6.48	.245	.255
Øb	0.89	1.14	.035	.045
Øp	3.43	3.68	.135	.145