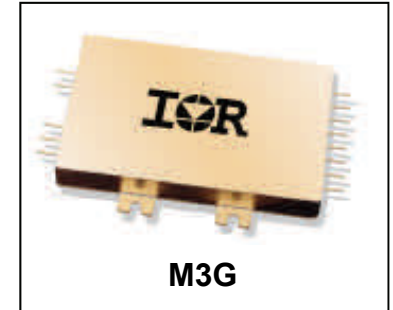


HYBRID-HIGH RELIABILITY RADIATION HARDENED DC-DC CONVERTER

50V Input, Single/Dual Output



Description

The M3G-Series of DC-DC converters are radiation hardened, high reliability converters designed for extended operation in hostile environments. Their small size and low weight make them ideal for applications such as geostationary earth orbit satellites and deep space probes. They exhibit a high tolerance to total ionizing dose, single event effects and environmental stresses such as temperature extremes, mechanical shock, and vibration.

The converters incorporate a fixed frequency single ended forward topology with magnetic feedback and an internal EMI filter that utilizes multilayer ceramic capacitors that are subjected to extensive lot screening for optimum reliability. By using two stage filtering these converters produce low input and output noise. External inhibit and synchronization input and output allow these converters to be easily incorporated into larger power systems. They are enclosed in a hermetic 3" x 2" x 0.475" package constructed of an Aluminum-Silicon-Carbide (AlSiC) base and an Alloy 48 ring frame and they weigh less than 110 grams. The package utilizes rugged ceramic feed-through copper core pins and is sealed using parallel seam welding.

Manufactured in a facility fully qualified to MIL-PRF-38534, these converters are fabricated utilizing DLA Land and Maritime qualified processes. For available screening options, refer to device screening table in the data sheet.

Non-flight versions of the M3G-Series converters are available for system development purposes. Variations in electrical specifications and screening to meet custom requirements can be accommodated.

Features

- Total Dose > 200 kRads(Si)
typically usable to > 300 kRads(Si)
- SEE Hardened to LET up to 82 MeV.cm²/mg
- Low Weight < 110 grams
- Low Input & Output Noise
- Magnetically Coupled Feedback
- 38V to 60V DC Input Range
- Up to 40W Output Power
- Single and Dual Output Models Include
3.3, 5, 12, 15, ±5, ±12 and ±15V
- High Efficiency - to 82%
- -55°C to +125°C Operating Temperature Range
- 100MΩ @ 500VDC Isolation
- Under-Voltage Lockout
- Short Circuit and Overload Protection
- Output Over Voltage Limiter
- Remote Sense on Single Output Models
- Adjustable Output Voltage
- Synchronization Input and Output
- External Inhibit
- > 5,000,000 hour MTBF

Applications

- Geostationary Earth Orbit Satellites (GEO)
- Deep Space Satellites / Probes
- Strategic Weapons and Communication System

Circuit Description

The M3G-Series converters utilize a single-ended forward topology with resonant reset. The nominal switching frequency is 500 kHz. Electrical isolation and tight output regulation are achieved through the use of a magnetically coupled feedback. Voltage feed-forward with duty factor limiting provides high line rejection.

An internal EMI filter reduces the conducted emissions to less than 5mArms on the input power leads. A two-stage output filter reduces the typical output ripple to less than 20mVpeak-to-peak.

Output current is limited under any load fault condition to approximately 125% of rated. An overload condition causes the converter output to behave like a constant current source with the output voltage dropping below nominal. The converter will resume normal operation when the load current is reduced below the current limit point. This protects the converter from both overload and short circuit conditions. The current limit point exhibits a slightly negative temperature coefficient to reduce the possibility of thermal runaway.

An under-voltage lockout circuit prohibits the converter from operating when the line voltage is too low to maintain the output voltage. The converter will not start until the line voltage rises to approximately 36 volts and will shut down when the input voltage drops below 34 volts. The two volts of hysteresis reduces the possibility of line noise interfering with the converter's start-up and shut down.

An external inhibit port is provided to control converter operation. The nominal threshold relative to the input return (pin 2) is 1.4V. If 2.0 volts or greater are applied to the Inhibit pin (pin 3) then the converter will operate normally. A voltage of 0.8V or less will cause the converter to shut-down. The pin may be left open for normal operation and has a nominal open circuit voltage of 4.0V.

Synchronization input and output allow multiple converters to operate at a common switching frequency. Converters can be synchronized to one another or to an externally provided clock. This can be used to eliminate beat frequency noise or to avoid creating noise at certain frequencies for sensitive systems.

Remote sense is provided on the single output models to compensate for voltage drops in the interconnects between the converter and the load. The output voltage of dual output models can be adjusted by a single external resistor.

Design Methodology

The M3G-Series was developed using a proven conservative design methodology which includes selecting radiation tolerant and established reliability components and fully de-rating to the requirements of MIL-STD-975 and MIL-STD-1547 except for the CDR type ceramic capacitors, a capacitor with 50V rating is used for in-circuit voltage stress of less than 10V. Careful sizing of decoupling capacitors and current limiting resistors minimizes the possibility of photo-current burn-out. Heavy de-rating of the radiation hardened power MOSFET virtually eliminates the possibility of SEGR and SEB. A magnetic feedback circuit is utilized instead of opto-couplers to minimize temperature, radiation and aging sensitivity. PSPICE and Rad SPICE were used extensively to predict and optimize circuit performance for both beginning and end-of-life. Thorough design analyses include Radiation Susceptibility (TREE), Worst Case, Stress, Thermal, Failure Modes and Effects (FMEA) and Reliability (MTBF).

Specifications

Absolute Maximum Ratings		Recommended Operating Conditions	
Input Voltage	-0.5Vdc to +80V _{DC}	Input Voltage	+38V _{DC} to +60V _{DC}
Output power	Internally limited	Output power	0 to Max. Rated
Lead Temperature	+300°C for 10 seconds	Operating case temperature ¹	-55°C to +125°C
Operating temperature	-55°C to +135°C		
Storage temperature	-55°C to +135°C		

¹ For operation at +125°C see table Note 13

Electrical Performance Characteristics

Parameter	Group A Subgroup	Conditions -55°C ≤ T _C ≤ +85°C V _{IN} = 50V DC ± 5%, C _L = 0 unless otherwise specified	Limits			Unit
			Min	Nom	Max	
Input Voltage			38	50	60	V
Output Voltage (V _{OUT})						
M3G5003R3S	1	I _{OUT} = 100% rated load Note 4	3.28	3.30	3.32	V
M3G5005S	1		4.98	5.00	5.02	
M3G5012S	1		11.95	12.00	12.05	
M3G5015S	1		14.94	15.00	15.06	
M3G5005D	1		±4.98	±5.00	±5.02	
M3G5012D	1		±11.95	±12.00	±12.05	
M3G5015D	1		±14.94	±15.00	±15.06	
M3G5003R3S	2,3	I _{OUT} = 100% rated load Note 4	3.24		3.36	
M3G5005S	2,3		4.93		5.07	
M3G5012S	2,3		11.84		12.16	
M3G5015S	2,3		14.80		15.20	
M3G5005D	2,3		±4.93		±5.07	
M3G5012D	2,3		±11.84		±12.16	
M3G5015D	2,3		±14.80		±15.20	
Output power (P _{OUT})						
M3G5003R3S	1,2,3	V _{IN} = 38, 50, 60 Volts, Note 2	0		30	W
All Others			0		40	
Output current (I _{OUT})						
M3G5003R3S	1,2,3	V _{IN} = 38, 50, 60 Volts, Note 2	0		9.1	A
M3G5005S			0		8.0	
M3G5012S			0		3.34	
M3G5015S			0		2.67	
M3G5005D			0	Either Output, Note 3	6.4	
M3G5012D			0	Either Output, Note 3	2.67	
M3G5015D			0	Either Output, Note 3	2.14	
Line regulation (VR _{LINE})	1,2,3	V _{IN} = 38, 50, 60 Volts I _{OUT} = 0, 50%, 100% rated, Note 4	-10		10	mV
Load regulation (VR _{LOAD})	1,2,3	I _{OUT} = 0, 50%, 100% rated, Note 4 V _{IN} = 38, 50, 60 Volts	-0.5		0.5	%
Cross regulation (VR _{CROSS})						
M3G5005D	1,2,3	Duals only, Note 5 V _{IN} = 38, 50, 60 Volts	-5.0		5.0	%
M3G5012D			-3.0		3.0	
M3G5015D			-3.0		3.0	

For Notes to Electrical Performance Characteristics, refer to page 5

Electrical Performance Characteristics (continued)

Parameter	Group A Subgroup	Conditions -55°C ≤ T _C ≤ +85°C V _{IN} = 50V DC ± 5%, C _L = 0 unless otherwise specified	Limits			Unit
			Min	Nom	Max	
Input current (I _{IN}) M3G5003R3S M3G5005S M3G5012S M3G5015S M3G5005D M3G5012D M3G5015D	1,2,3	I _{OUT} = 0, Pin 3 open		30 30 30 30 30 30 30	80 80 50 80 50 80 80	mA
		Pin 3 shorted to pin 2		2.0	5.0	
Output ripple (V _{RIP}) M3G5003R3S M3G5005S M3G5012S M3G5015S M3G5005D M3G5012D M3G5015D	1,2,3	V _{IN} = 38, 50, 60 Volts I _{OUT} = 100% rated load Notes 4, 6		15 20 25 25 20 30 30	35 50 60 80 50 60 60	mVp-p
Input ripple current	1,2,3	I _{OUT} = 100% rated load		2.0	5.0	mArms
Switching frequency (F _S)	1,2,3	Sync. Input (Pin 4) open	450	500	550	kHz
Efficiency (E _{FF}) M3G5003R3S M3G5005S M3G5012S M3G5015S M3G5005D M3G5012D M3G5015D	1,2,3	I _{OUT} = 100% rated load Note 4	68 72 78 75 77 76 72	75 81 82 83 81 82 83		%
Inhibit Input open circuit voltage drive current (sink) voltage range	1,2,3	Note 1	3.0 -0.5		5.0 100 50	V μA V
Synchronization Input frequency range pulse high level pulse low level pulse transition time pulse duty cycle	1,2,3	Ext. Clock on Sync. Input (Pin 4) Note 1	450 4.0 -0.5 40 20		600 10 0.5 80	kHz V V V/μs %
Current limit point Expressed as a percentage of full rated load current	1,2,3	V _{OUT} = 90% of Nominal, Note 4			135	%
Power dissipation, load fault (P _D)	1,2,3	Short Circuit, Overload, Note 8			20	W

For Notes to Electrical Performance Characteristics, refer to page 5

Electrical Performance Characteristics (continued)

Parameter	Group A Subgroup	Conditions -55°C ≤ T _C ≤ +85°C V _{IN} = 50V DC ± 5%, C _L = 0 unless otherwise specified	Limits			Unit
			Min	Nom	Max	
Output response to step load changes (V _{TLD})	4,5,6	Half Load to/from Full Load, Notes 4,9	-300		300	mVpk
Recovery time, step load changes (T _{TLD})	4,5,6	Half Load to/from Full Load, Notes 4,9,10		50	200	μs
Output response to step line changes (V _{TLN})	4,5,6	40V to/from 60V I _{OUT} = 100% rated load, Notes 1, 4, 11	-300		300	mVpk
Recovery time, step line changes (T _{TLN})	4,5,6	40V to/from 60V I _{OUT} = 100% rated load, Notes 1,4,10,11	50		200	μs
Capacitive load (C _L) M3G5003R3S M3G5005S M3G5012S M3G5015S M3G5005D M3G5012D M3G5015D		I _{OUT} = 100% rated load No effect on DC performance Notes 1, 4, 7 Each output on duals			2200 1000 180 120 500 90 60	μF
Turn –on Response Overshoot (V _{OS}) Turn-on Delay (T _{DLY})	4,5,6	No Load, Full Load Notes 4, 12	1.0		10 5.0	% ms
Line Rejection		I _{OUT} = 100% rated load DC to 50 kHz, Notes 1, 4	40	60		dB
Isolation	1	Input to Output or Any Pin to Case except Pin 6, test @ 500VDC	100			MΩ
Device Weight					110	g
MTBF		MIL-HDBK-217F2, SF, 35°C	6.0 x 10 ⁶			Hrs

Notes: Electrical Performance Characteristics Table

- Parameter is tested as part of design characterization or after design changes. Thereafter, parameter shall be guaranteed to the limits specified.
- Parameter verified during line and load regulation tests.
- Output load current must be distributed such that at least 20% of the total load current is being provided by one of the outputs.
- Load current split equally between outputs on dual output models.
- Cross regulation is measured with 20% rated load on output under test while changing the load on the other output from 20% to 80% of rated.
- Guaranteed for a D.C. to 20 MHz bandwidth. Tested using a 20 kHz to 10 MHz bandwidth.
- Capacitive load may be any value from 0 to the maximum limit without compromising dc performance. A capacitive load in excess of the maximum limit may interfere with the proper operation of the converter's overload protection, causing erratic behavior during turn-on.
- Overload power dissipation is defined as the device power dissipation with the load set such that V_{OUT} = 90% of nominal.
- Load step transition time ≥ 10 μs.
- Recovery time is measured from the initiation of the transient to where V_{OUT} has returned to within ±1% of its steady state value.
- Line step transition time ≥ 100 μs.
- Turn-on delay time from either a step application of input power or a logic low to a logic high transition on the inhibit pin (pin 3) to the point where V_{OUT} = 90% of nominal.
- Although operation at temperatures between +85°C and +125°C is guaranteed, no parametric limits are specified.

Fig 1. Block Diagram - Single Output

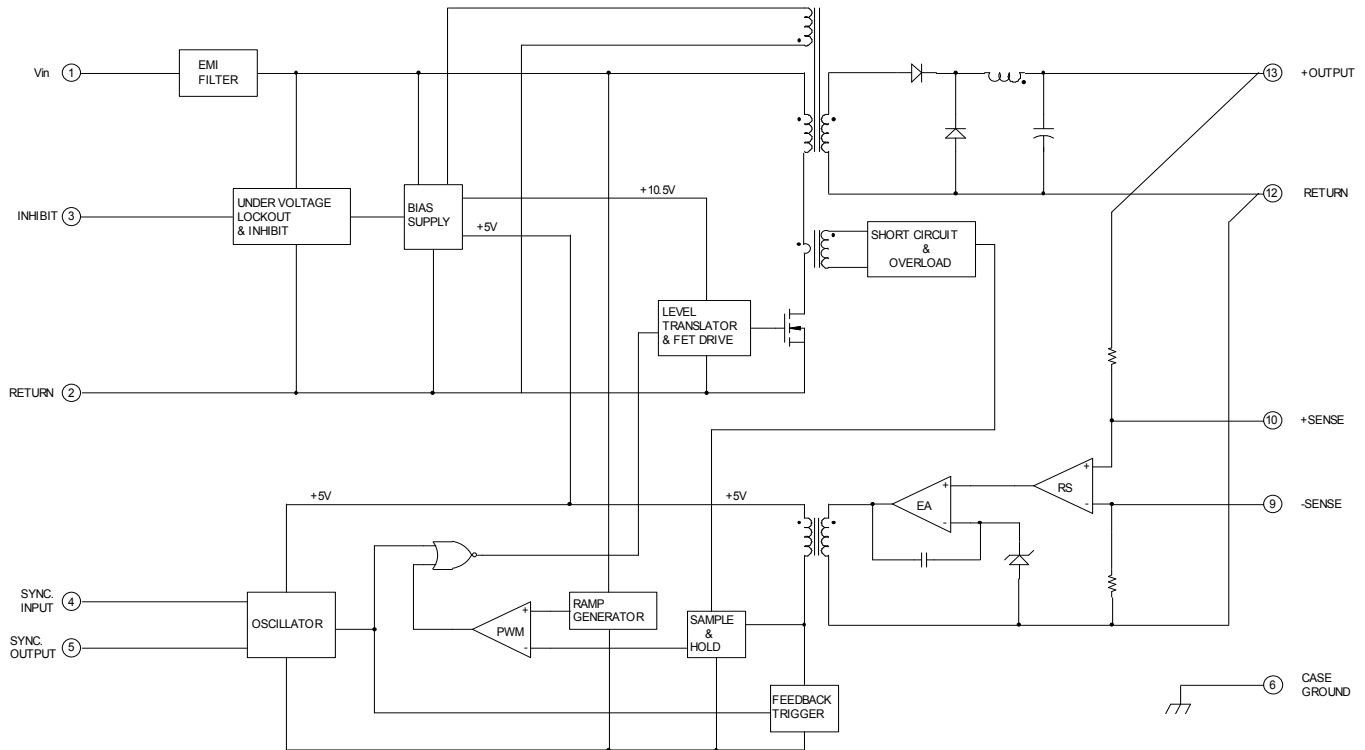
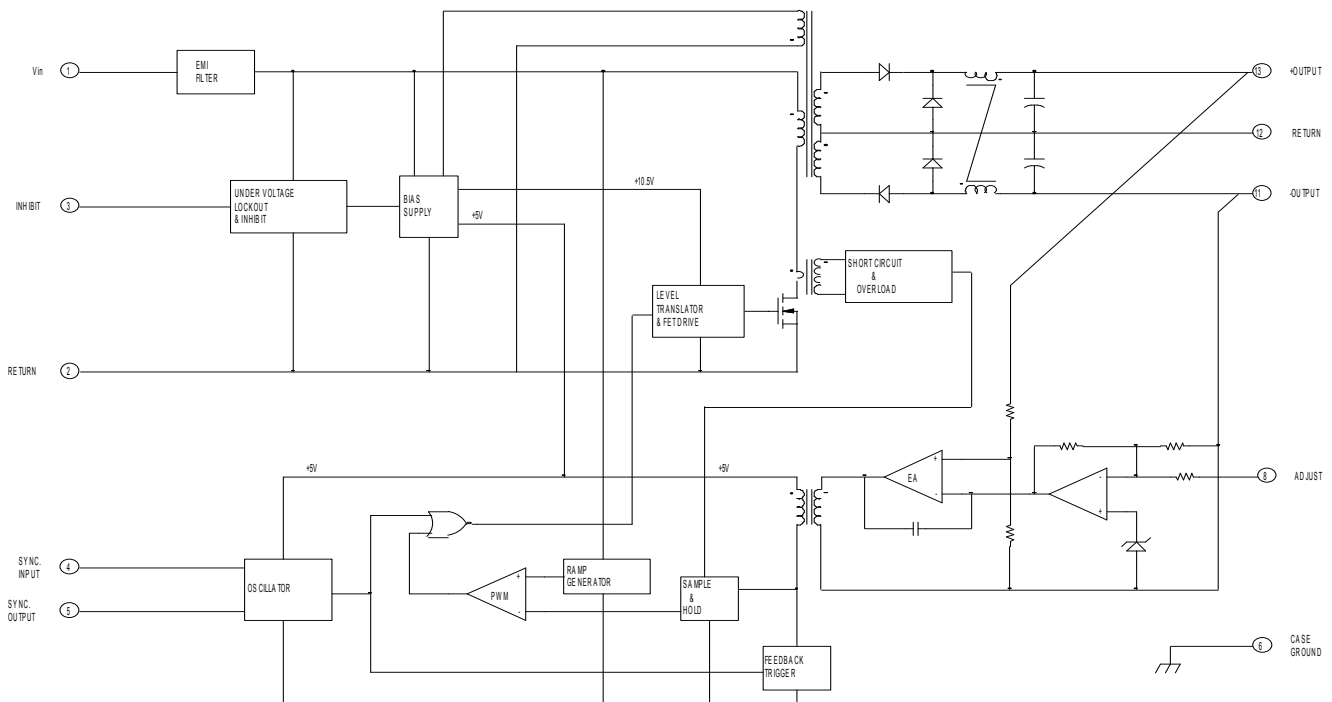


Fig 2. Block Diagram - Dual Output



Radiation Performance Characteristics

Test	Conditions	Min	Typ	Unit
Total Ionizing Dose (Gamma)	MIL-STD-883, Method 1019 Operating bias applied during exposure Full Rated Load $V_{IN} = 50V$	200	300	kRads (Si)
Dose Rate (Gamma Dot) Temporary Saturation Survival	MIL-STD-883, Method 1023 Operating bias applied during exposure Full Rated Load $V_{IN} = 50V$	1E8 4E10	1E11	Rads (Si)/sec
Neutron Fluence	MIL-STD-883, Method 1017	8E12	1E13	Neutrons/cm ²
Single Event Effects SEU, SEL, SEGR, SEB	Heavy ions (LET) Operating bias applied during exposure Full Rated Load $V_{IN} = 50V$ Test lab: Brookhaven National Laboratory, Tandem Van De Graaff Generator	82		MeV.cm ² /mg

IR HiRel currently does not have a DLA Land and Maritime certified Radiation Hardness Assurance Program.

Application Notes:

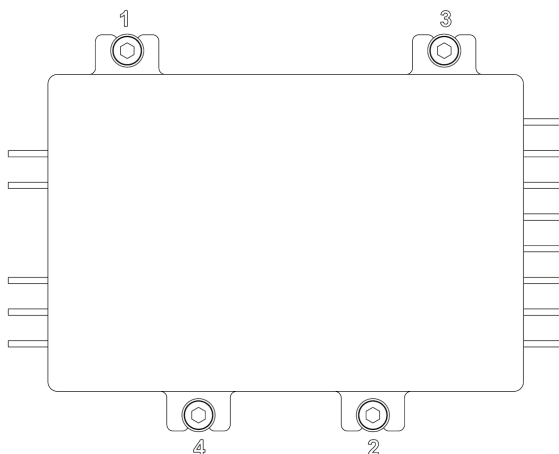
A) Attachment of the Converter

The following procedure is recommended for mounting the converter for optimum cooling and to circumvent any potential damage to the converter.

Ensure that flatness of the plate where M3G converter to be mounted is no greater than 0.003” per linear inch. It is recommended that a thermally conductive gasket is used to promote the thermal transfer and to fill any voids existing between the two surfaces. IR HiRel recommends Sil-Pad 2000 with the thickness of 0.010”. The shape of the gasket should match the footprint of the converter including the mounting flanges. The gasket is available from IR HiRel . The M3G-series converter requires either M3 or 4-40 size screws for attachment purposes.

The procedure for mounting the converter is as follows:

1. Check all mounting surfaces and remove foreign material, burrs, if any or anything that may interfere with the attachment of the converter.
2. Place the gasket on the surface reserved for the converter and line it up with the mounting holes.
3. Place the converter on the gasket and line both up with mounting holes.
4. Install screws using appropriate washers and tighten by hand (~ 4 in·oz) in the sequence shown below.



5. Tighten the screws with an appropriate torque driver. Torque the screws up to 6 in·lb in the sequence shown above.

B) Output Voltage Adjustment.

Single Output:

Adjustment of the output voltage requires the +Sense pin be connected in one of two ways as shown in Fig 3 and 4 below. Use the equations and circuit configurations provided to calculate the required resistance (R_{ADJ}) for the applicable voltage adjust range. The output adjustment is limited to 0 to +10% range for reliable operation.

Fig 3. Configuration for Adjusting Single Output Voltage from +0.25V to +10%

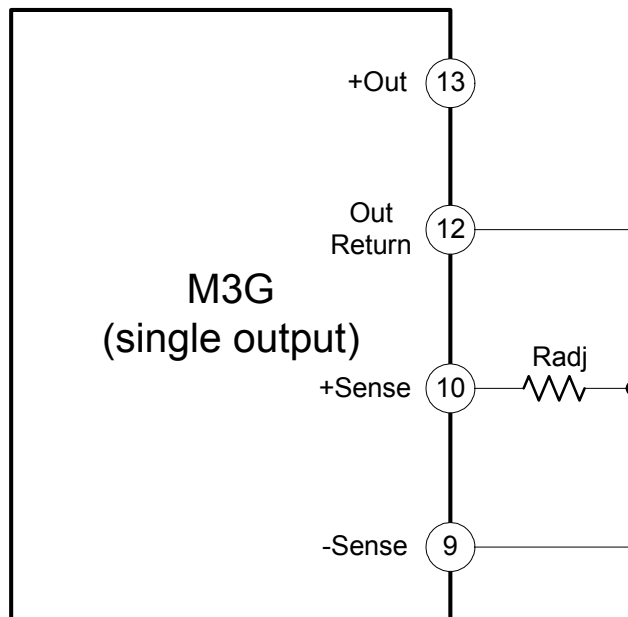
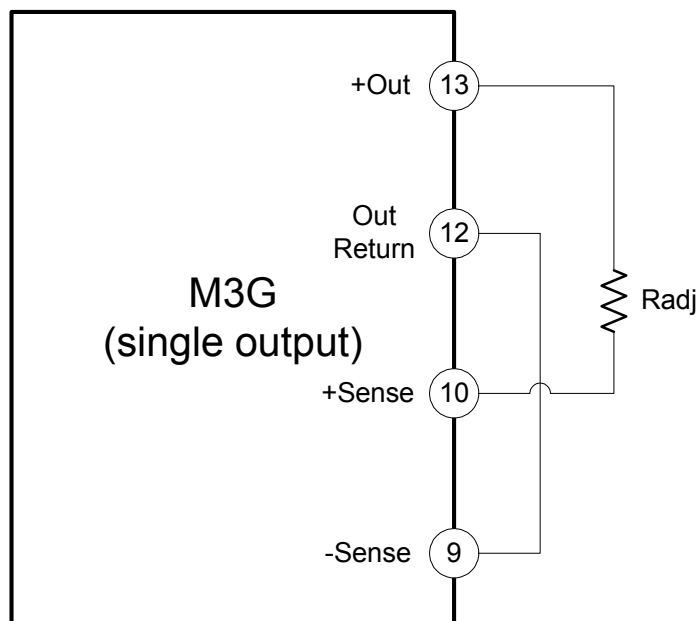


Fig 4. Configuration for Adjusting Single Output Voltage from 0 to +0.25V



For **M3GXX03R3S:**

Using the configuration of Fig 3 and where R_{ADJ} is in Ohms and $3.513 < V_{OUT} < 3.630$

$$R_{ADJ} = \frac{495}{V_{OUT} - 3.513}$$

Using the configuration of Fig 4 and where R_{ADJ} is in Ohms and $3.300 < V_{OUT} < 3.513$

$$R_{ADJ} = 150 \frac{(V_{OUT} - 3.300)}{(3.513 - V_{OUT})}$$

For **M3GXX05S:**

Using the configuration of Fig 3 and where R_{ADJ} is in Ohms and $5.250 < V_{OUT} < 5.500$

$$R_{ADJ} = \frac{750}{V_{OUT} - 5.25}$$

Using the configuration of Fig 4 and where R_{ADJ} is in Ohms and $5.500 < V_{OUT} < 5.250$

$$R_{ADJ} = 150 \frac{(V_{OUT} - 5.000)}{(5.250 - V_{OUT})}$$

For **M3GXX12S:**

Using the configuration of Fig 3 and where R_{ADJ} is in Ohms and $12.312 < V_{OUT} < 13.200$

$$R_{ADJ} = \frac{1800}{V_{OUT} - 12.312}$$

Using the configuration of Fig 4 and where R_{ADJ} is in Ohms and $12.000 < V_{OUT} < 12.312$

$$R_{ADJ} = 150 \frac{(V_{OUT} - 12.000)}{(12.312 - V_{OUT})}$$

For **M3GXX15S:**

Using the configuration of Fig 3 and where R_{ADJ} is in Ohms and $15.315 < V_{OUT} < 16.500$

$$R_{ADJ} = \frac{2250}{V_{OUT} - 15.315}$$

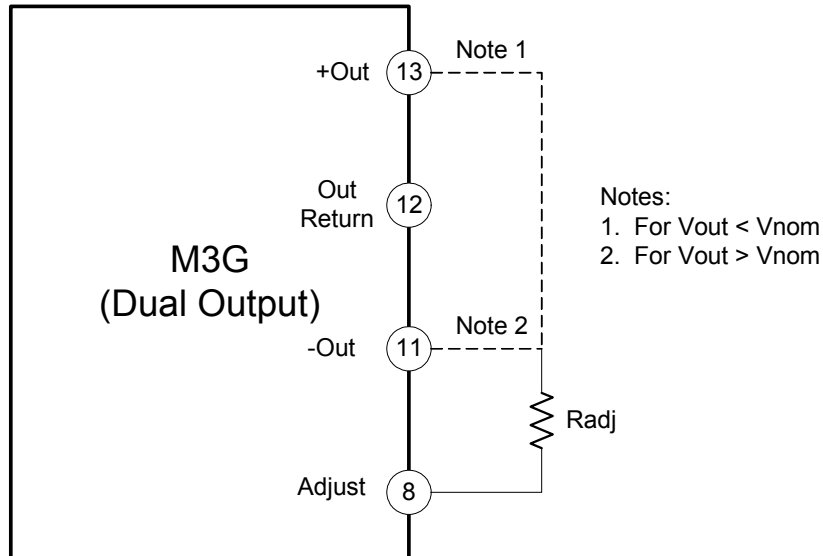
Using the configuration of Fig 4 and where R_{ADJ} is in Ohms and $15.000 < V_{OUT} < 15.315$

$$R_{ADJ} = 150 \frac{(V_{OUT} - 15.000)}{(15.315 - V_{OUT})}$$

Dual Output:

The dual output models have an Adjust pin which can be connected through a resistor (R_{ADJ}) to either output. This allows the outputs to be reliably adjusted by approximately +10% to -25% of the nominal output voltage. Refer to Fig 5 and use equations provided to calculate the required resistance (R_{ADJ}).

Fig 5. Configuration for Adjusting Dual Output Voltage



For **all Dual Output Models**, to adjust the output voltage higher:

$$R_{ADJ} = \frac{3.48 (1.64V_{NOM} - 1)}{V_{OUT} - V_{NOM}} - 51$$

where: R_{ADJ} is in kOhms

R_{ADJ} is connected to -Out pin and $V_{NOM} < V_{OUT} < 1.1V_{NOM}$ (Fig. 5, Note 2)

V_{NOM} is the nominal output voltage with the Adjust pin left open

V_{OUT} is the desired output voltage

For **all Dual Output Models**, to adjust the output voltage lower:

$$R_{ADJ} = \frac{3.48 (1.64V_{NOM} - 1)(1.64V_{OUT} - 1)}{V_{NOM} - V_{OUT}} - 51$$

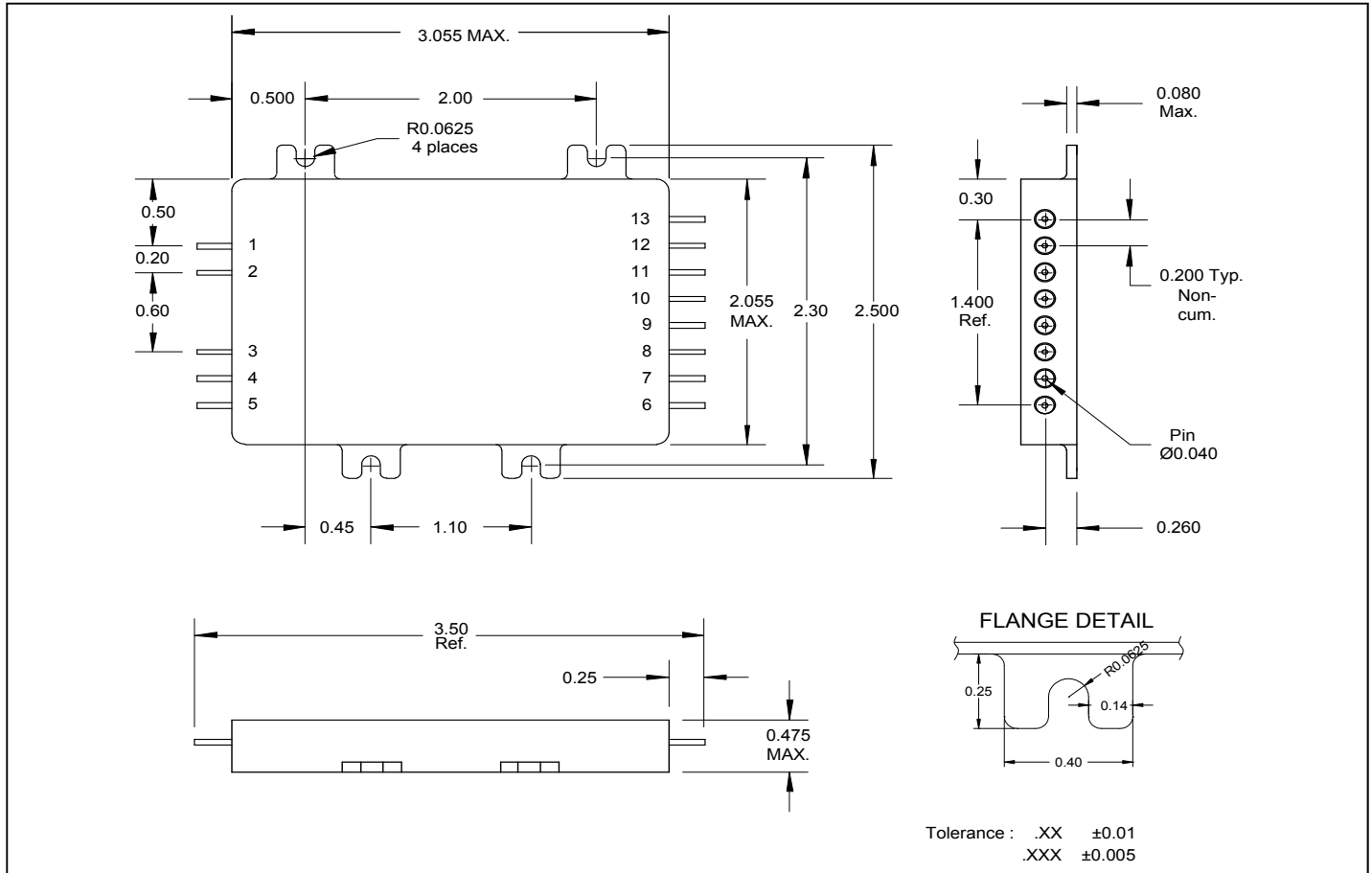
where: R_{ADJ} is in kOhms

R_{ADJ} is connected to +Out pin and $0.75V_{NOM} < V_{OUT} < V_{NOM}$ (Fig. 5, Note 1)

V_{NOM} is the nominal output voltage with the Adjust pin left open

V_{OUT} is the desired output voltage

Mechanical Outline



Pin Designation (Single/Dual)

Pin #	Designation	Pin #	Designation
1	+ Input	8	NC/ Adjust
2	Input Return	9	- Sense / NC
3	Inhibit	10	+ Sense / NC
4	Sync. Input	11	NC / - Output
5	Sync. Output	12	Output Return
6	Case Ground	13	+ Output
7	NC		

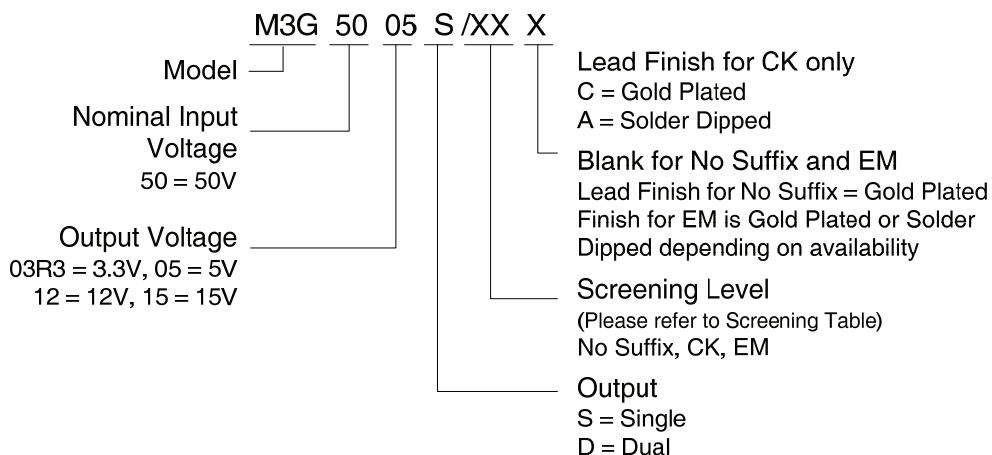
Device Screening

Requirement	MIL-STD-883 Method	No Suffix ②	CK ②	EM ③
Temperature Range	—	-55°C to +85°C	-55°C to +85°C	-55°C to +85°C
Element Evaluation	MIL-PRF-38534	Class K	Class K	N/A
Non-Destructive Bond Pull	2023	Yes	Yes	N/A
Internal Visual	2017	Yes	Yes	①
Temperature Cycle	1010	Cond C	Cond C	Cond C
Constant Acceleration	2001, Y1 Axis	3000 Gs	3000 Gs	3000 Gs
PIND	2020	Cond A	Cond A	N/A
Burn-In	1015	320 hrs @ 125°C (2 x 160 hrs)	320 hrs @ 125°C (2 x 160 hrs)	48 hrs @ 125°C
Final Electrical (Group A)	MIL-PRF-38534 & Specification	-55°C, +25°C, +85°C	-55°C, +25°C, +85°C	-55°C, +25°C, +85°C
PDA	MIL-PRF-38534	2%	2%	N/A
Seal, Fine and Gross	1014	Cond A, C	Cond A, C	Cond A
Radiographic	2012	Yes	Yes	N/A
External Visual	2009	Yes	Yes	①

Notes:

- ① Best commercial practice.
- ② CK is a DLA Land and Maritime (formerly DSCC) part marking used to designate a Class K compliant hybrid. The CK marking does not indicate the hybrid is radiation certified. No Suffix is a radiation rated device but not available as a DLA Land and Maritime qualified SMD per MIL-PRF-38534.
- ③ Any Engineering Model (EM) build with the “EM” Suffix shall only be form, fit and functional equivalent to its Flight Model (FM) counterpart, and it may not meet the radiation performance. The EM Model shall not be expected comply with MIL-PRF-38534 flight quality/workmanship standards, and configuration control. An EM build may use electrical equivalent commercial grade components. IR HiRel will provide a list of non-compliance items upon request.

Part Numbering



IMPORTANT NOTICE

The information given in this document shall be in no event regarded as guarantee of conditions or characteristic. The data contained herein is a characterization of the component based on internal standards and is intended to demonstrate and provide guidance for typical part performance. It will require further evaluation, qualification and analysis to determine suitability in the application environment to confirm compliance to your system requirements.

With respect to any example hints or any typical values stated herein and/or any information regarding the application of the product, Infineon Technologies hereby disclaims any and all warranties and liabilities of any kind including without limitation warranties on non- infringement of intellectual property rights and any third party.

In addition, any information given in this document is subject to customer's compliance with its obligations stated in this document and any applicable legal requirements, norms and standards concerning customer's product and any use of the product of Infineon Technologies in customer's applications.

The data contained in this document is exclusively intended for technically trained staff. It is the responsibility of any customer's technical departments to evaluate the suitability of the product for the intended applications and the completeness of the product information given in this document with respect to applications.

For further information on the product, technology, delivery terms and conditions and prices, please contact your local sales representative or go to (www.infineon.com/hirel).

WARNING

Due to technical requirements products may contain dangerous substances. For information on the types in question, please contact your nearest Infineon Technologies office.