

**HEXFRED
ULTRAFast, SOFT RECOVERY DIODE**

$V_R = 1200V$
$V_F = 3.0V$
$Q_{RR} = 675nC$

Features

- Reduced RFI and EMI
- Reduced Snubbing
- Extensive Characterization of Recovery Parameters
- Hermetically Sealed
- Ceramic Eyelets

Description

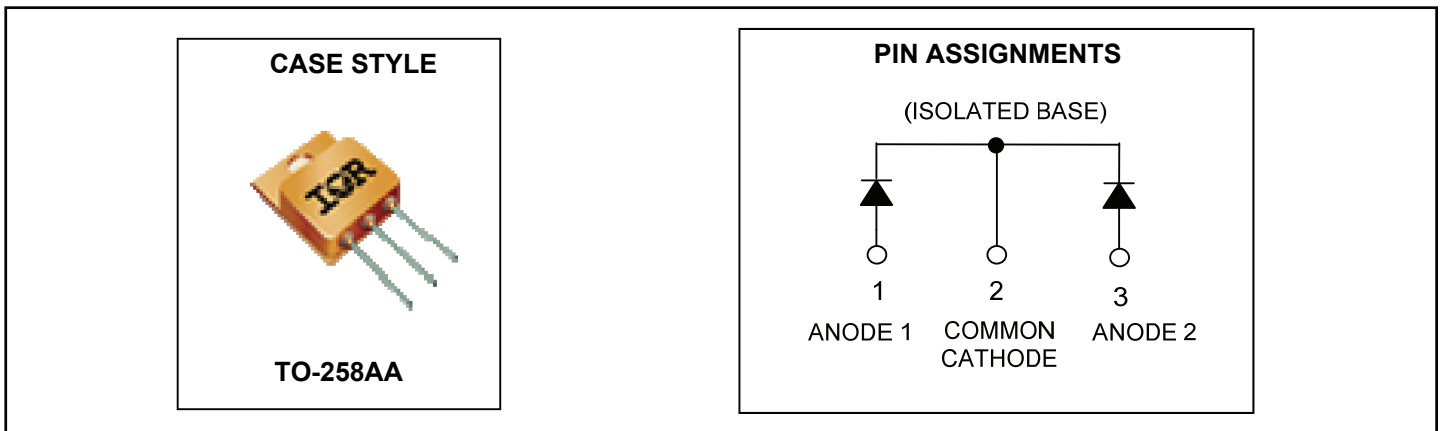
These diodes are optimized to reduce losses and EMI/RFI in high frequency power conditioning systems. An extensive characterization of the recovery behavior for different values of current, temperature and di/dt simplifies the calculations of losses in the operating conditions. The softness of the recovery eliminates the need for a snubber in most applications. These devices are ideally suited for power converters, motors drives and other applications where switching losses are significant portion of the total losses.

Absolute Maximum Ratings

Characteristics	Characteristics	Max.	Units
V_R	Cathode to Anode Voltage (Per Leg)	1200	V
$I_{F(AV)}$	Continuous Forward Current, $T_C = 100^\circ C$ (Per Leg) ①	14	A
I_{FSM}	Single Pulse Forward Current, $T_C = 25^\circ C$ (Per Leg) ②	190	A
$P_D @ T_C = 25^\circ C$	Maximum Power Dissipation	104	W
T_J, T_{STG}	Operating Junction and Storage Temperature Range	-55 to 150	$^\circ C$

Notes:

- ① D.C. = 50% rectangle wave
- ② 1/2 sine wave, 60Hz, Pulse Width = 8.33ms



Electrical Characteristics (Per Leg) @ $T_J = 25^\circ\text{C}$ (unless otherwise specified)

	Parameter	Min.	Typ.	Max.	Units	Test Conditions
V_{BR}	Cathode Anode Breakdown Voltage	1200	—		V	$I_R = 100\mu\text{A}$
V_{FM}	Max Forward Voltage See Fig. 1	—	—	3.5	V	$I_F = 14\text{A}, T_J = -55^\circ\text{C}$
		—	—	3.0		$I_F = 14\text{A}$
		—	—	3.9		$I_F = 28\text{A}$
		—	—	2.7		$I_F = 14\text{A}, T_J = 125^\circ\text{C}$
I_{RM}	Max Reverse Leakage Current See Fig. 2	—	—	10	μA	$V_R = V_R \text{ Rated}$
		—	—	1.0	mA	$V_R = V_R \text{ Rated}, T_J = 125^\circ\text{C}$
C_T	Junction Capacitance, See Fig. 3	—	—	40	pF	$V_R = 200\text{V}$
L_S	Series Inductance	—	8.7	—	nH	Measured from anode lead to Cathode lead, 6mm (0.25 in) from package

Dynamic Recovery Characteristics (Per Leg) @ $T_J = 25^\circ\text{C}$ (unless otherwise specified)

	Parameter	Min.	Typ.	Max.	Units	Test Conditions	
t_{rr1}	Reverse Recovery Time	—	80	135	ns	$T_J = 25^\circ\text{C}$	$I_F = 14\text{A}$
t_{rr2}	See Fig. 5	—	120	—		$T_J = 125^\circ\text{C}$	
I_{RRM1}	Peak Recovery Current	—	6.0	10	A	$T_J = 25^\circ\text{C}$	$V_R = 200\text{V}$
I_{RRM2}	See Fig. 6	—	9.0	—		$T_J = 125^\circ\text{C}$	
Q_{rr1}	Reverse Recovery Charge	—	400	675	nC	$T_J = 25^\circ\text{C}$	$di_F/dt = 200\text{A}/\mu\text{s}$
Q_{rr2}	See Fig. 7	—	800	—		$T_J = 125^\circ\text{C}$	
$di_{(rec)M}/dt1$	Peak Rate of Fall of Recovery Current	—	190	—	$\text{A}/\mu\text{s}$	$T_J = 25^\circ\text{C}$	
$di_{(rec)M}/dt1$	During t_b - See Fig. 8	—	170	—		$T_J = 125^\circ\text{C}$	

Thermal - Mechanical Characteristics

	Parameter	Typ.	Max.	Units
$R_{\theta JC}$	Junction-to-Case, Single Leg Conducting. See Fig. 4	—	1.2	$^\circ\text{C}/\text{W}$
Wt	Weight	10.9	—	g

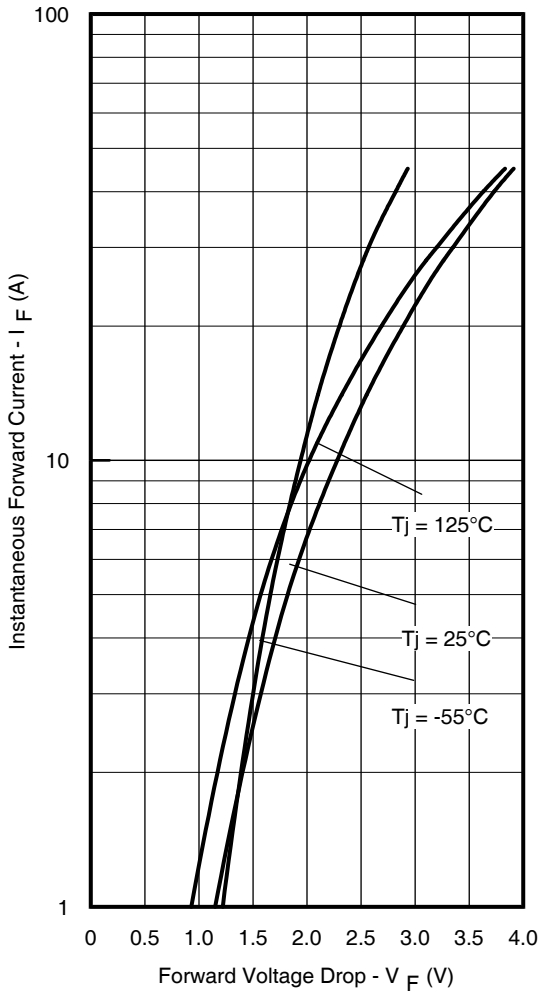


Fig. 1 Typical Forward Voltage Drop Characteristics (Per Leg)

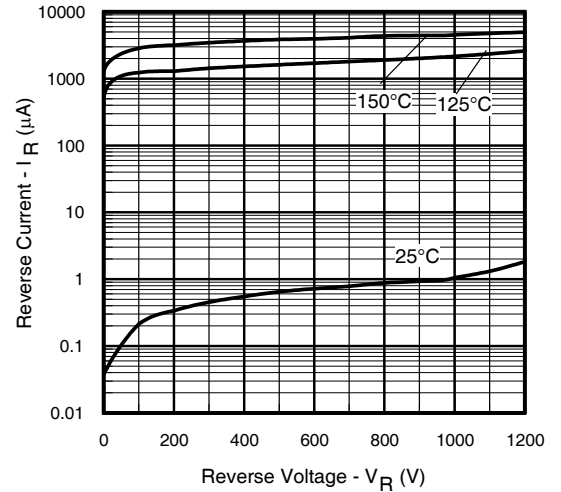


Fig. 2 Typical Values of Reverse Current Vs. Reverse Voltage (Per Leg)

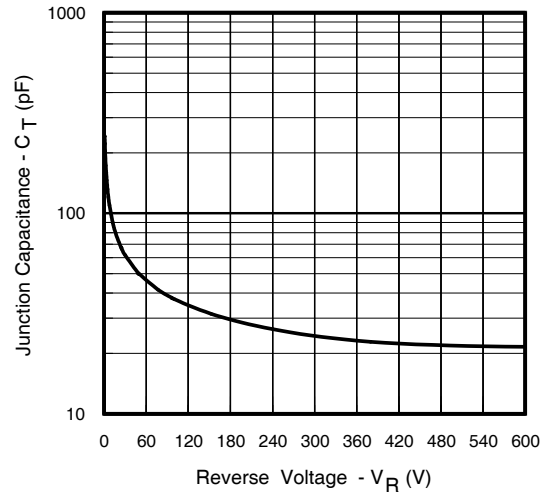


Fig. 3 Typical Junction Capacitance Vs. Reverse Voltage (Per Leg)

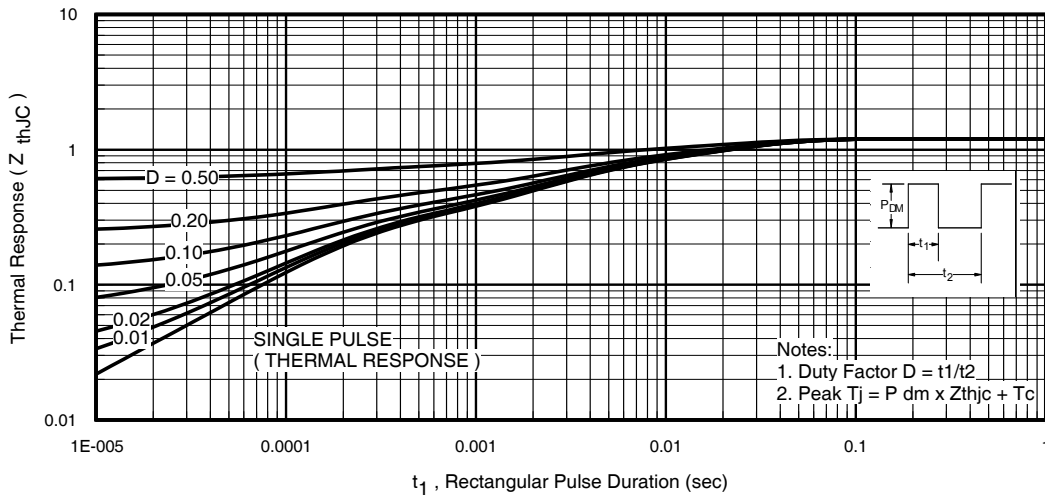


Fig. 4 Max. Thermal Impedance Z_{thJC} Characteristics (Per Leg)

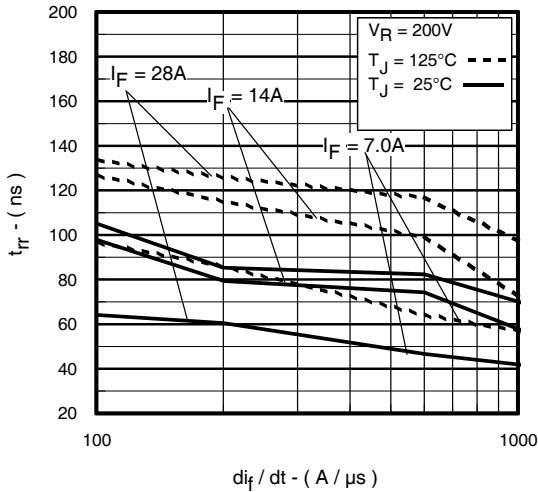


Fig. 5 Typical Reverse Recovery Vs di_f/dt (Per Leg)

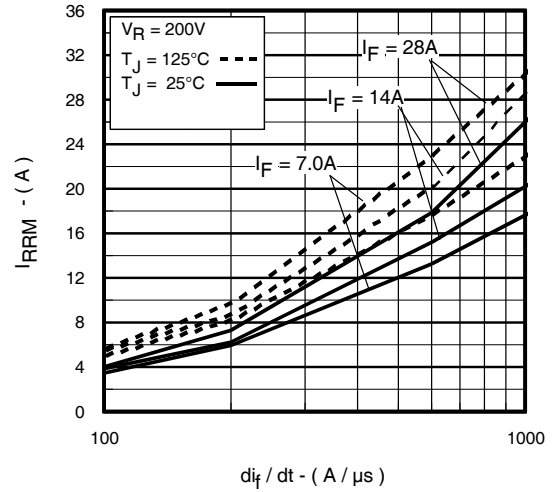


Fig. 6 Typical Recovery Current Vs di_f/dt (Per Leg)

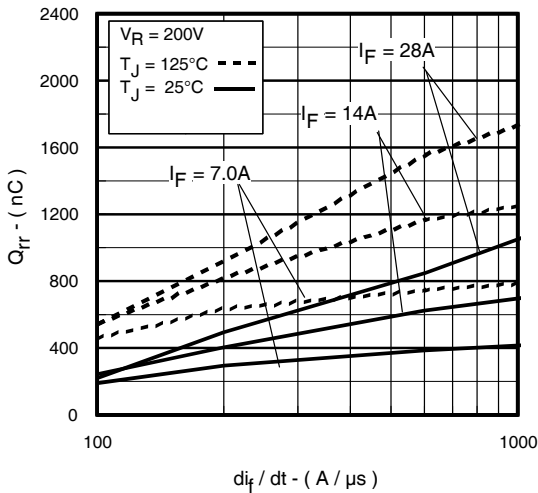


Fig. 7 Typical Stored Charge Vs di_f/dt (Per Leg)

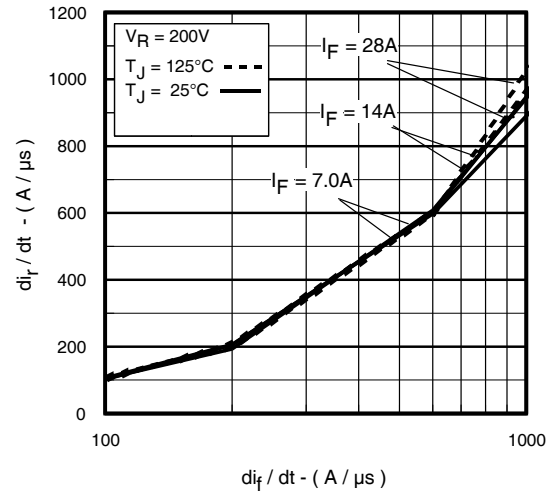


Fig. 8 Typical $di_{(rec)M}/dt$ Vs di_f/dt (Per Leg)

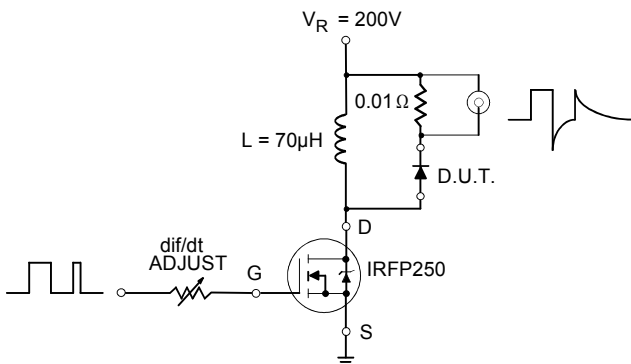
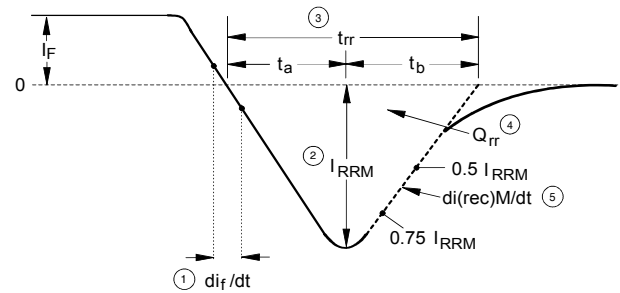


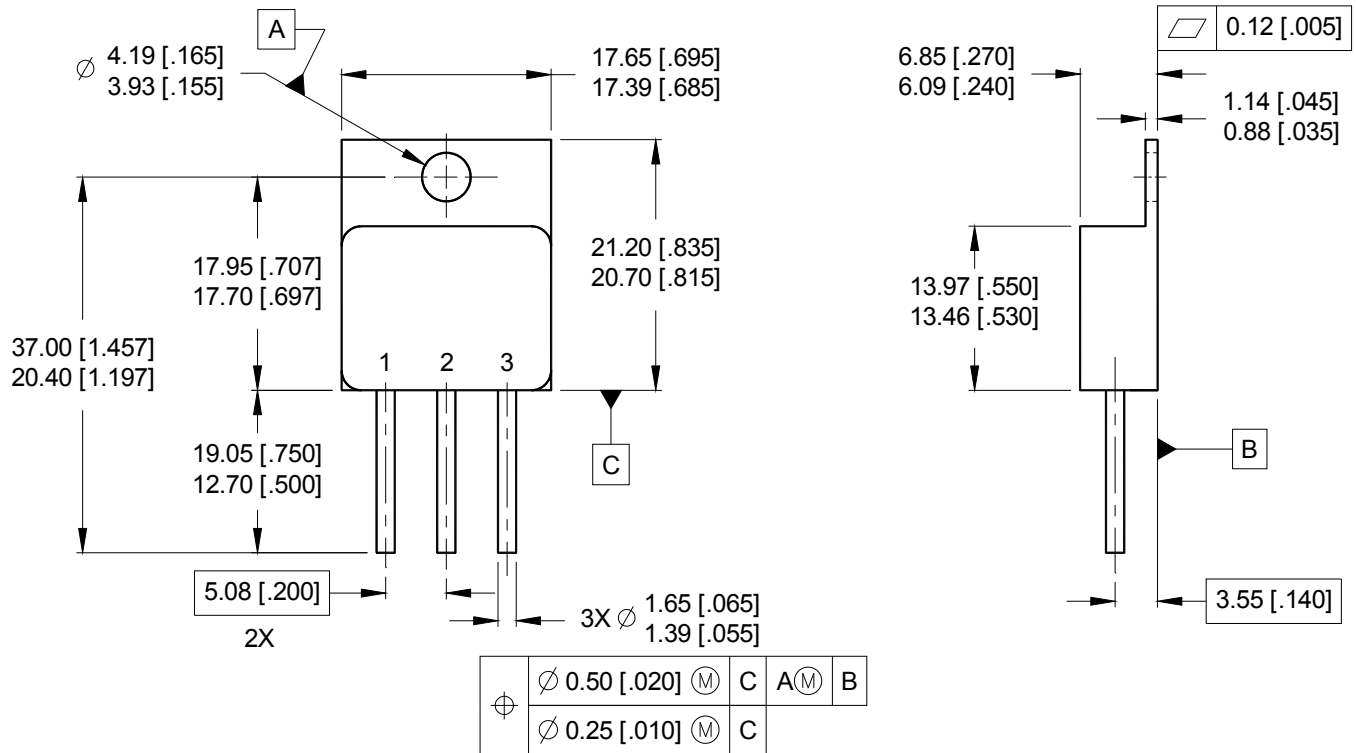
Fig. 9 Typical Reverse Recovery Parameter Test Circuit



- ① di_f/dt - Rate of change of current through zero crossing.
- ② I_{RRM} - Peak reverse recovery current.
- ③ t_{rr} - Reverse recovery time measured from zero crossing point of negative going I_F to point where a line passing through $0.75I_{RRM}$ and $0.5I_{RRM}$ extrapolated to zero current.
- ④ Q_{rr} - Area under curve defined by t_{rr} and I_{RRM} - $Q_{rr} = (t_{rr} \times I_{RRM}) / 2$
- ⑤ $di_{(rec)M}/dt$ - Peak rate of change of current during t_b position of t_{rr} .

Fig. 10 Reverse Recovery Waveform and Definitions

Case Outline and Dimensions — TO-258AA



NOTES:

1. DIMENSIONING & TOLERANCING PER ASME Y14.5M-1994.
2. ALL DIMENSIONS ARE SHOWN IN MILLIMETERS [INCHES].
3. CONTROLLING DIMENSION: INCH.
4. CONFORMS TO JEDEC OUTLINE TO-258AA.

PIN ASSIGNMENTS

Refer to page 1.

IMPORTANT NOTICE

The information given in this document shall be in no event regarded as guarantee of conditions or characteristic. The data contained herein is a characterization of the component based on internal standards and is intended to demonstrate and provide guidance for typical part performance. It will require further evaluation, qualification and analysis to determine suitability in the application environment to confirm compliance to your system requirements.

With respect to any example hints or any typical values stated herein and/or any information regarding the application of the product, Infineon Technologies hereby disclaims any and all warranties and liabilities of any kind including without limitation warranties on non- infringement of intellectual property rights and any third party.

In addition, any information given in this document is subject to customer's compliance with its obligations stated in this document and any applicable legal requirements, norms and standards concerning customer's product and any use of the product of Infineon Technologies in customer's applications.

The data contained in this document is exclusively intended for technically trained staff. It is the responsibility of any customer's technical departments to evaluate the suitability of the product for the intended applications and the completeness of the product information given in this document with respect to applications.

For further information on the product, technology, delivery terms and conditions and prices, please contact your local sales representative or go to (www.infineon.com/hirel).

WARNING

Due to technical requirements products may contain dangerous substances. For information on the types in question, please contact your nearest Infineon Technologies office.