

LEGAL NOTICE:  
 THIS DRAWING AND SPECIFICATIONS ARE THE PROPERTY OF INTERNATIONAL RECTIFIER, ARE ISSUED IN STRICT CONFIDENCE AND SHALL NOT BE REPRODUCED, COPIED OR USED AS THE BASIS FOR THE MANUFACTURE OR SALE OF PRODUCTS WITHOUT WRITTEN PERMISSION FROM INTERNATIONAL RECTIFIER.

INTERNATIONAL RECTIFIER MEXICO  
 PROLONGACION AV. LOS CABOS NO. 9234  
 PARQUE INDUSTRIAL PACIFICO II  
 TIJUANA, BC, MEXICO C.P. 22709  
 TEL(011 52 664) 626-0804  
 FAX(011 52 664) 627-8906

EC NO	12-0511	DWG ORG	EGARCIA
EC DATE	07/05/12	ORIG DATE	02/02/05
EC ORG	MSAUCEDO	UPD BY	MSAUCEDO
EC APP	JLICIAO	UPD DATE	07/05/12
DEPT	509	SIZE	A: 11x8.5

GEOMETRICAL DIMENSIONING AND TOLERANCING:  
 ASME Y14.5M-1994  
 UNLESS OTHERWISE SPECIFIED ALL DIMENSIONS ARE IN:  
 MILLIMETERS [INCHES]

UNLESS OTHERWISE SPECIFIED ALL TOLERANCES ARE:

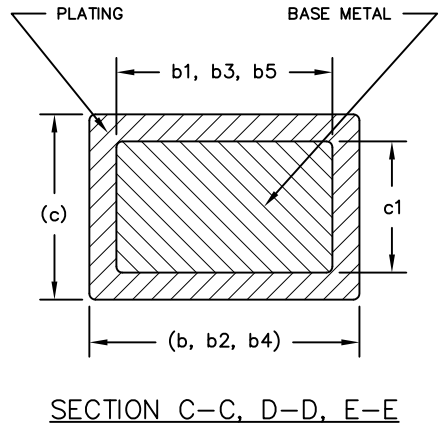
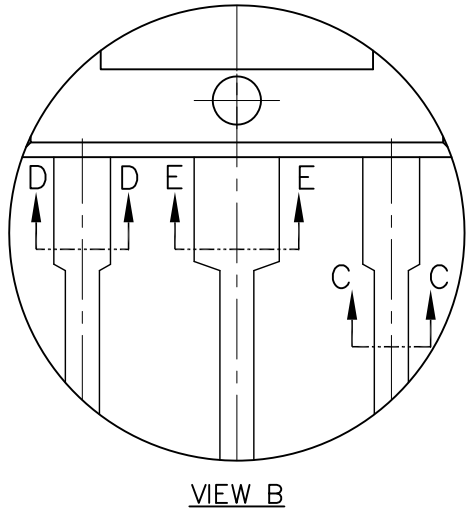
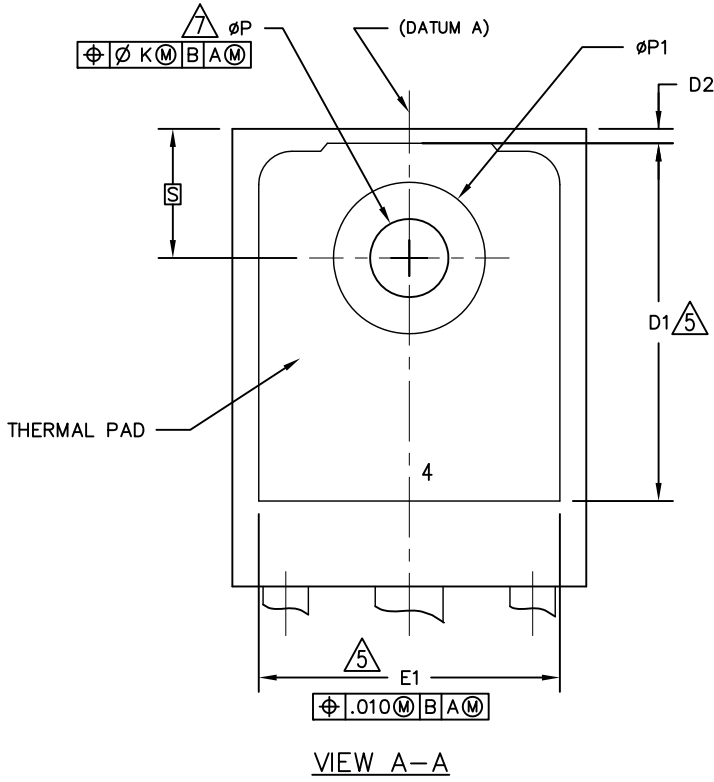
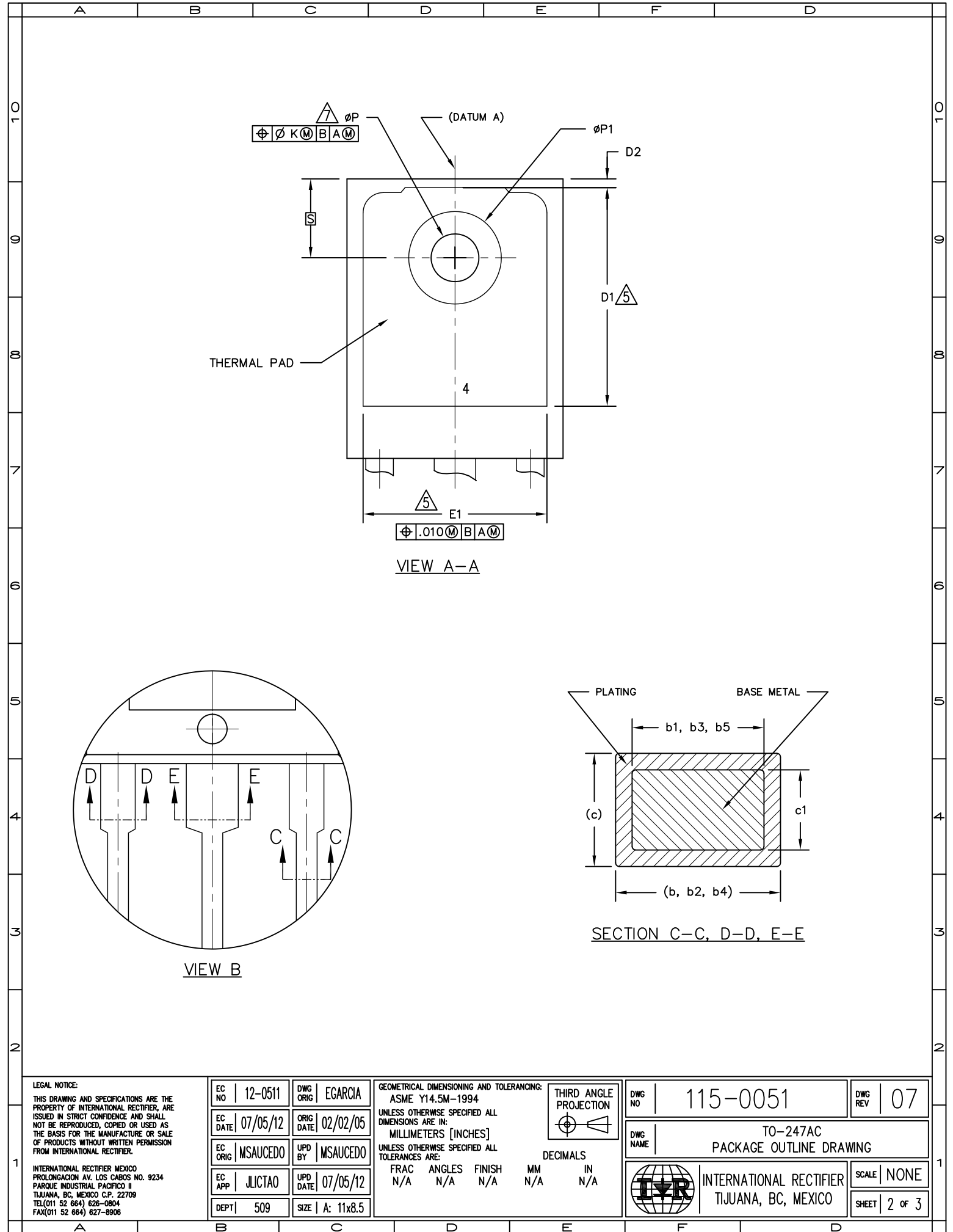
FRAC	ANGLES	FINISH	MM	IN
N/A	N/A	N/A	N/A	N/A

THIRD ANGLE PROJECTION

DECIMALS

MM	IN
N/A	N/A

DWG NO	115-0051	DWG REV	07
TO-247AC PACKAGE OUTLINE DRAWING			
INTERNATIONAL RECTIFIER		SCALE   2.5:1	
TIJUANA, BC, MEXICO		SHEET   1 of 3	



**LEGAL NOTICE:**  
 THIS DRAWING AND SPECIFICATIONS ARE THE PROPERTY OF INTERNATIONAL RECTIFIER, ARE ISSUED IN STRICT CONFIDENCE AND SHALL NOT BE REPRODUCED, COPIED OR USED AS THE BASIS FOR THE MANUFACTURE OR SALE OF PRODUCTS WITHOUT WRITTEN PERMISSION FROM INTERNATIONAL RECTIFIER.  
 INTERNATIONAL RECTIFIER MEXICO  
 PROLONGACION AV. LOS CABOS NO. 9234  
 PARQUE INDUSTRIAL PACIFICO II  
 TIJUANA, BC, MEXICO C.P. 22709  
 TEL(011 52 664) 626-0804  
 FAX(011 52 664) 627-8906

EC NO   12-0511	DWG ORIG   EGARCIA
EC DATE   07/05/12	ORIG DATE   02/02/05
EC ORIG   MSAUCEDO	UPD BY   MSAUCEDO
EC APP   JLICTAO	UPD DATE   07/05/12
DEPT   509	SIZE   A: 11x8.5

**GEOMETRICAL DIMENSIONING AND TOLERANCING:**  
 ASME Y14.5M-1994  
 UNLESS OTHERWISE SPECIFIED ALL DIMENSIONS ARE IN: MILLIMETERS [INCHES]  
 UNLESS OTHERWISE SPECIFIED ALL TOLERANCES ARE:  
 FRAC ANGLES FINISH MM IN  
 N/A N/A N/A N/A N/A  
 DECIMALS  
 THIRD ANGLE PROJECTION

DWG NO   115-0051	DWG REV   07
TO-247AC PACKAGE OUTLINE DRAWING	
INTERNATIONAL RECTIFIER TIJUANA, BC, MEXICO	
SCALE   NONE	SHEET   2 of 3

NOTES:

1. DIMENSIONING AND TOLERANCING AS PER ASME Y14.5M 1994.
2. DIMENSIONS ARE SHOWN IN INCHES.
3. CONTOUR OF SLOT OPTIONAL.
4. DIMENSION D & E DO NOT INCLUDE MOLD FLASH. MOLD FLASH SHALL NOT EXCEED .005" (0.127) PER SIDE. THESE DIMENSIONS ARE MEASURED AT THE OUTERMOST EXTREMES OF THE PLASTIC BODY.
5. THERMAL PAD CONTOUR OPTIONAL WITHIN DIMENSIONS D1 & E1.
6. LEAD FINISH UNCONTROLLED IN L1.
7. ØP TO HAVE A MAXIMUM DRAFT ANGLE OF 1.5 ° TO THE TOP OF THE PART WITH A MAXIMUM HOLE DIAMETER OF .154 INCH.
8. OUTLINE CONFORMS TO JEDEC OUTLINE TO-247AC .

SYMBOL	DIMENSIONS				NOTES
	INCHES		MILLIMETERS		
	MIN.	MAX.	MIN.	MAX.	
A	.183	.209	4.65	5.31	
A1	.087	.102	2.21	2.59	
A2	.059	.098	1.50	2.49	
b	.039	.055	0.99	1.40	
b1	.039	.053	0.99	1.35	
b2	.065	.094	1.65	2.39	
b3	.065	.092	1.65	2.34	
b4	.102	.135	2.59	3.43	
b5	.102	.133	2.59	3.38	
c	.015	.035	0.38	0.89	
c1	.015	.033	0.38	0.84	
D	.776	.815	19.71	20.70	4
D1	.515	-	13.08	-	5
D2	.020	.053	0.51	1.35	
E	.602	.625	15.29	15.87	4
E1	.530	-	13.46	-	
E2	.178	.216	4.52	5.49	
e	.215 BSC		5.46 BSC		
øk	.010		0.25		
L	.559	.634	14.20	16.10	
L1	.146	.169	3.71	4.29	
øP	.140	.144	3.56	3.66	
øP1	-	.291	-	7.39	
Q	.209	.224	5.31	5.69	
S	.217 BSC		5.51 BSC		

LEAD ASSIGNMENTS

HEXFET

- 1.- GATE
- 2.- DRAIN
- 3.- SOURCE
- 4.- DRAIN

IGBTs, CoPACK

- 1.- GATE
- 2.- COLLECTOR
- 3.- EMITTER
- 4.- COLLECTOR

DIODES

- 1.- ANODE/OPEN
- 2.- CATHODE
- 3.- ANODE

LEGAL NOTICE:


THIS DRAWING AND SPECIFICATIONS ARE THE PROPERTY OF INTERNATIONAL RECTIFIER. ARE ISSUED IN STRICT CONFIDENCE AND SHALL NOT BE REPRODUCED, COPIED OR USED AS THE BASIS FOR THE MANUFACTURE OR SALE OF PRODUCTS WITHOUT WRITTEN PERMISSION FROM INTERNATIONAL RECTIFIER.

INTERNATIONAL RECTIFIER MEXICO  
 PROLONGACION AV. LOS CABOS NO. 9234  
 PARQUE INDUSTRIAL PACIFICO II  
 TIJUANA, BC, MEXICO C.P. 22709  
 TEL(011 52 664) 626-0804  
 FAX(011 52 664) 627-8906

EC NO   12-0511	DWG ORG   EGARCIA
EC DATE   07/05/12	ORIG DATE   02/02/05
EC ORIG   MSAUCEDO	UPD BY   MSAUCEDO
EC APP   JLICTAO	UPD DATE   07/05/12
DEPT   509	SIZE   A: 11x8.5

GEOMETRICAL DIMENSIONING AND TOLERANCING:  
 ASME Y14.5M-1994  
 UNLESS OTHERWISE SPECIFIED ALL DIMENSIONS ARE IN:  
 MILLIMETERS [INCHES]  
 UNLESS OTHERWISE SPECIFIED ALL TOLERANCES ARE:  
 FRAC ANGLES FINISH MM IN  
 N/A N/A N/A N/A N/A

THIRD ANGLE PROJECTION



DECIMALS  
 MM IN  
 N/A N/A

DWG NO   115-0051	DWG REV   07
DWG NAME   TO-247AC PACKAGE OUTLINE DRAWING	
 INTERNATIONAL RECTIFIER TIJUANA, BC, MEXICO	
SCALE   NONE	SHEET   3 of 3