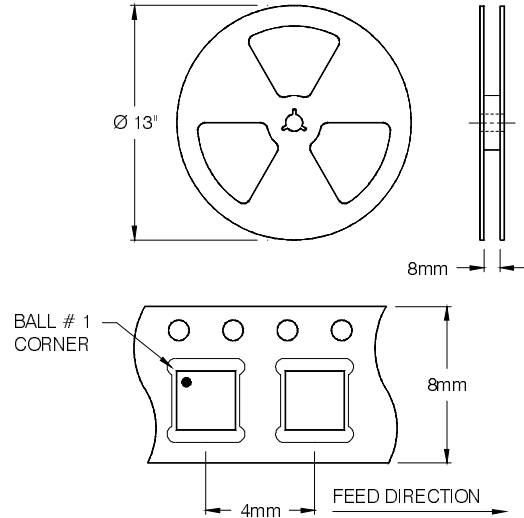
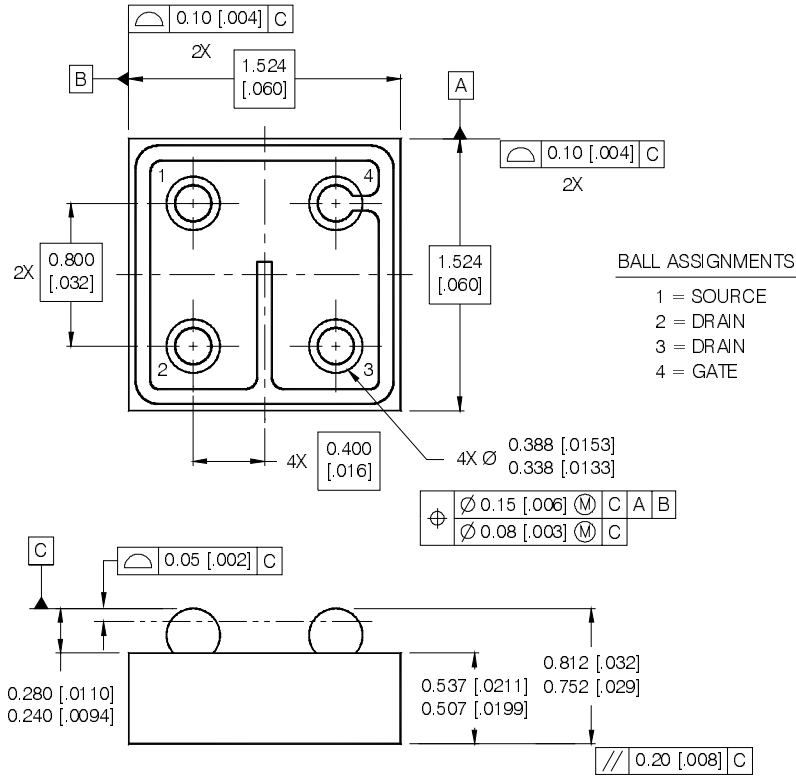


FlipFet™ - 4 Lead Outline Dimension and Tape & Reel

International
IR Rectifier

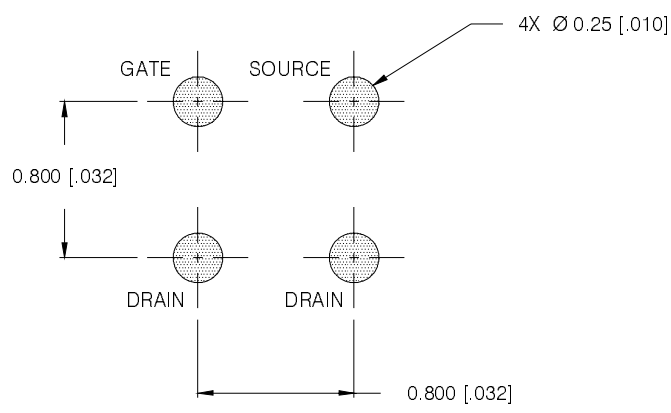
Dimensions are shown in millimeters (inches)



NOTES:
 1. TAPE AND REEL OUTLINE CONFORMS TO EIA-481 & EIA-541.

NOTES:
 1. DIMENSIONING & TOLERANCING PER ASME Y14.5M-1994.
 2. CONTROLLING DIMENSION: MILLIMETER
 3. DIMENSIONS ARE SHOWN IN MILLIMETERS [INCHES].

RECOMMENDED FOOTPRINT



PART MARKING

