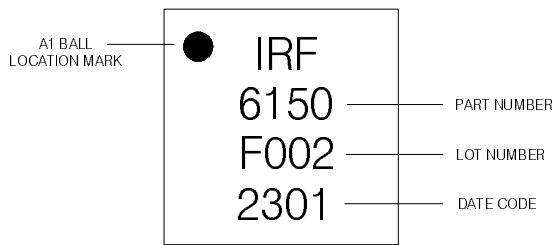


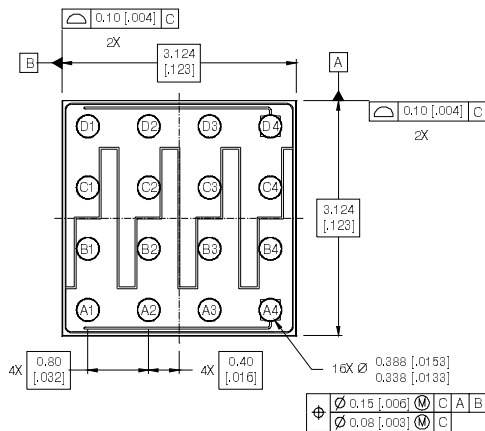
FlipFet - 16 Lead Bi-Directional MOSFET

Pinout Outline Dimension and Tape & Reel Information

Dimensions are shown in millimeters (inches)



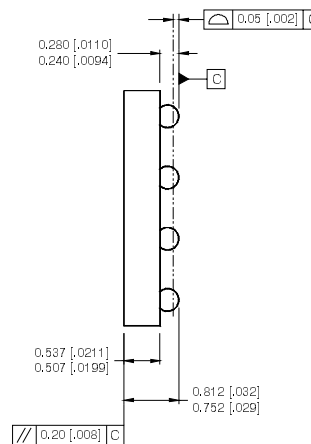
TOP VIEW



BOTTOM VIEW

NOTES:

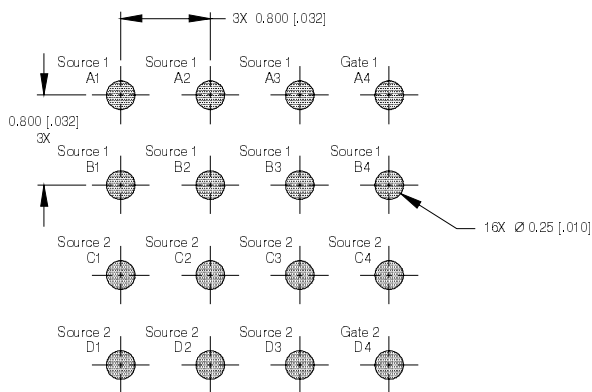
1. DIMENSIONING & TOLERANCING PER ASME Y14.5M-1994.
2. CONTROLLING DIMENSION: MILLIMETER
3. DIMENSIONS ARE SHOWN IN MILLIMETERS [INCHES].



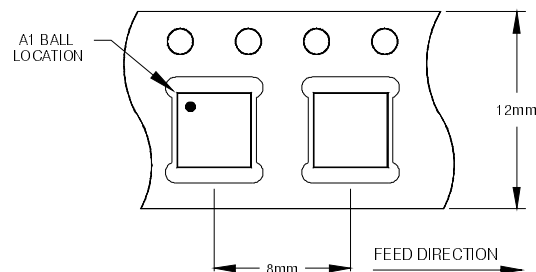
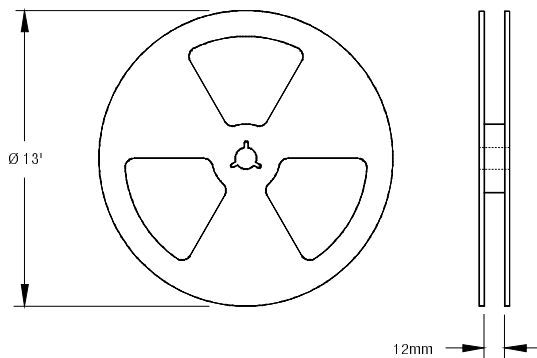
PAD ASSIGNMENTS

- | | |
|---------|---------|
| A1 = S1 | C1 = S2 |
| A2 = S1 | C2 = S2 |
| A3 = S1 | C3 = S2 |
| A4 = G1 | C4 = S2 |
| B1 = S1 | D1 = S2 |
| B2 = S1 | D2 = S2 |
| B3 = S1 | D3 = S2 |
| B4 = S1 | D4 = G2 |

SIDE VIEW



RECOMMENDED FOOTPRINT



NOTES:

1. TAPE AND REEL OUTLINE CONFORMS TO EIA-481 & EIA-541.