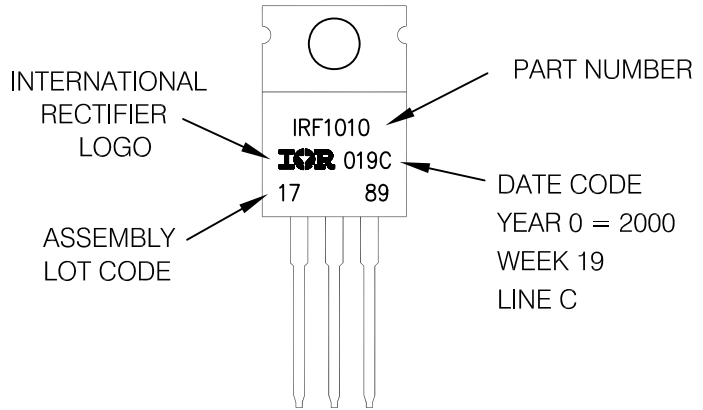


TO-220AB (Lead - Free)

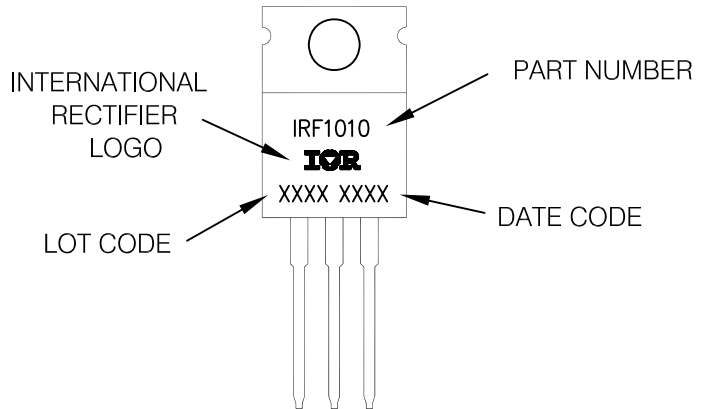
EXAMPLE: THIS IS AN IRF1010
 LOT CODE 1789
 ASSEMBLED ON WW 19, 2000
 IN THE ASSEMBLY LINE "C"

Note: "P" in assembly line position indicates "Lead - Free"



TO-220AB (for GB Production)

EXAMPLE: THIS IS AN IRF1010
 LOT CODE 1789
 ASSEMBLED ON WW 19, 1997
 IN THE ASSEMBLY LINE "C"



HEXFRED TO-220AB

EXAMPLE: THIS IS AN HFA16TA60C
 LOT CODE 1789
 ASSEMBLED ON WW 19, 2001
 IN THE ASSEMBLY LINE "C"

Note: "P" in assembly line position indicates "Lead - Free"

OR

EXAMPLE: THIS IS AN HFA16TA60C
 LOT CODE 1789
 ASSEMBLED ON WW 19, 2001

Note: "P" in assembly line position indicates "Lead - Free"

