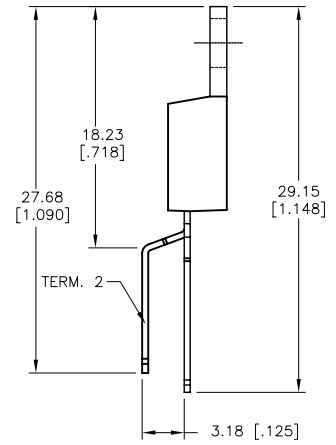
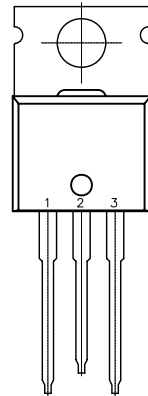
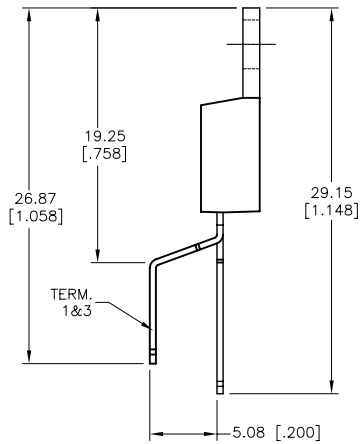
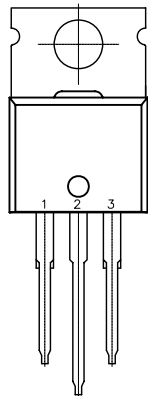


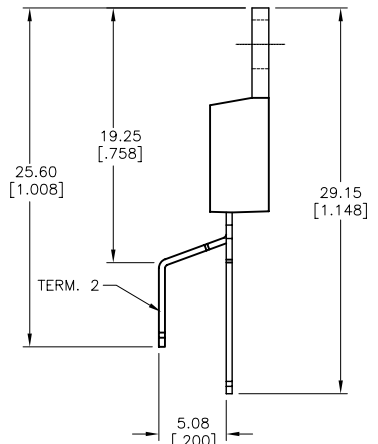
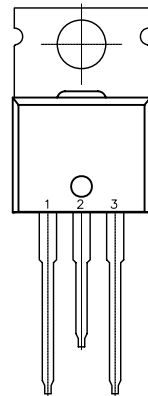
OPTION-002



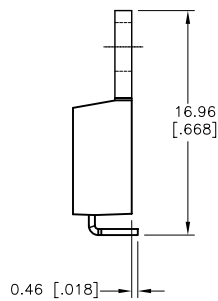
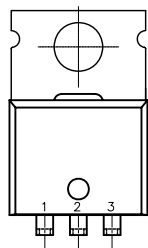
OPTION-003



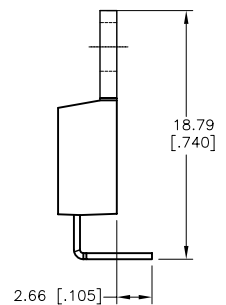
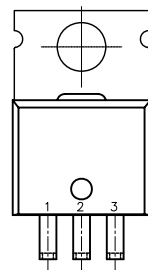
OPTION-004



OPTION-005



OPTION-006



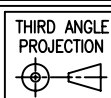
OPTION-009

LEGAL NOTICE:
THIS DRAWING AND SPECIFICATIONS ARE THE PROPERTY OF INTERNATIONAL RECTIFIER, ARE ISSUED IN STRICT CONFIDENCE AND SHALL NOT BE REPRODUCED, COPIED OR USED AS THE BASIS FOR THE MANUFACTURE OR SALE OF PRODUCTS WITHOUT WRITTEN PERMISSION FROM INTERNATIONAL RECTIFIER.

INTERNATIONAL RECTIFIER MEXICO
PROLONGACION AV. LOS CABOS NO. 9234
PARQUE INDUSTRIAL PACIFICO II
TIJUANA, BC, MEXICO C.P. 22709
TEL(011 52 664) 628-0804
FAX(011 52 664) 627-8906

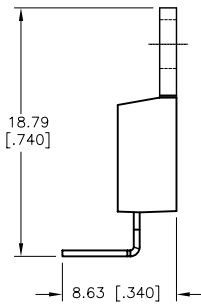
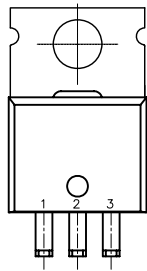
EC NO	09-0585	DWG ORIG	MSAUCEDO
EC DATE	11/12/09	ORIG DATE	10/30/09
EC ORIG	MSAUCEDO	UPD BY	-
EC APP	RROXAS	UPD DATE	-
DEPT	509BE	SIZE	ISO A4

GEOMETRICAL DIMENSIONING AND TOLERANCING:
ASME Y14.5M-1994
UNLESS OTHERWISE SPECIFIED ALL DIMENSIONS ARE IN:
MILLIMETERS [INCHES]
UNLESS OTHERWISE SPECIFIED ALL TOLERANCES ARE:
FRAC ANGLES FINISH
± 1/64 ± 2 N/A

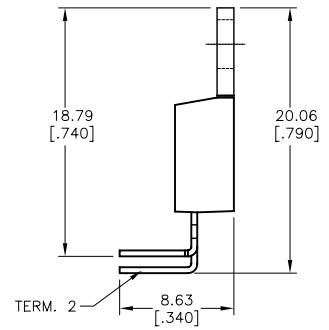
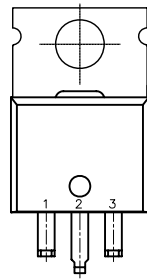


DECIMALS
± X.XX = ± 0.3 [±.012]

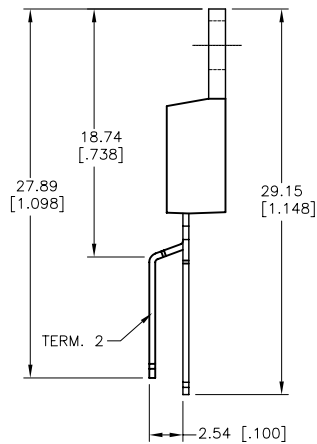
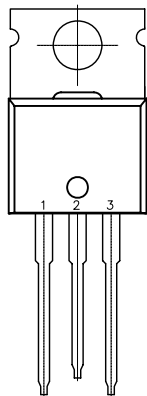
DWG NO	WEB-0001	DWG REV	IR
DWG NAME	TO-220 LEAD FORM MATRIX		
		INTERNATIONAL RECTIFIER	SCALE NONE
TIJUANA, BC, MEXICO		SHEET 1 OF 6	



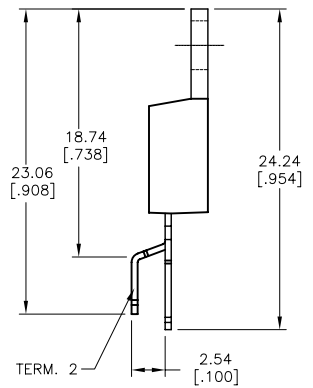
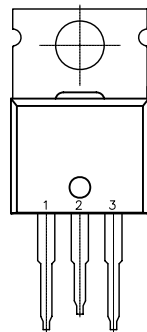
OPTION-010



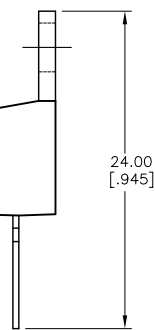
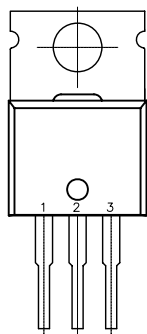
OPTION-011



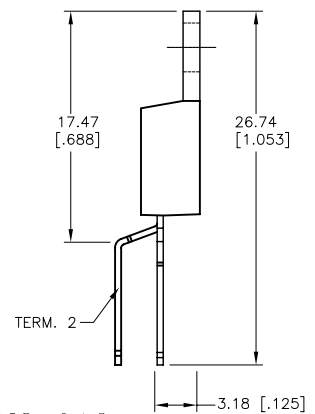
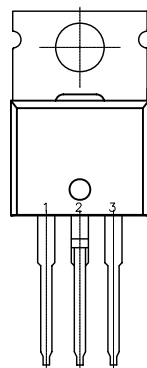
OPTION-012



OPTION-013



OPTION-017



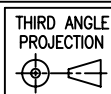
OPTION-018

LEGAL NOTICE:
THIS DRAWING AND SPECIFICATIONS ARE THE PROPERTY OF INTERNATIONAL RECTIFIER, ARE ISSUED IN STRICT CONFIDENCE AND SHALL NOT BE REPRODUCED, COPIED OR USED AS THE BASIS FOR THE MANUFACTURE OR SALE OF PRODUCTS WITHOUT WRITTEN PERMISSION FROM INTERNATIONAL RECTIFIER.

INTERNATIONAL RECTIFIER MEXICO
PROLONGACION AV. LOS CABOS NO. 9234
PARQUE INDUSTRIAL PACIFICO II
TIJUANA, BC, MEXICO C.P. 22709
TEL(011 52 664) 628-0804
FAX(011 52 664) 627-8906

EC NO 09-0585	DWG ORIG MSAUCEDO
EC DATE 11/12/09	ORIG DATE 10/30/09
EC ORIG MSAUCEDO	UPD BY -
EC APP RROXAS	UPD DATE -
DEPT 509BE	SIZE ISO A4

GEOMETRICAL DIMENSIONING AND TOLERANCING:
ASME Y14.5M-1994
UNLESS OTHERWISE SPECIFIED ALL DIMENSIONS ARE IN:
MILLIMETERS [INCHES]
UNLESS OTHERWISE SPECIFIED ALL TOLERANCES ARE:
FRAC ANGLES FINISH
± 1/64 ± 2 N/A

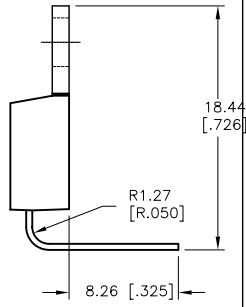
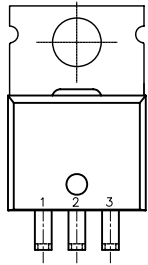


DECIMALS
± X.XX ± 0.3 [±.012]

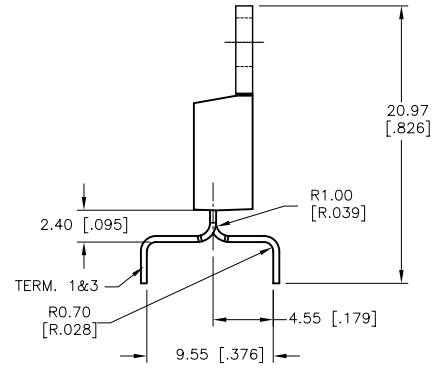
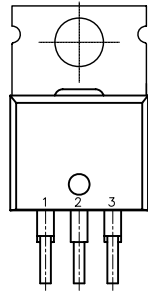
DWG NO WEB-0001	DWG REV IR
DWG NAME TO-220 LEAD FORM MATRIX	
SCALE NONE	
SHEET 2 OF 6	



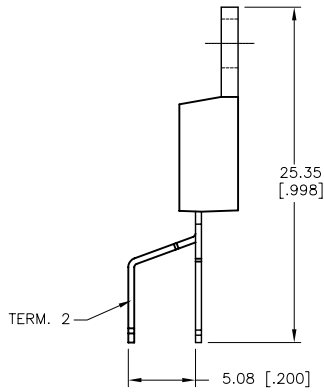
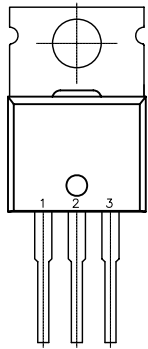
INTERNATIONAL RECTIFIER
TIJUANA, BC, MEXICO



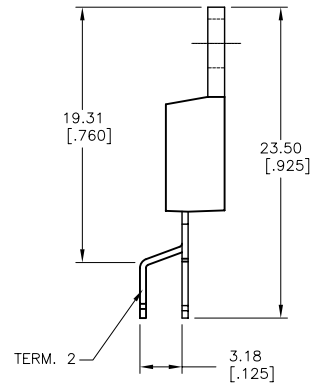
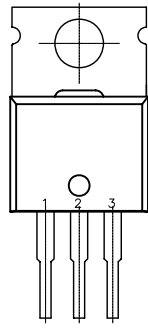
OPTION-019



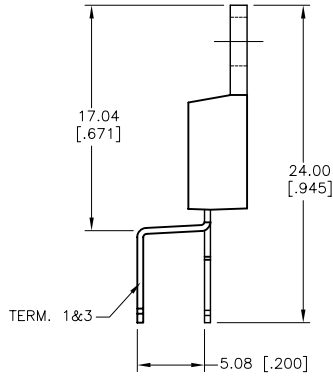
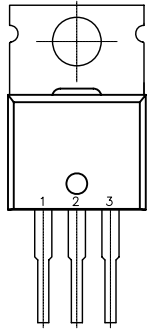
OPTION-024



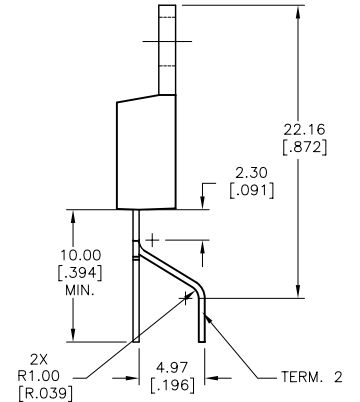
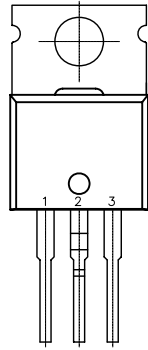
OPTION-029



OPTION-030



OPTION-031



OPTION-035

LEGAL NOTICE:
THIS DRAWING AND SPECIFICATIONS ARE THE PROPERTY OF INTERNATIONAL RECTIFIER, ARE ISSUED IN STRICT CONFIDENCE AND SHALL NOT BE REPRODUCED, COPIED OR USED AS THE BASIS FOR THE MANUFACTURE OR SALE OF PRODUCTS WITHOUT WRITTEN PERMISSION FROM INTERNATIONAL RECTIFIER.

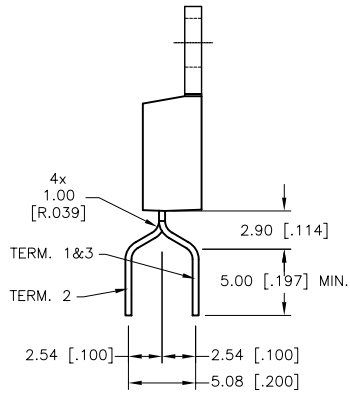
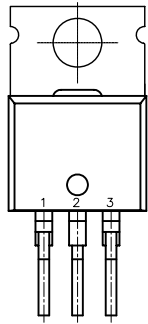
INTERNATIONAL RECTIFIER MEXICO
PROLONGACION AV. LOS CABOS NO. 9234
PARQUE INDUSTRIAL PACIFICO II
TIJUANA, BC, MEXICO C.P. 22709
TEL(011 52 664) 628-0804
FAX(011 52 664) 627-8906

EC NO	09-0585	DWG ORIG	MSAUCEDO
EC DATE	11/12/09	ORIG DATE	10/30/09
EC ORIG	MSAUCEDO	UPD BY	-
EC APP	RROXAS	UPD DATE	-
DEPT	509BE	SIZE	ISO A4

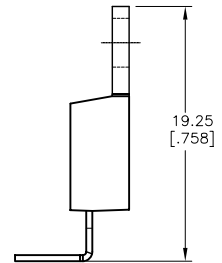
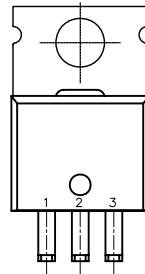
GEOMETRICAL DIMENSIONING AND TOLERANCING:
ASME Y14.5M-1994
UNLESS OTHERWISE SPECIFIED ALL DIMENSIONS ARE IN:
MILLIMETERS [INCHES]
UNLESS OTHERWISE SPECIFIED ALL TOLERANCES ARE:
FRAC ANGLES FINISH DECIMALS
± 1/64 ± 2 N/A ± .XX = ± 0.3 [±.012]



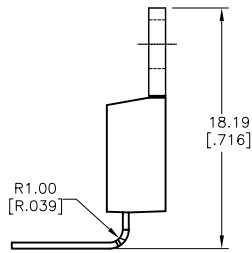
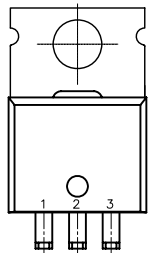
DWG NO	WEB-0001	DWG REV	IR
DWG NAME	TO-220 LEAD FORM MATRIX		
	INTERNATIONAL RECTIFIER		SCALE NONE
	TIJUANA, BC, MEXICO		SHEET 3 of 6



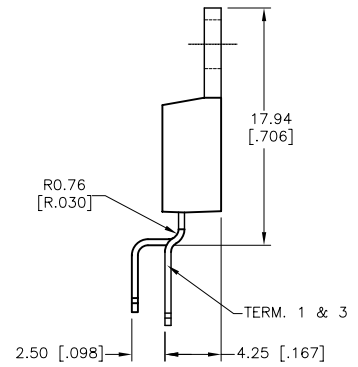
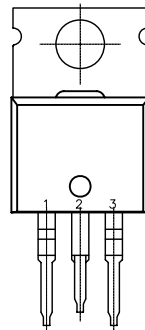
OPTION-037



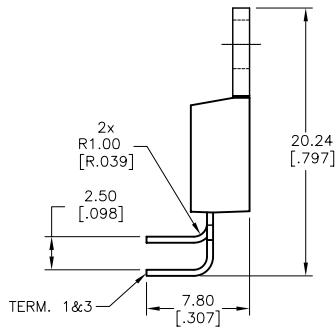
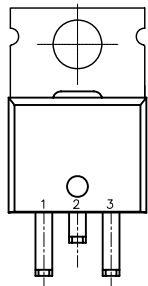
OPTION-046



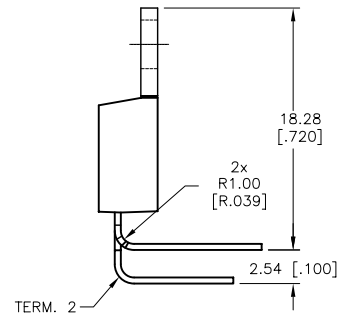
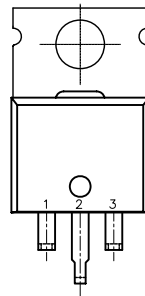
OPTION-047



OPTION-048



OPTION-049



OPTION-051

LEGAL NOTICE:
THIS DRAWING AND SPECIFICATIONS ARE THE PROPERTY OF INTERNATIONAL RECTIFIER, ARE ISSUED IN STRICT CONFIDENCE AND SHALL NOT BE REPRODUCED, COPIED OR USED AS THE BASIS FOR THE MANUFACTURE OR SALE OF PRODUCTS WITHOUT WRITTEN PERMISSION FROM INTERNATIONAL RECTIFIER.

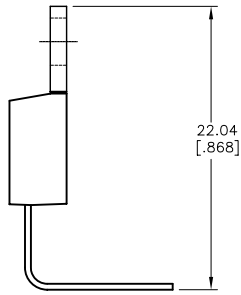
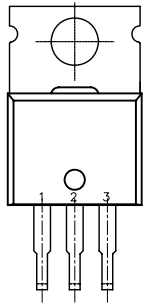
INTERNATIONAL RECTIFIER MEXICO
PROLONGACION AV. LOS CABOS NO. 9234
PARQUE INDUSTRIAL PACIFICO II
TIJUANA, BC, MEXICO C.P. 22709
TEL(011 52 664) 628-0804
FAX(011 52 664) 627-8906

EC NO 09-0585	DWG ORIG MSAUCEDO
EC DATE 11/12/09	ORIG DATE 10/30/09
EC ORIG MSAUCEDO	UPD BY -
EC APP RROXAS	UPD DATE -
DEPT 509BE	SIZE ISO A4

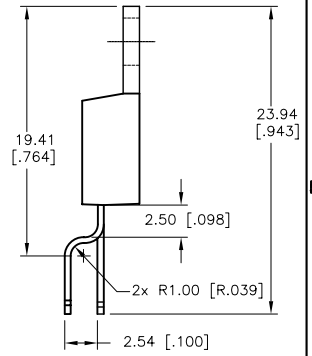
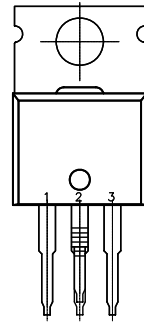
GEOMETRICAL DIMENSIONING AND TOLERANCING:
ASME Y14.5M-1994
UNLESS OTHERWISE SPECIFIED ALL DIMENSIONS ARE IN:
MILLIMETERS [INCHES]
UNLESS OTHERWISE SPECIFIED ALL TOLERANCES ARE:
FRAC ANGLES FINISH
± 1/64 ± 2 N/A

THIRD ANGLE PROJECTION
DECIMALS
± X.XX = ± 0.3 [±.012]

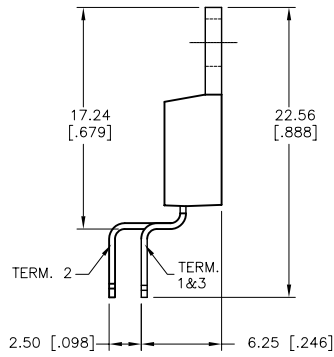
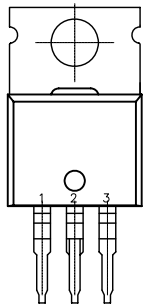
DWG NO WEB-0001	DWG REV IR
TO-220 LEAD FORM MATRIX	
INTERNATIONAL RECTIFIER TIJUANA, BC, MEXICO	
SCALE NONE	SHEET 4 OF 6



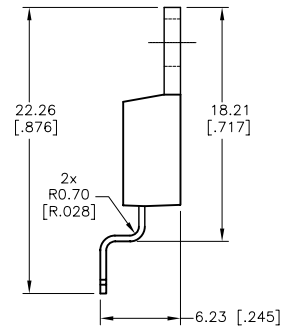
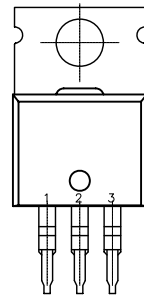
OPTION-052



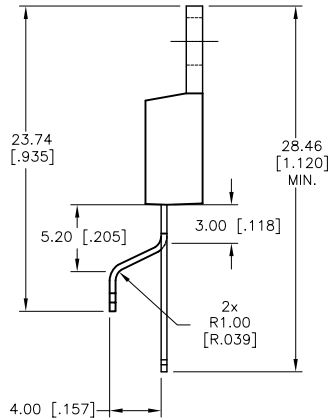
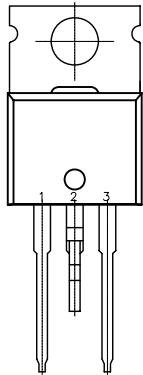
OPTION-053



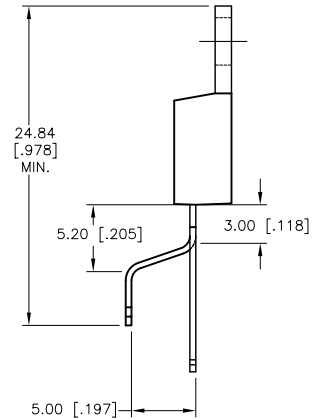
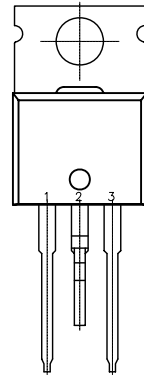
OPTION-054



OPTION-057



OPTION-058



OPTION-059

LEGAL NOTICE:
THIS DRAWING AND SPECIFICATIONS ARE THE PROPERTY OF INTERNATIONAL RECTIFIER, ARE ISSUED IN STRICT CONFIDENCE AND SHALL NOT BE REPRODUCED, COPIED OR USED AS THE BASIS FOR THE MANUFACTURE OR SALE OF PRODUCTS WITHOUT WRITTEN PERMISSION FROM INTERNATIONAL RECTIFIER.

INTERNATIONAL RECTIFIER MEXICO
PROLONGACION AV. LOS CABOS NO. 9234
PARQUE INDUSTRIAL PACIFICO II
TIJUANA, BC, MEXICO C.P. 22709
TEL(011 52 664) 628-0804
FAX(011 52 664) 627-8906

EC NO	09-0585	DWG ORIG	MSAUCEDO
EC DATE	11/12/09	ORIG DATE	10/30/09
EC ORIG	MSAUCEDO	UPD BY	-
EC APP	RROXAS	UPD DATE	-
DEPT	509BE	SIZE	ISO A4

GEOMETRICAL DIMENSIONING AND TOLERANCING:
ASME Y14.5M-1994
UNLESS OTHERWISE SPECIFIED ALL DIMENSIONS ARE IN:
MILLIMETERS [INCHES]
UNLESS OTHERWISE SPECIFIED ALL TOLERANCES ARE:
FRAC ANGLES FINISH DECIMALS
± 1/64 ± 2 N/A ± .XX = ± 0.3 [±.012]

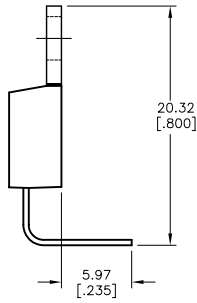
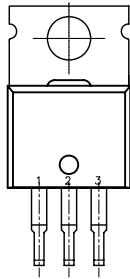


DWG NO | WEB-0001 | DWG REV | IR
TO-220
LEAD FORM MATRIX

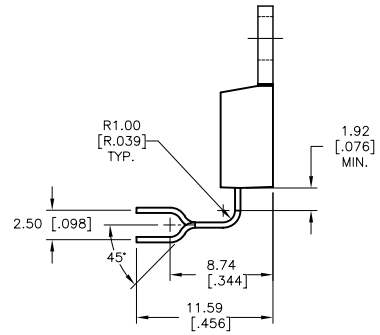
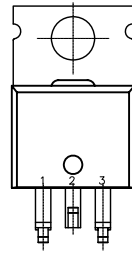


INTERNATIONAL RECTIFIER
TIJUANA, BC, MEXICO

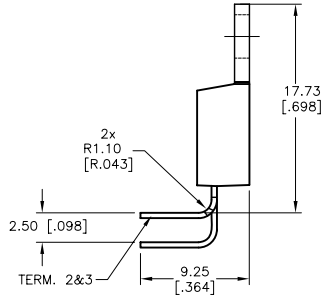
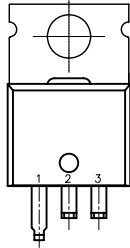
SCALE | NONE
SHEET | 5 OF 6



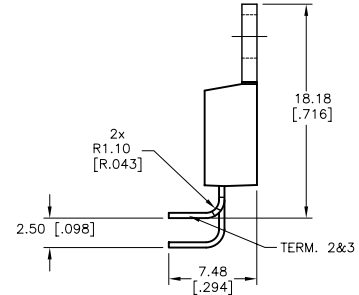
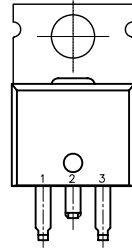
OPTION-063



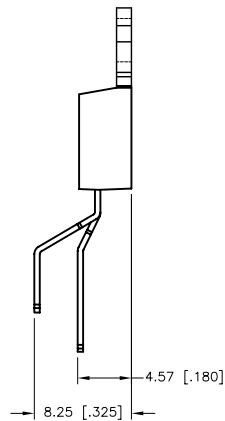
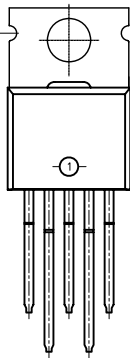
OPTION-065



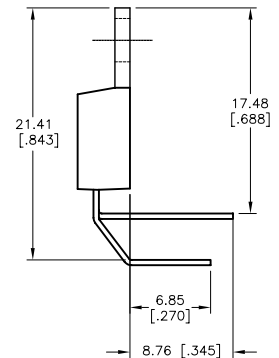
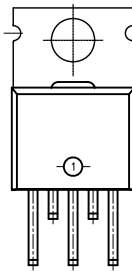
OPTION-067



OPTION-068



OPTION-007



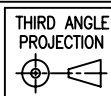
OPTION-008

LEGAL NOTICE:
THIS DRAWING AND SPECIFICATIONS ARE THE PROPERTY OF INTERNATIONAL RECTIFIER, ARE ISSUED IN STRICT CONFIDENCE AND SHALL NOT BE REPRODUCED, COPIED OR USED AS THE BASIS FOR THE MANUFACTURE OR SALE OF PRODUCTS WITHOUT WRITTEN PERMISSION FROM INTERNATIONAL RECTIFIER.


INTERNATIONAL RECTIFIER MEXICO
PROLONGACION AV. LOS CABOS NO. 9234
PARQUE INDUSTRIAL PACIFICO II
TIJUANA, BC, MEXICO C.P. 22709
TEL(011 52 664) 628-0804
FAX(011 52 664) 627-8906

EC NO 09-0585	DWG ORIG MSAUCEDO
EC DATE 11/12/09	ORIG DATE 10/30/09
EC ORIG MSAUCEDO	UPD BY -
EC APP RROXAS	UPD DATE -
DEPT 509BE	SIZE ISO A4

GEOMETRICAL DIMENSIONING AND TOLERANCING:
ASME Y14.5M-1994
UNLESS OTHERWISE SPECIFIED ALL DIMENSIONS ARE IN:
MILLIMETERS [INCHES]
UNLESS OTHERWISE SPECIFIED ALL TOLERANCES ARE:
FRAC ANGLES FINISH
± 1/64 ± 2 N/A



DECIMALS
± X.XX = ± 0.3 [±0.12]

DWG NO WEB-0001	DWG REV IR
TO-220 LEAD FORM MATRIX	
 INTERNATIONAL RECTIFIER TIJUANA, BC, MEXICO	
SCALE NONE	SHEET 6 OF 6