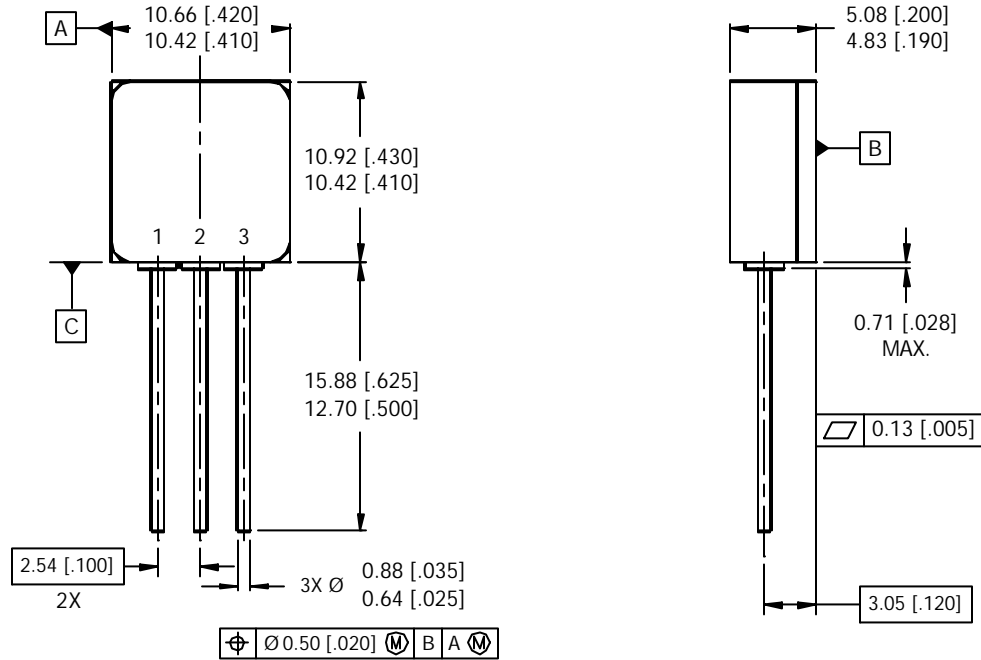


TO-257AA TABLESS OUTLINE



PIN ASSIGNMENTS

CERAMIC EYELETS

IRFY___CM
IRHY___CM

CERAMIC EYELETS

IRFY___C

GLASS EYELETS

IRFY___M

GLASS EYELETS

IRFY___

CERAMIC EYELETS		CERAMIC EYELETS		GLASS EYELETS		GLASS EYELETS	
MOSFET	SCHOTTKY SINGLE DIE	MOSFET	SCHOTTKY DUAL DIE	MOSFET	SCHOTTKY SINGLE DIE	MOSFET	SCHOTTKY DUAL DIE
1 = DRAIN	1 = CATHODE	1 = GATE	1 = ANODE 1	1 = DRAIN	1 = CATHODE	1 = GATE	1 = ANODE 1
2 = SOURCE	2 = NO CONNECTION	2 = DRAIN	2 = COMMON CATHODE	2 = SOURCE	2 = NO CONNECTION	2 = DRAIN	2 = COMMON CATHODE
3 = GATE	3 = ANODE	3 = SOURCE	3 = ANODE 2	3 = GATE	3 = ANODE	3 = SOURCE	3 = ANODE 2

NOTES:

1. DIMENSIONING & TOLERANCING PER ANSI Y14.5M-1994.
2. CONTROLLING DIMENSION: INCH.
3. DIMENSIONS ARE SHOWN IN MILLIMETERS [INCHES].
4. TO-257AA TABLESS IS A MODIFIED JEDEC OUTLINE TO-257AA.