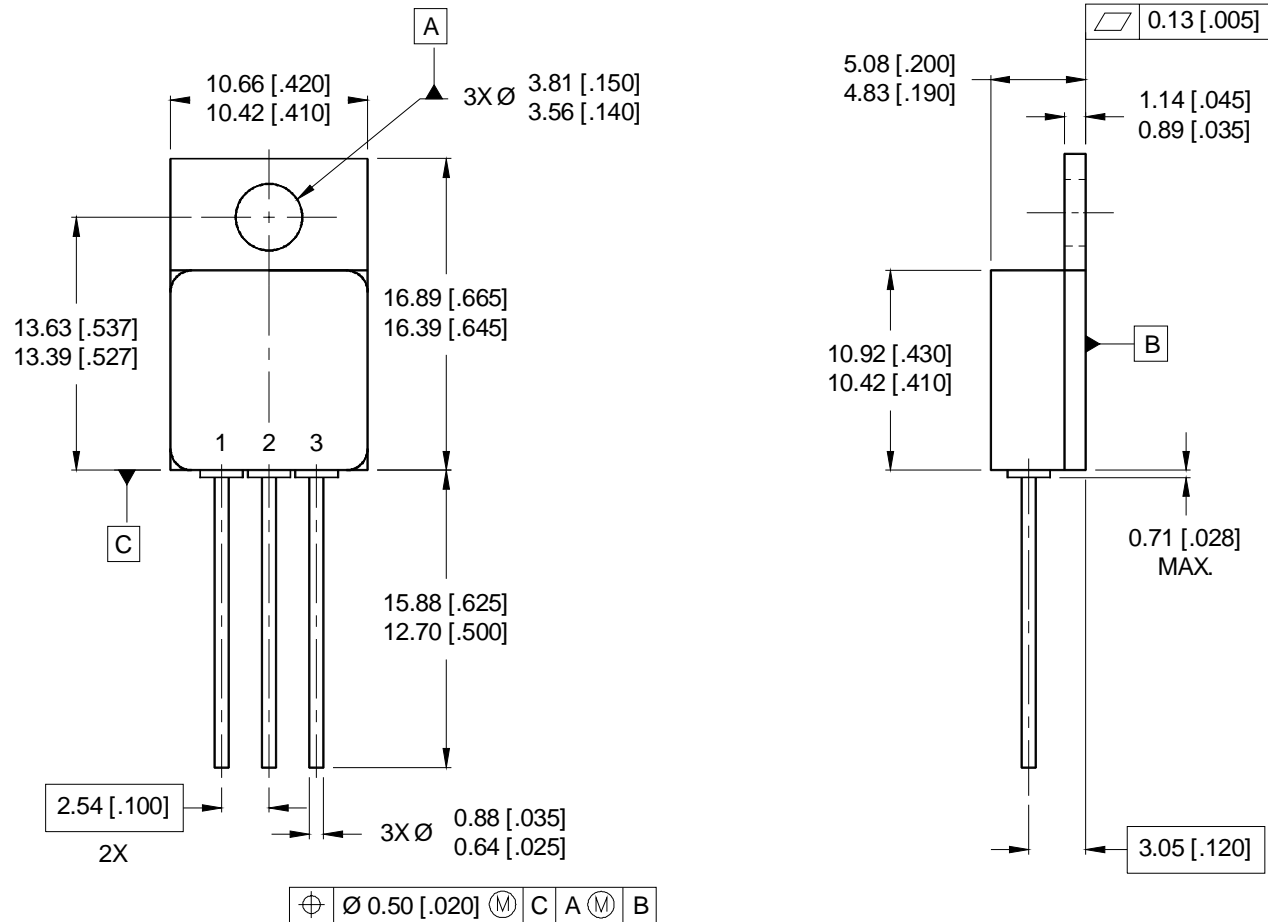


Case Outline and Dimensions - TO-257AA



PIN ASSIGNMENTS

CERAMIC EYELETS

IRFY___CM
IRHY___CM

CERAMIC EYELETS

IRFY___C

GLASS EYELETS

IRFY___M

GLASS EYELETS

IRFY___

MOSFET
1 = DRAIN
2 = SOURCE
3 = GATE

SCHOTTKY SINGLE DIE
1 = CATHODE
2 = NO CONNECTION
3 = ANODE

MOSFET
1 = GATE
2 = DRAIN
3 = SOURCE

SCHOTTKY DUAL DIE
1 = ANODE 1
2 = COMMON CATHODE
3 = ANODE 2

MOSFET
1 = DRAIN
2 = SOURCE
3 = GATE

SCHOTTKY SINGLE DIE
1 = CATHODE
2 = NO CONNECTION
3 = ANODE

MOSFET
1 = GATE
2 = DRAIN
3 = SOURCE

SCHOTTKY DUAL DIE
1 = ANODE 1
2 = COMMON CATHODE
3 = ANODE 2