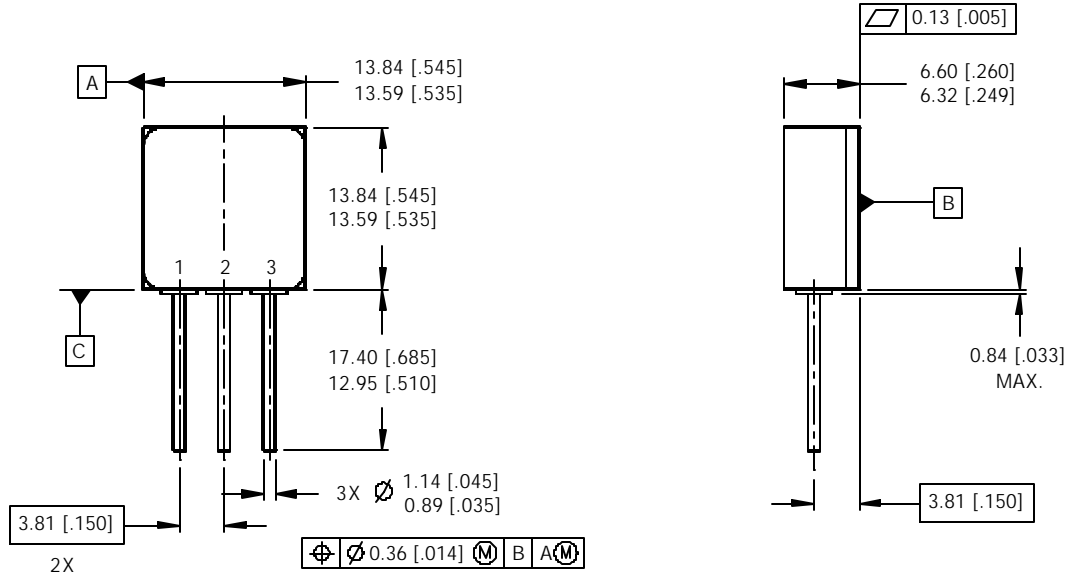


TO-254AA TABLESS OUTLINE



NOTES:

1. DIMENSIONING & TOLERANCING PER ASME Y14.5M-1994.
2. ALL DIMENSIONS ARE SHOWN IN MILLIMETERS [INCHES].
3. CONTROLLING DIMENSION: INCH.
4. THIS OUTLINE IS A MODIFIED TO-254AA JEDEC OUTLINE.

PIN ASSIGNMENTS

MOSFET	SCHOTTKY SINGLE DIE	SCHOTTKY DUAL DIE
1 = DRAIN	1 = CATHODE	1 = ANODE 1
2 = SOURCE	2 = NO CONNECTION	2 = COMMON CATHODE
3 = GATE	3 = ANODE	3 = ANODE 2