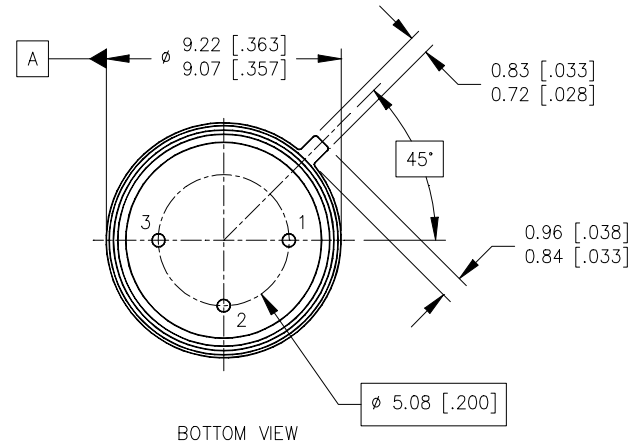
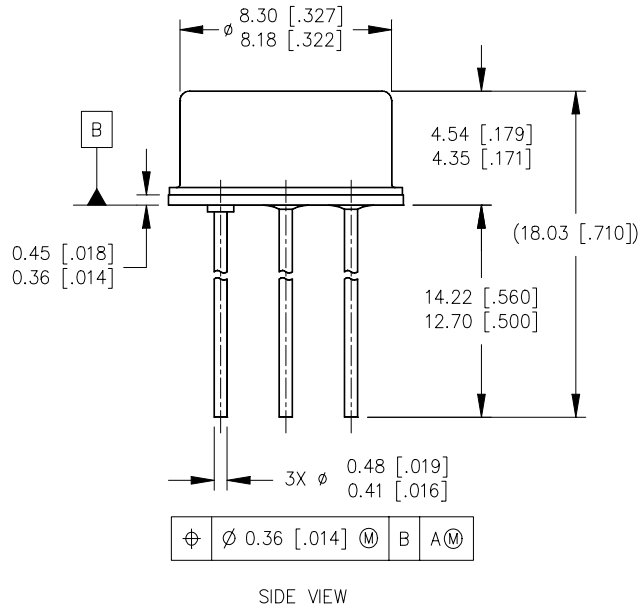


Case Outline and Dimensions - TO-205AF



NOTES:

1. DIMENSIONING AND TOLERANCING PER ASME 14.5M-1994.
2. DIMENSIONS ARE SHOWN IN MILLIMETERS [INCHES].
3. CONTROLLING DIMENSION: INCH.
4. CONFORMS TO JEDEC OUTLINE TO-205AF (TO-39).

Lead Assignments

- 1 = SOURCE
- 2 = GATE
- 3 = DRAIN