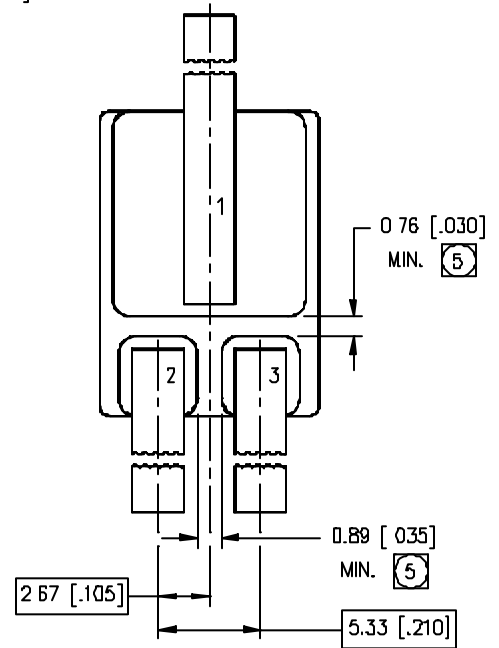
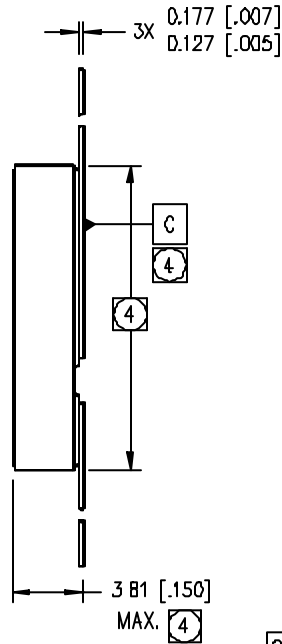
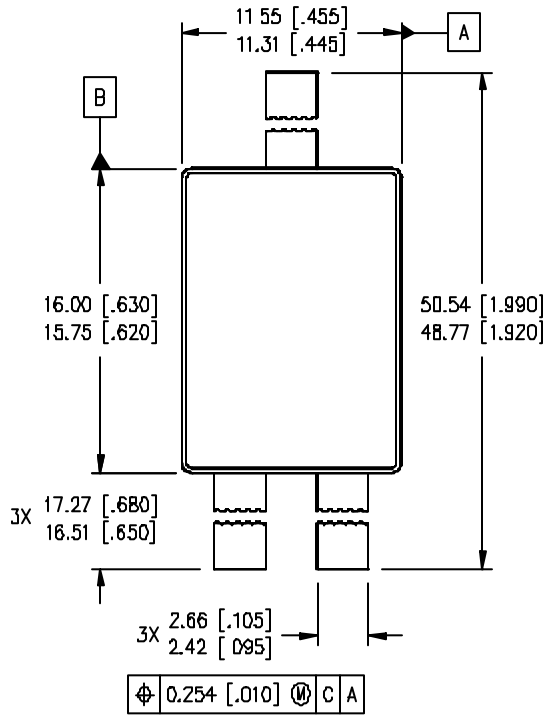


# SMD-1 W/LEADS OUTLINE



## LEAD ASSIGNMENTS

MOSFET	SCHOTTKY SINGLE DIE	SCHOTTKY DUAL DIE
1 = DRAIN	1 = CATHODE	1 = CATHODE
2 = GATE	2 = COMMON ANODE	2 = ANODE 1
3 = SOURCE	3 = COMMON ANODE	3 = ANODE 2

## NOTES:

- DIMENSIONING & TOLERANCING PER ASME Y14.5M-1994.
- CONTROLLING DIMENSION: INCH.
- DIMENSIONS ARE SHOWN IN MILLIMETERS [INCHES].

- DATUM PLANE C & MAX. HEIGHT DIMENSION ARE MEASURED WITHIN THIS AREA.
- DIMENSION DOES NOT INCLUDE METALIZATION FLASH.