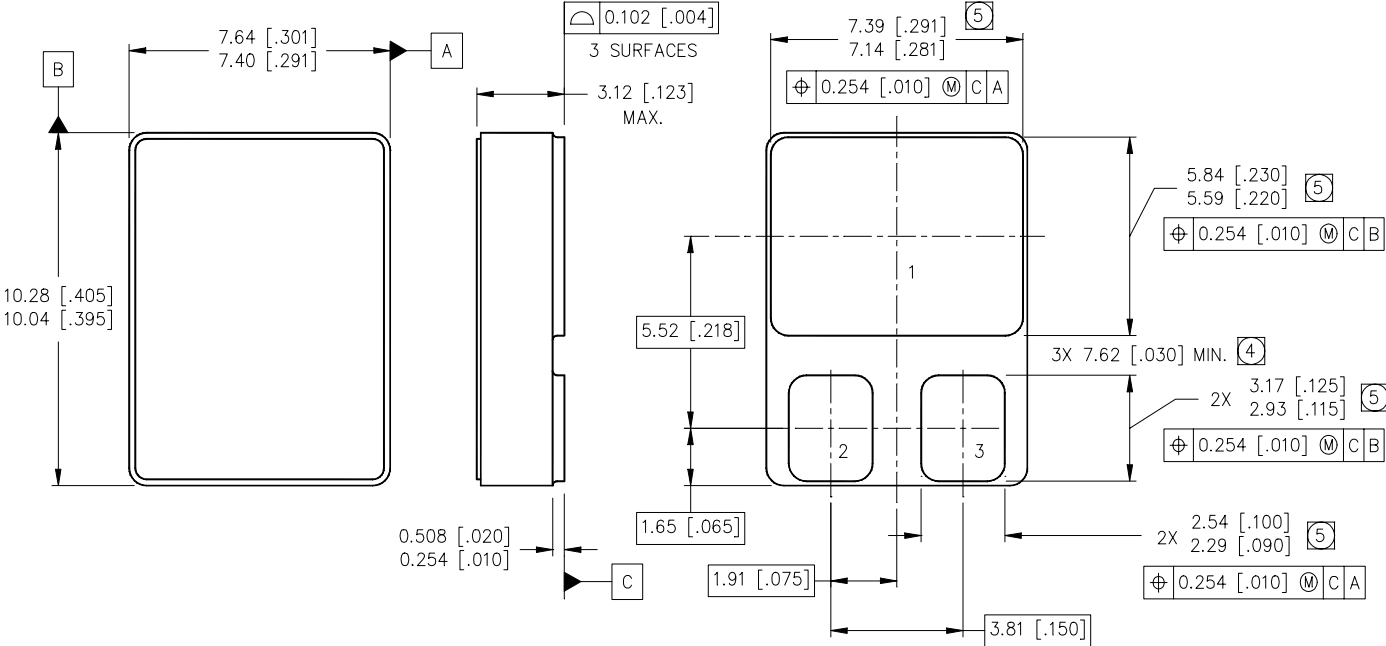


Case Outline and Dimensions - SMD-0.5 (Metal Lid)



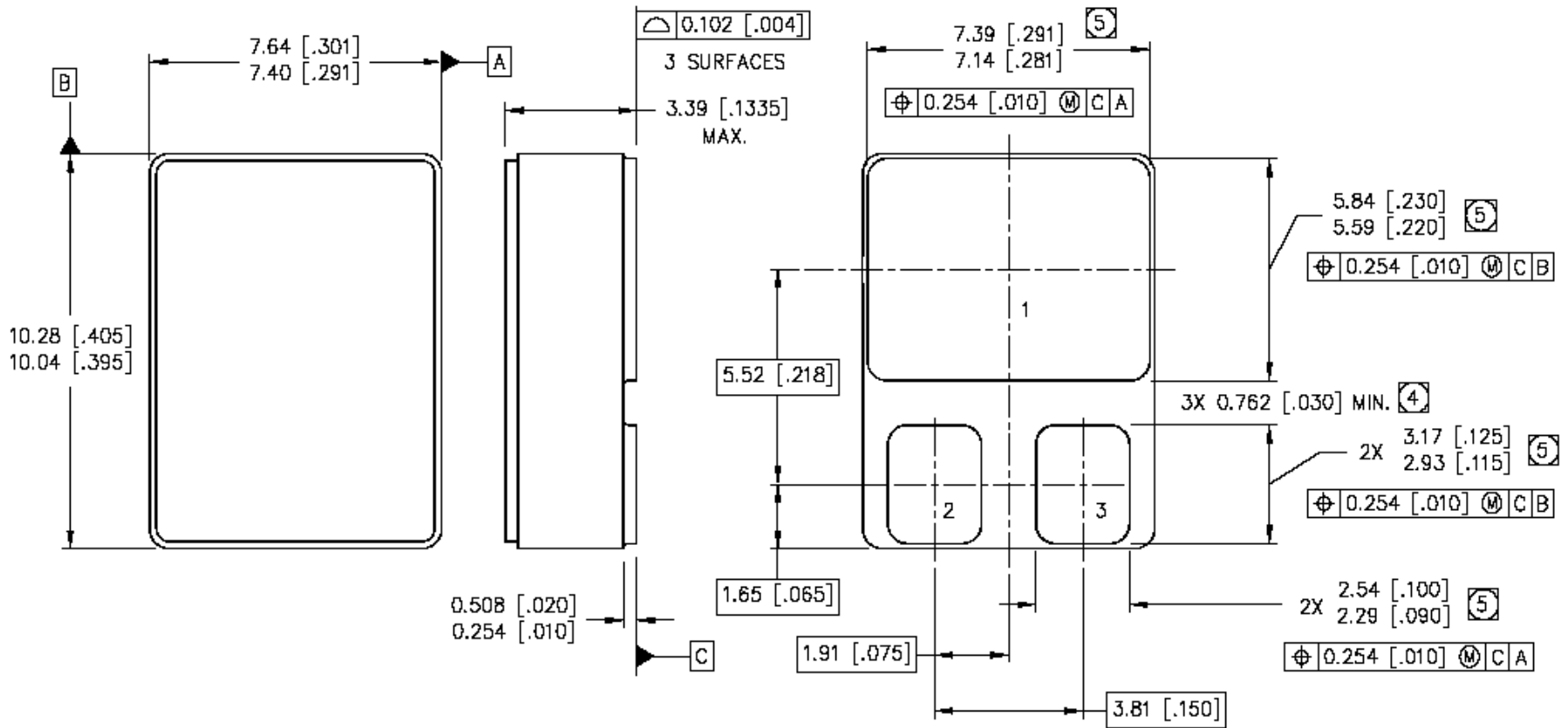
NOTES:

1. DIMENSIONING & TOLERANCING PER ASME Y14.5M-1994.
2. CONTROLLING DIMENSION: INCH.
3. DIMENSIONS ARE SHOWN IN MILLIMETERS [INCHES].
- (4) DIMENSION INCLUDES METALLIZATION FLASH.
- (5) DIMENSION DOES NOT INCLUDE METALLIZATION FLASH.

PAD ASSIGNMENTS

MOSFET	SCHOTTKY SINGLE DIE	SCHOTTKY DUAL DIE
1 = DRAIN	1 = CATHODE	1 = CATHODE
2 = GATE	2 = COMMON ANODE	2 = ANODE 1
3 = SOURCE	3 = COMMON ANODE	3 = ANODE 2

Case Outline and Dimensions - SMD-0.5 (Ceramic Lid)



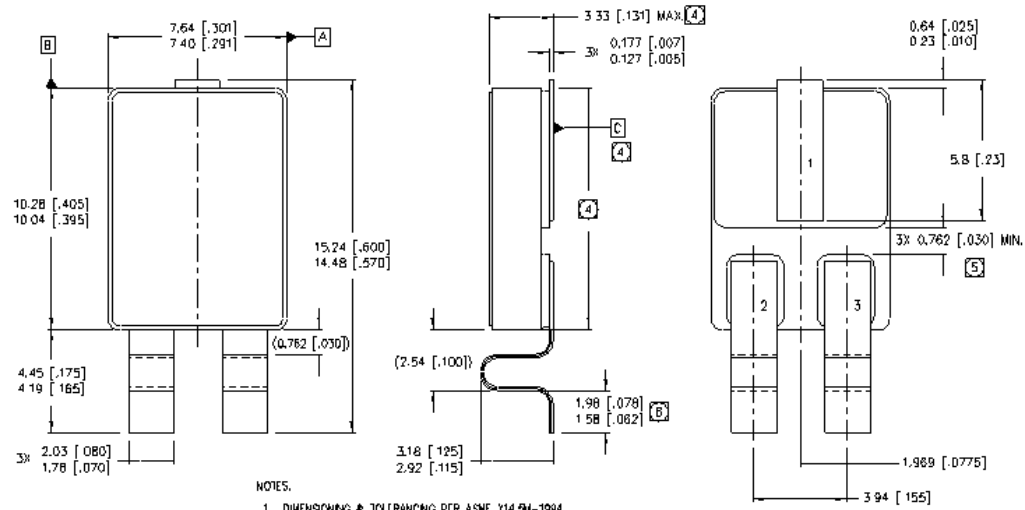
NOTES:

1. DIMENSIONING & TOLERANCING PER ASME Y14.5M-1994.
2. CONTROLLING DIMENSION: INCH.
3. DIMENSIONS ARE SHOWN IN MILLIMETERS [INCHES].
4. DIMENSION INCLUDES METALLIZATION FLASH.
5. DIMENSION DOES NOT INCLUDE METALLIZATION FLASH.

PAD ASSIGNMENTS

MOSFET	SCHOTTKY SINGLE DIE	SCHOTTKY DUAL DIE
1 = DRAIN	1 = CATHODE	1 = CATHODE
2 = GATE	2 = COMMON ANODE	2 = ANODE 1
3 = SOURCE	3 = COMMON ANODE	3 = ANODE 2

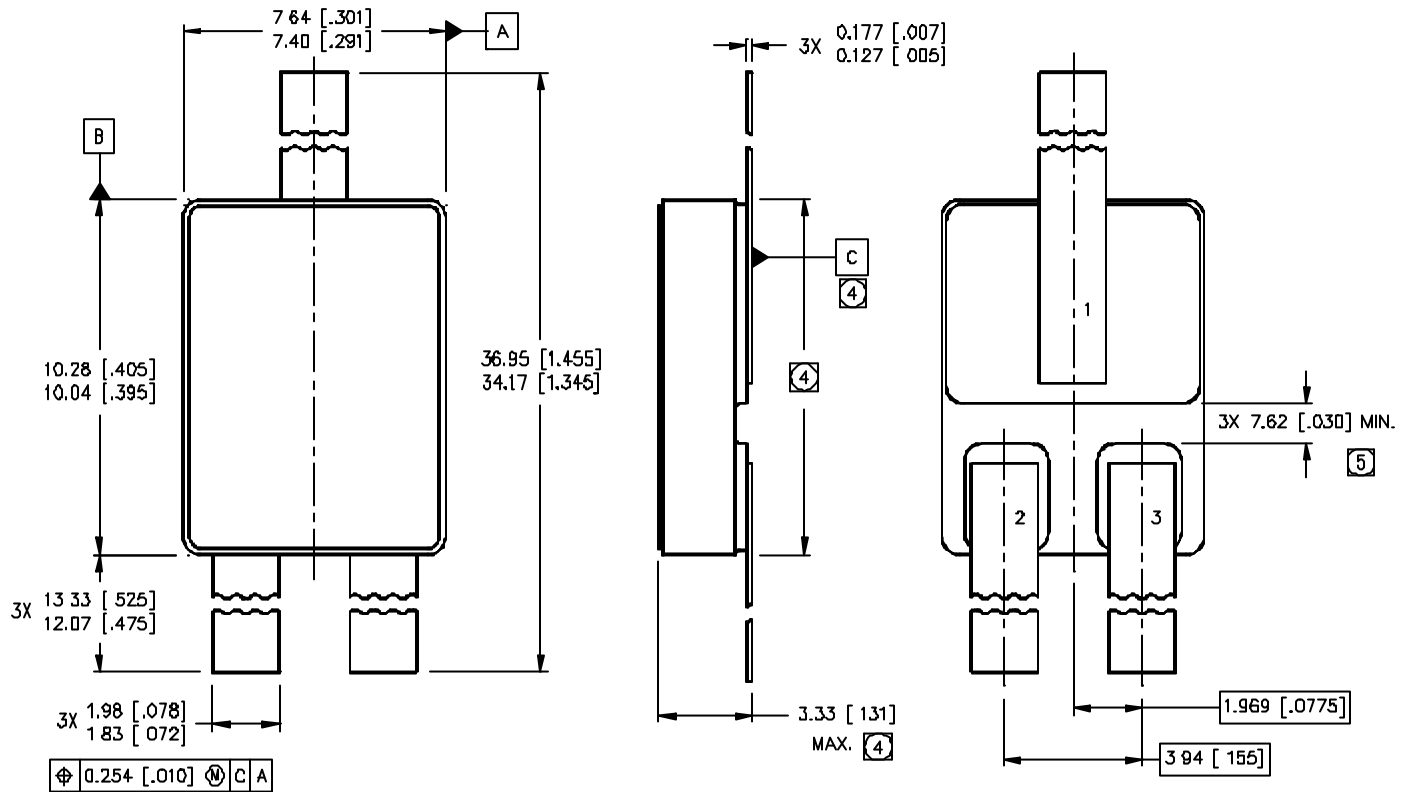
SMD-05 LEADFORMED OUTLINE



NOTES.

- 1 DIMENSIONING & TOLERANCING PER ASME Y14.5M-1994
- 2 CONTROLLING DIMENSION: INCH
- 3 DIMENSIONS ARE SHOWN IN MILLIMETERS [INCHES]
- [4] DATUM PLANE C & MAX. HEIGHT DIMENSION ARE MEASURED WITHIN THIS AREA.
- [5] DIMENSION INCLUDES METALLIZATION FLASH.
- [6] DIMENSION IS LENGTH OF LEAD FOR SOLDERING TO A SUBSTRATE.

SMD-05 W/LEADS OUTLINE



NOTES:

1. DIMENSIONING & TOLERANCING PER ASME Y14.5M-1994
2. CONTROLLING DIMENSION: INCH.
3. DIMENSIONS ARE SHOWN IN MILLIMETERS [INCHES].
4. DATUM PLANE C & MAX. HEIGHT DIMENSION ARE MEASURED WITHIN THIS AREA.
5. DIMENSION INCLUDES METALLIZATION FLASH

LEAD ASSIGNMENTS

MOSFET	SCHOTTKY SINGLE DIE	SCHOTTKY DUAL DIE
1 = DRAIN	1 = CATHODE	1 = CATHODE
2 = GATE	2 = COMMON ANODE	2 = ANODE 1
3 = SOURCE	3 = COMMON ANODE	3 = ANODE 2