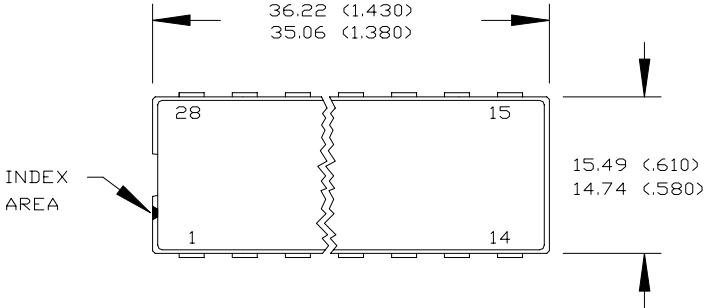
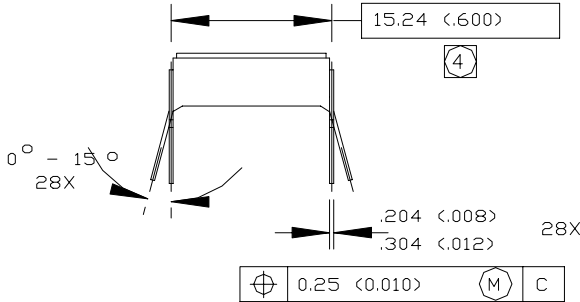
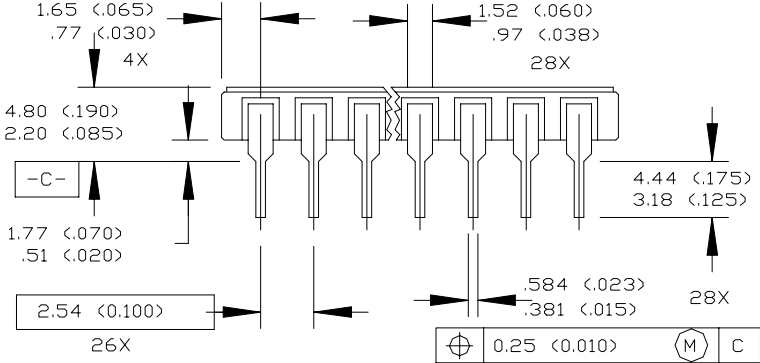


Case Outline and Dimensions - MO-038AB



PINOUT ASSIGNMENT

28	V _{B1}	27	-HD1	26	-VS1	25	-NC	24	V _{B2}	23	-HD2	22	-VS2	21	-NC	20	V _{B3}	19	-HD3	18	-VS3	17	-NC	16	-LD1	15	-LD2
1	V _{CC}	2	HIN1	3	HIN2	4	HIN3	5	LIN1	6	LIN2	7	LIN3	8	FAULT	9	ITRIP	10	CA0	11	CA-	12	V _{SS}	13	V _{SD}	14	LO3



NOTES:

- 1 DIMENSIONING & TOLERANCING PER ANSI Y14.5M, 1982.
- 2 CONTROLLING DIMENSION : INCH.

- 3 DIMENSIONS ARE SHOWN IN MILLIMETERS (INCHES).
- 4 DIMENSION IS TO CENTER OF LEADS WHEN FORMED PARALLEL.
- 5 OUTLINE CONFORMS TO JEDEC OUTLINE MO-038AB.