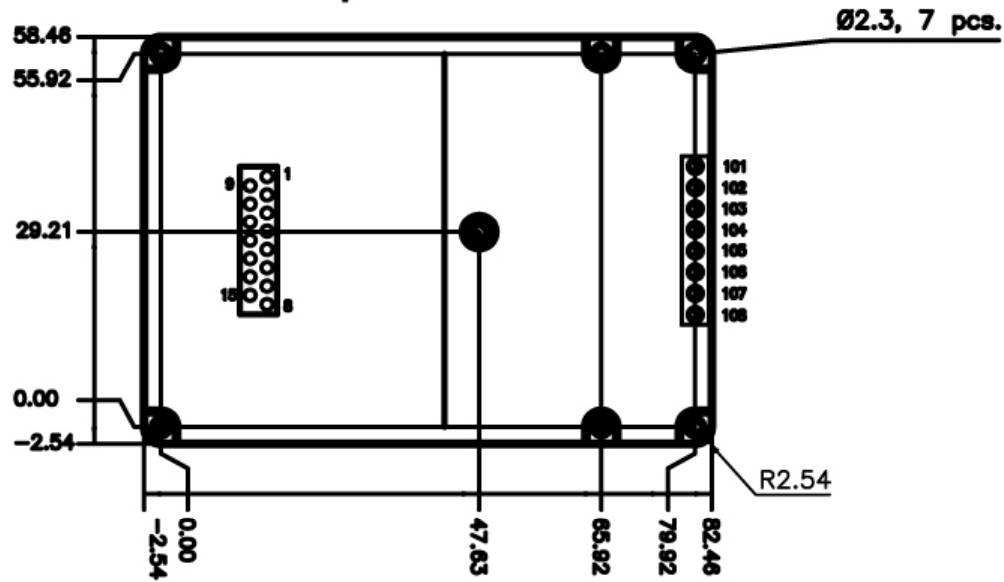
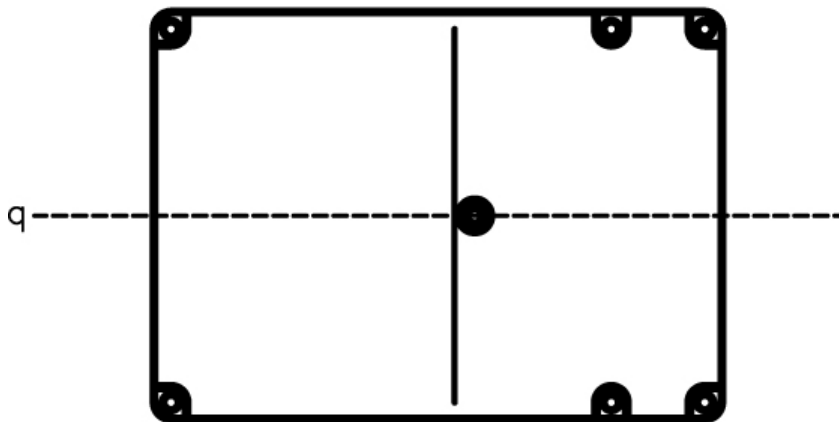
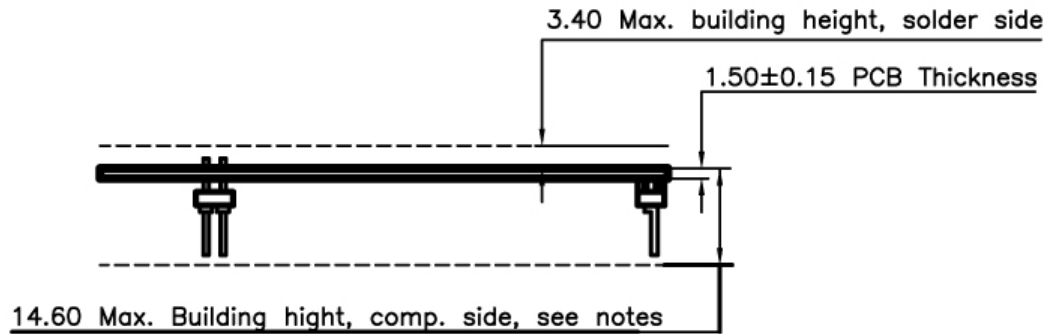


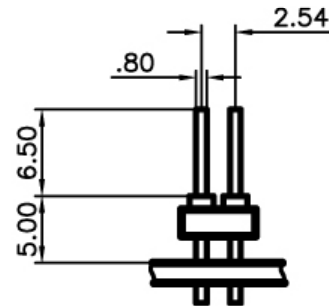
# Top View



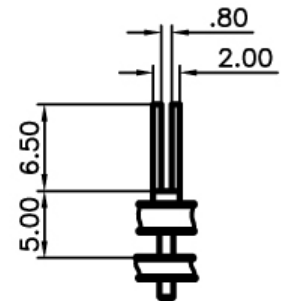
# MA Series Package Outline



# Bottom View



**INPUT TERMINALS**  
Round shape  
Pitch 2.54x2.74



**OUTPUT TERMINALS**  
Fork shape  
Pitch: 3.18