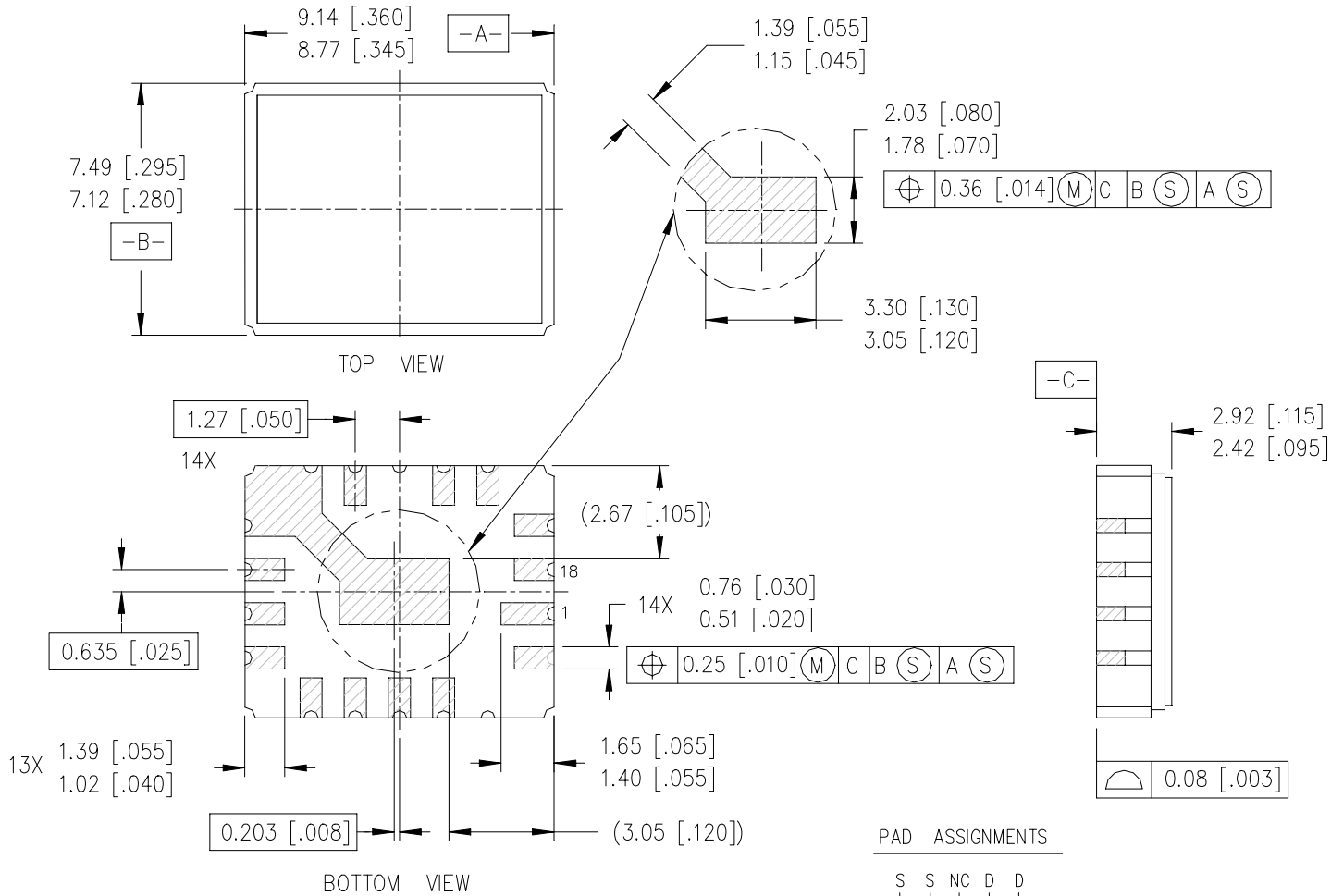
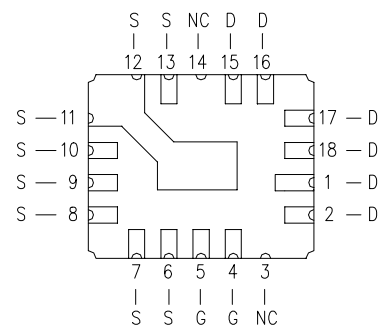


# Case Outline and Dimensions - 18 pin LCC (HEXFET)



### PAD ASSIGNMENTS



### LEGEND

- G = GATE
- D = DRAIN
- S = SOURCE
- NC = NO CONNECTION

### NOTES:

1. DIMENSIONING & TOLERANCING PER ANSI Y14.5M-1982.
2. CONTROLLING DIMENSION: INCH.
3. DIMENSIONS ARE SHOWN IN MILLIMETERS [INCHES].