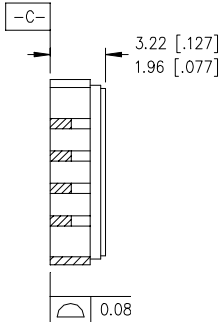
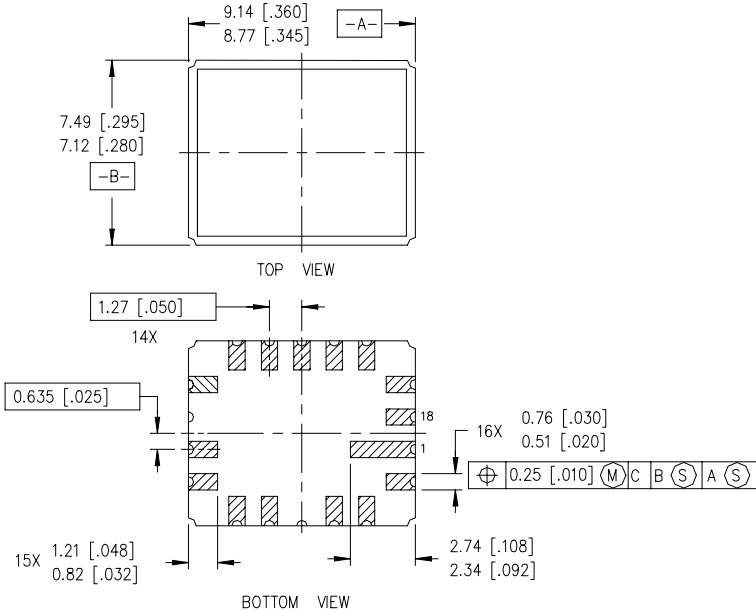
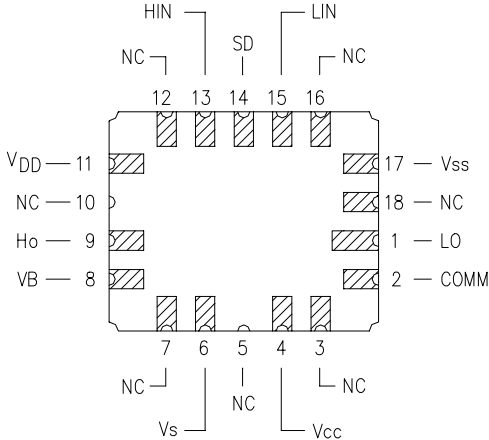


# Case Outline and Dimensions - LCC-18 CIC



### PAD ASSIGNMENTS



### NOTES:

1. DIMENSIONING & TOLERANCING PER ANSI Y14.5M-1982.
2. CONTROLLING DIMENSION: INCH.
3. DIMENSIONS ARE SHOWN IN MILLIMETERS [INCHES].