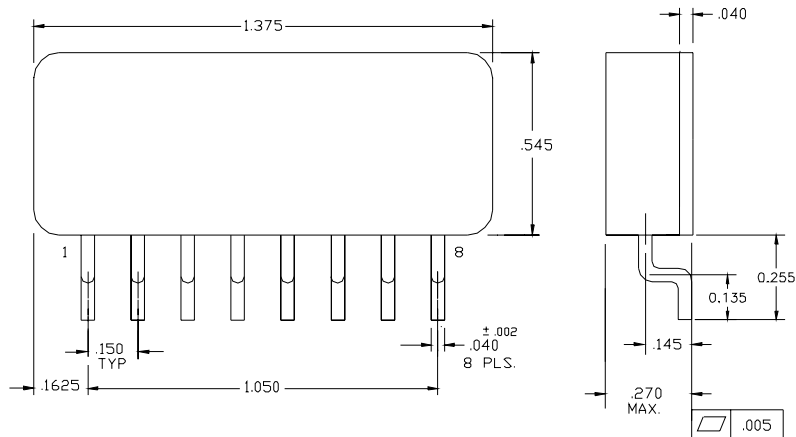


Case Outline and Dimensions — 8-Pin Surface Mount Package



Pin Assignment

Pin #	Pin Description
1	OUT 1 +
2	OUT 1 -
3	INPUT GND
4	INPUT 1
5	V _{DD}
6	INPUT 2
7	OUT 2 -
8	OUT 2 +

Notes

1. Dimensioning and Tolerancing per ASME Y14.5SM-1994
2. Controlling Dimension: Inch
3. Dimensions are shown in inches
4. Tolerances are +/- 0.005 UOS