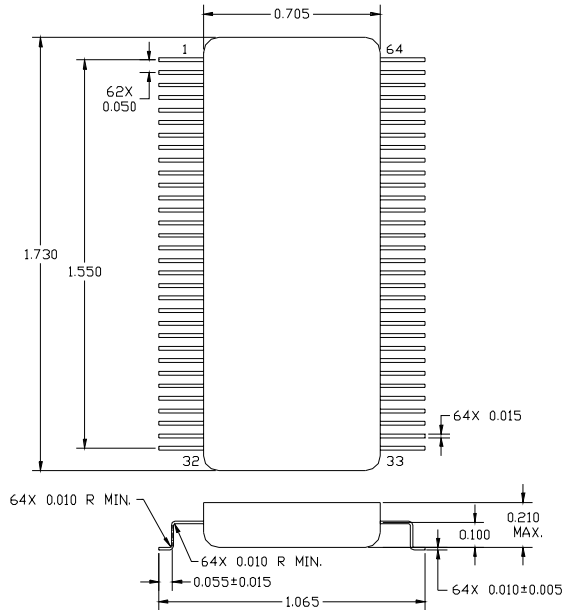


Case Outline and Dimensions — 64-Pin Flat Pak Package



Notes

1. Dimensioning and Tolerancing per ASME Y14.5SM-1994
2. Controlling Dimension: Inch
3. Dimensions are shown in inches
4. Tolerances are +/- 0.005 UOS