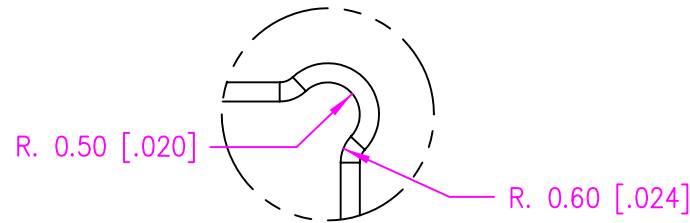
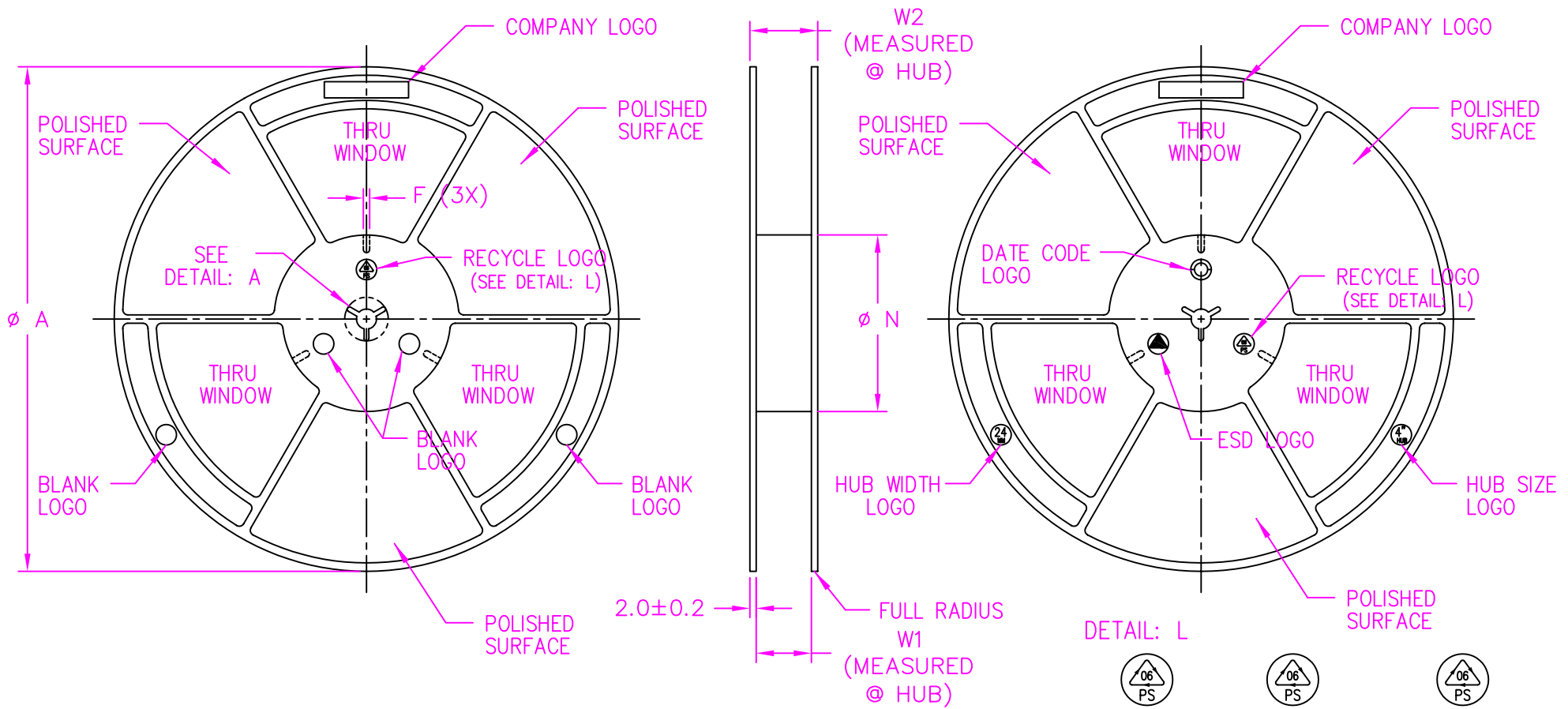


NOTES:

1. CONTROLLING DIMENSION: MILLIMETERS
2. DIMENSIONS ARE SHOWN IN MILLIMETERS [INCHES].
3. CONFORM TO EIA-481.
4. PARTS TO BE PLACED IN ANTISTATIC BAGS AND PLACED IN SEPARATE "PIZZA BOXES".



VER.	ESCN NUMBER	INT'L	DATE	APPROVAL SIGNATURE	UNLESS OTHERWISE SPECIFIED DIMENSIONS ARE: IN MM [INCHES] TOLERANCES ARE: DECIMALS .X = +/- .XX = +/- .XXX = +/- .XXXX = +/- .XXXXX = +/- ANGLES ∠ = +/- .5°	TAPE, CARRIER AND REEL, QFN 5 X 6 OUTLINE																				
1	PRODUCTION RELEASE PER ESCN 42805	GCR	3/20/08	<i>J. F.</i>		<table border="1"> <tr> <td>DRAWN BY</td> <td>G. C. RAMOS</td> <td>3/20/08</td> <td rowspan="2"> INTERNATIONAL RECTIFIER EL SEGUNDO, CALIFORNIA CAD GENERATED </td> </tr> <tr> <td>APPROVED BY</td> <td>J. FAJARDO</td> <td></td> </tr> <tr> <td>SIGNATURE & DATE</td> <td colspan="2"><i>J. Fajardo</i> 3/25/08</td> <td rowspan="2"> <table border="1"> <tr> <td>SHEET</td> <td>DRAWING NO.</td> <td>VER.</td> </tr> <tr> <td>1 / 3</td> <td>01-2034</td> <td>1</td> </tr> </table> </td> </tr> <tr> <td>DO NOT SCALE DRAWING</td> <td>SCALE</td> <td>ENLGMT</td> <td></td> </tr> </table>	DRAWN BY	G. C. RAMOS	3/20/08	INTERNATIONAL RECTIFIER EL SEGUNDO, CALIFORNIA CAD GENERATED	APPROVED BY	J. FAJARDO		SIGNATURE & DATE	<i>J. Fajardo</i> 3/25/08		<table border="1"> <tr> <td>SHEET</td> <td>DRAWING NO.</td> <td>VER.</td> </tr> <tr> <td>1 / 3</td> <td>01-2034</td> <td>1</td> </tr> </table>	SHEET	DRAWING NO.	VER.	1 / 3	01-2034	1	DO NOT SCALE DRAWING	SCALE	ENLGMT
DRAWN BY	G. C. RAMOS	3/20/08	INTERNATIONAL RECTIFIER EL SEGUNDO, CALIFORNIA CAD GENERATED																							
APPROVED BY	J. FAJARDO																									
SIGNATURE & DATE	<i>J. Fajardo</i> 3/25/08		<table border="1"> <tr> <td>SHEET</td> <td>DRAWING NO.</td> <td>VER.</td> </tr> <tr> <td>1 / 3</td> <td>01-2034</td> <td>1</td> </tr> </table>	SHEET	DRAWING NO.	VER.	1 / 3	01-2034	1																	
SHEET	DRAWING NO.	VER.																								
1 / 3	01-2034	1																								
DO NOT SCALE DRAWING	SCALE	ENLGMT																								

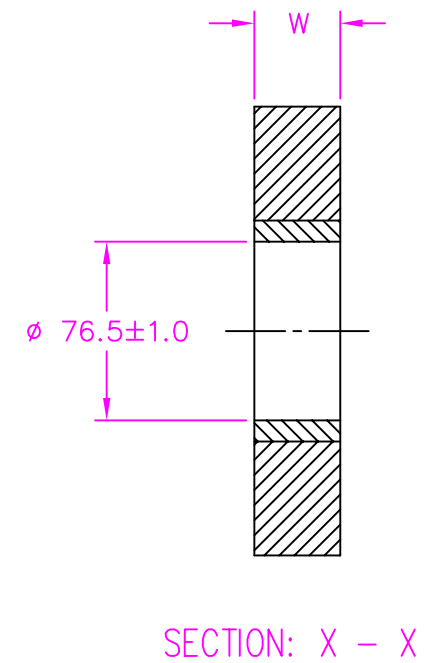
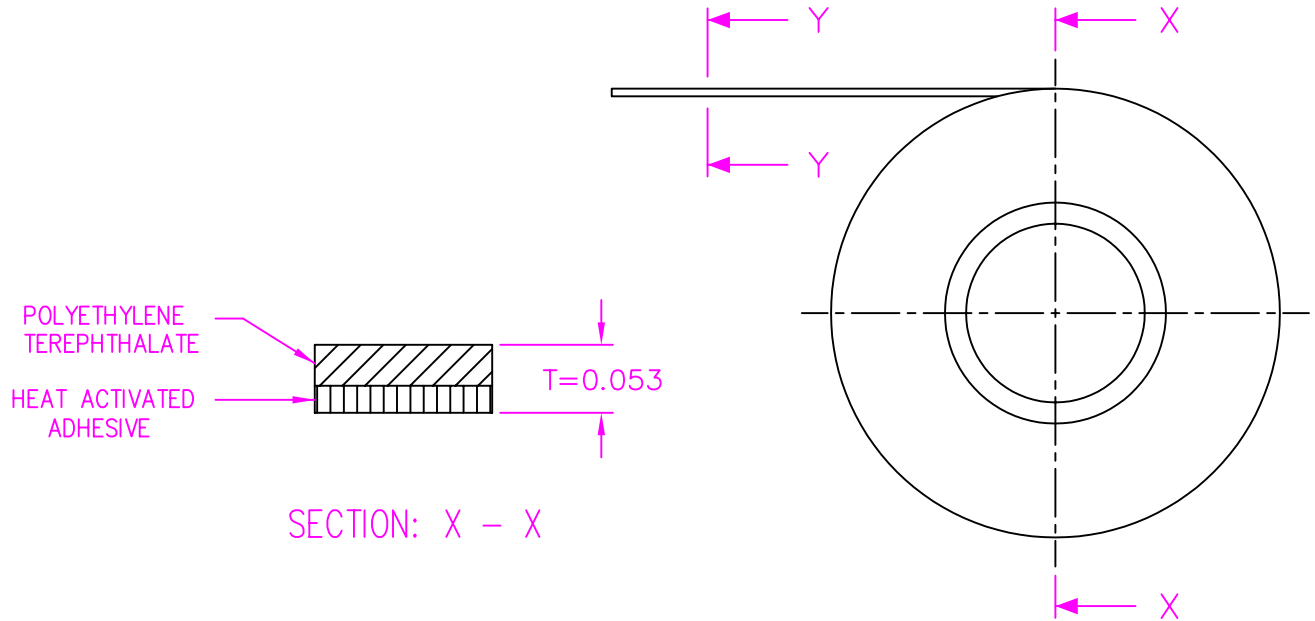


- NOTES:
1. GENERIC PRODUCT.
 2. FOR PRODUCT DRAWING ONLY.
 3. SUNBLAST ALL SURFACE UNLESS OTHERWISE STATED.
 4. MOLD 2

SURFACE RESISTIVITY			
LEGEND	SR RANGE	TYPE	COLOUR
A	BELOW 10^{12}	ANTISTATIC	ALL TYPES
B	10^6 TO 10^{11}	STATIC DISSIPATIVE	BLACK ONLY
C	10^5 & BELOW 10^5	CONDUCTIVE (GENERIC)	BLACK ONLY
D	10^5 TO 10^9	CONDUCTIVE (CUSTOM)	BLACK ONLY
E	BELOW 10^{12}	COATED ANTISTATIC	ALL COLOR

PRODUCT SPECIFICATION					
TAPE WIDTH	$\varnothing A$ ± 2.0	$\varnothing N$ ± 2.0	W1	W2 (MAX)	E (MIN)
08MM	330	100	$8.4^{+1.5}_{-0.0}$	14.4	2.5
12MM	330	100	$12.4^{+2.0}_{-0.0}$	18.4	2.5
16MM	330	100	$16.4^{+2.0}_{-0.0}$	22.4	2.5
24MM	330	100	$24.4^{+2.0}_{-0.0}$	30.4	2.5
32MM	330	100	$32.4^{+2.0}_{-0.0}$	38.4	2.5

13 X 4 WELDED REEL		
SHEET 2 / 3	DRAWING NO. 01-2034	VER. 1



NOTES:

1. THICKNESS: 0.048–0.058 mm.
2. STANDARD LENGTH: 300 m
3. TENSILE STRENGTH: 7.7 kg/mm sq.
4. ELONGATION: 120%
5. SURFACE RESISTIVITY: 10" ohms/SQ. MAX (STATIC DISSIPATIVE)
6. PEEL STRENGTH CONFORMS TO EIA SPEC. 55±2.5g
7. LUMINOUS TRANSMITTANCE: 91%
8. HAZE: 50%
9. OTHER COVER TAPE WIDTH REFER TO W14_08-04

ALL DIMENSIONS IN MILLIMETERS UNLESS OTHERWISE STATED

STANDARD COVER TAPE WIDTH (W ± 0.1)	CARRIER TAPE WIDTH
5.3, 5.4	8
9.2, 9.3	12
13.3	16
21.0, 21.3	24
25.5	32
37.5	44
49.5	56

CP24 COVER TAPE		
SHEET 3 / 3	DRAWING NO. 01-2034	VER. 1