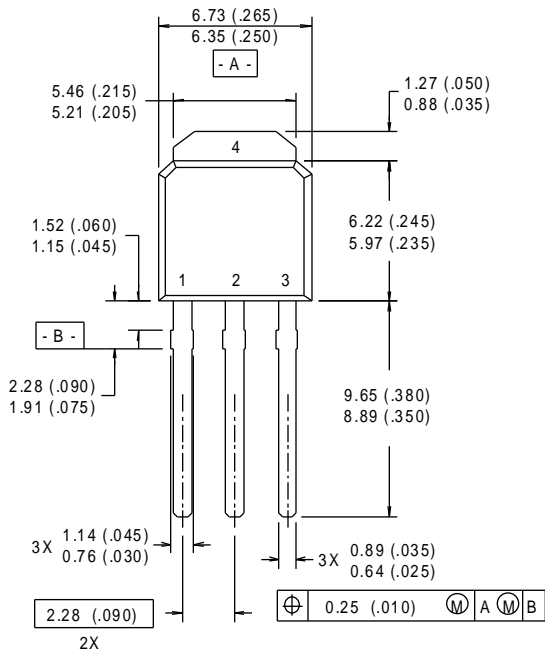


# Package Outline

## HEXFET I-PAK (TO-251AA) Outline

Dimensions are shown in millimeters (inches)



### LEAD ASSIGNMENTS

- 1 - GATE
- 2 - DRAIN
- 3 - SOURCE
- 4 - DRAIN

### NOTES:

- 1 DIMENSIONING & TOLERANCING PER ANSI Y14.5M, 1982.
- 2 CONTROLLING DIMENSION : INCH.
- 3 CONFORMS TO JEDEC OUTLINE TO-252AA.
- 4 DIMENSIONS SHOWN ARE BEFORE SOLDER DIP, SOLDER DIP MAX. +0.16 (.006).
- 5 LEADS & DRAIN CONTACT ARE PLATED: 85%/15% Sn/Pb NOMINAL.

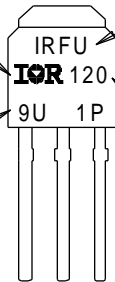
# Part Marking Information

## HEXFET I-PAK (TO-251AA)

EXAMPLE : THIS IS AN IRFU120  
WITH ASSEMBLY  
LOT CODE 9U1P

INTERNATIONAL  
RECTIFIER  
LOGO

ASSEMBLY  
LOT CODE



FIRST PORTION  
OF PART NUMBER

SECOND PORTION  
OF PART NUMBER