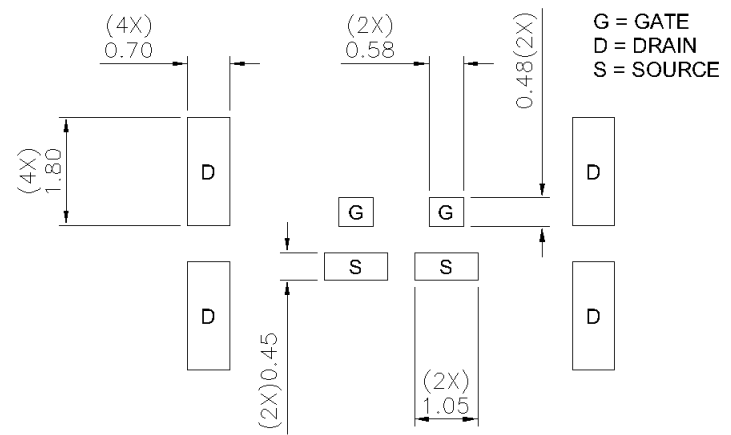
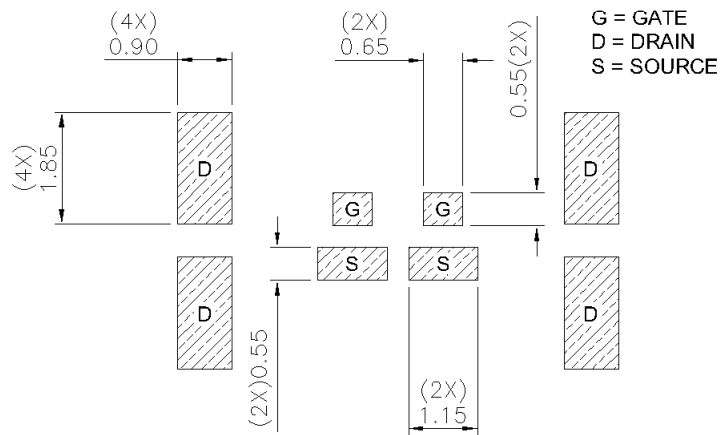
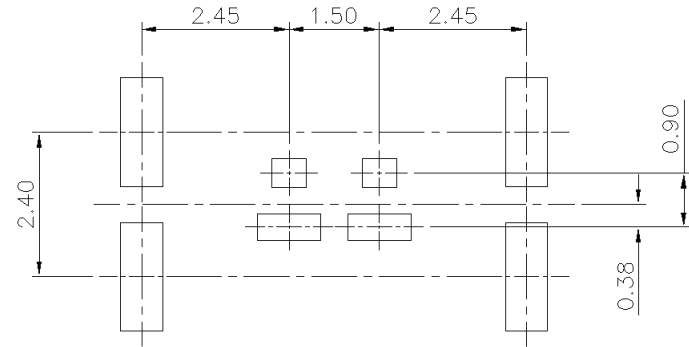
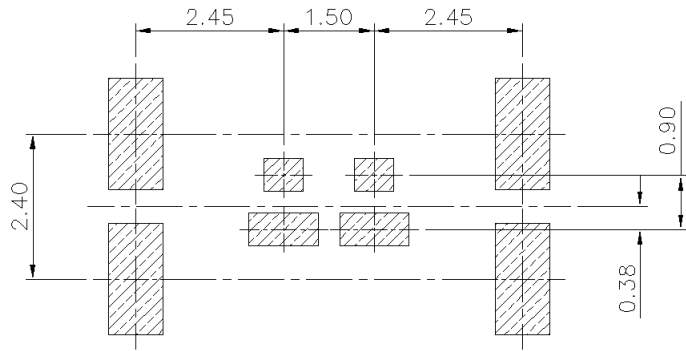


DirectFET™ MA Outline, PCB Footprint & Stencil Layout (Device Top View).



PCB Footprint

Stencil Layout