

# Low frequency transformer based SOHO UPS design

## Application note



**Author:** Peter B. Green

## About this document

### Scope and purpose

The purpose of this document is to provide a comprehensive functional description and guide to the Uninterruptible Power Supply (UPS) demonstration board based on the offline bidirectional full-bridge topology and including a 50/60 Hz laminated iron-cored power transformer. The circuit functionality is discussed in detail during both back-up and charging modes of operation. System implementation including converter architecture, control algorithms and firmware is described in detail. Waveforms are shown under all operating conditions and test measurement data is presented.

### Important Notes

1. Firmware has been updated to V1.0 to include bug fixes and new features. This application note has been updated to include these changes.
2. The PCB solder resist color has been changed from green to blue on later built units, however there is no difference to the board design.

### Intended audience

Design engineers, applications engineers and students.

### Infineon components featured

- **IRFS7440** 40 V N-channel IR MOSFET in a D<sup>2</sup>PAK
- **2EDL8124G** level-shift high-side, low-side half-bridge gate driver (EiceDRIVER™)
- **XMC1301-TO16F0032** 32-bit microcontroller with ARM® Cortex-M0 (XMC™)

## Table of contents

<b>About this document.....</b>	<b>1</b>
<b>Table of contents.....</b>	<b>2</b>
<b>1 Introduction .....</b>	<b>3</b>
1.1 UPS types.....	3
1.2 Evaluation board description .....	5
1.3 Important notices.....	7
<b>2 Evaluation board specifications .....</b>	<b>8</b>
2.1 Evaluation board connections.....	9
<b>3 Schematics.....</b>	<b>10</b>
<b>4 Functional description .....</b>	<b>12</b>
4.1 UPS system operation.....	12
4.1.1 Back-up (inverter) mode power conversion .....	13
4.1.2 Battery charging operation.....	15
4.2 Supervisory functions .....	17
4.2.1 AC input voltage sensing.....	17
4.2.2 AC output voltage sensing .....	17
4.2.3 Current Sense (CS) amplifiers.....	18
4.2.4 Thermal protection .....	19
4.2.5 Alarm buzzer and LED indicators.....	19
<b>5 Firmware .....</b>	<b>20</b>
5.1 XMC™ microcontroller .....	20
5.2 DAVE™ IDE.....	21
5.3 I/O pin configuration .....	23
5.4 Flowcharts .....	24
5.5 In-circuit debugging with Micrium µC probe .....	30
<b>6 Bill of Materials (BOM) .....</b>	<b>31</b>
6.1 Power board .....	31
6.2 Daughter card.....	34
<b>7 Transformer specifications.....</b>	<b>36</b>
<b>8 PCB layout.....</b>	<b>37</b>
8.1 Main power board layout and heatsinking.....	37
<b>9 Test results.....</b>	<b>39</b>
9.1 Back-up mode .....	39
9.1.1 Operating waveforms .....	42
9.2 Charging mode .....	52
9.2.1 Operating waveforms .....	53
9.3 Thermal performance (back-up mode) .....	55
<b>10 Conclusion .....</b>	<b>57</b>
<b>11 Appendix.....</b>	<b>58</b>
11.1 Firmware listings.....	58
<b>12 References .....</b>	<b>73</b>
<b>13 Revision history .....</b>	<b>74</b>

### Introduction

## 1 Introduction

### 1.1 UPS types

UPSs for use in Small Office or Home Office (SOHO) environments typically include MOSFET-based inverters that operate from 12 V or 24 V lead-acid batteries (24 V systems are comprised of two series-connected 12 V batteries). Higher battery voltages are required to limit operating currents in higher power-rated systems. 42 V and 72 V systems also exist for the same reason; however, since these are somewhat less common, this reference design is based on a 12 V battery. Batteries may be external or internal to the UPS; car batteries are used externally and sealed lead-acid batteries internally.

UPS systems can be classified into three main categories (see [Figure 1](#), [Figure 2](#), and [Figure 3](#)):

1. *Offline/standby*

When AC-line voltage is present a relay bypasses the inverter, which remains off. The battery charger operates to maintain full charge. If the AC power fails the relay switches the UPS output over to the inverter, which starts up after a short interruption of 10 to 20 ms to supply back-up power.

2. *Line-interactive*

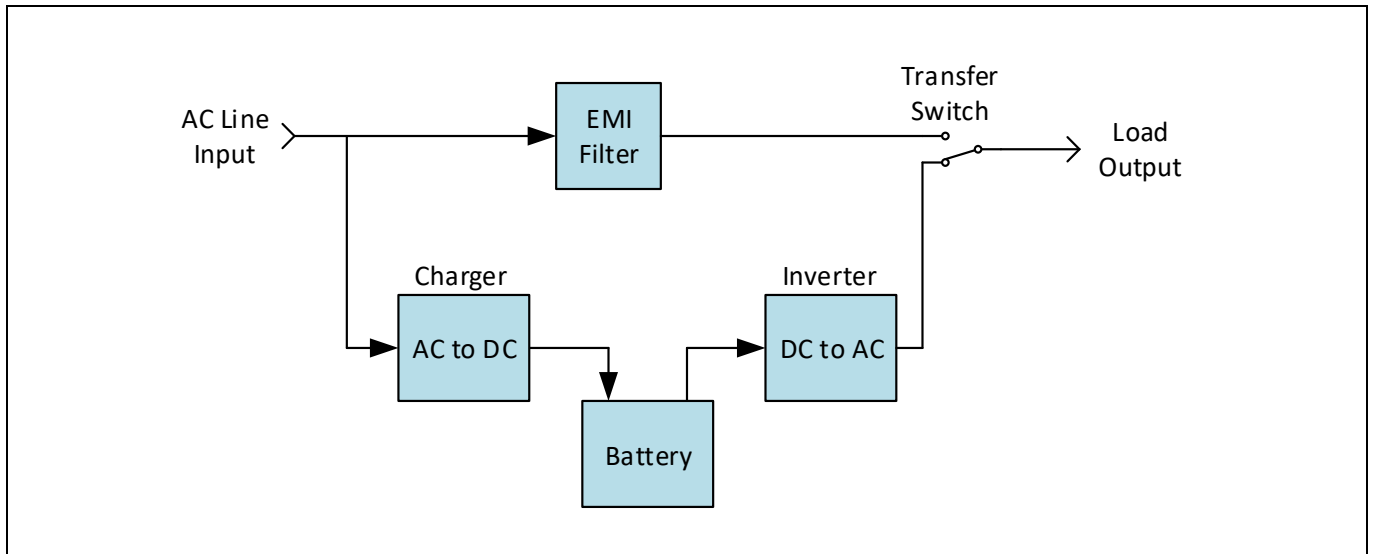
Similar to the offline UPS but includes some AC-line conditioning function to regulate the AC output to compensate for low- and high-line input voltage conditions and provide a more stable output voltage. The system is a line conditioner and offline UPS combined.

3. *On-line/double-conversion*

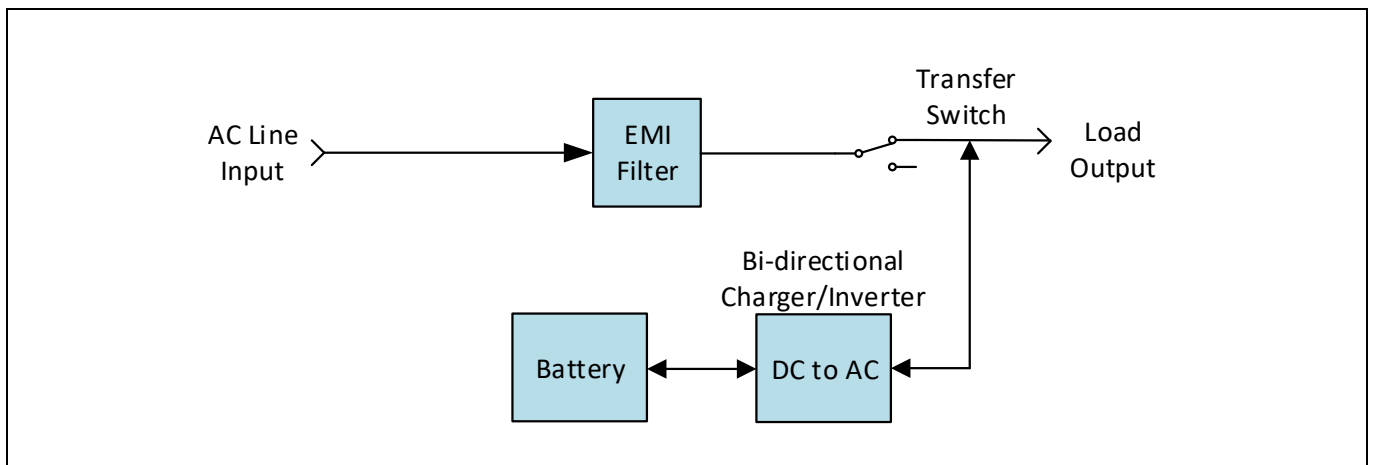
The AC input is converted to DC at the battery charge level and then converted back to AC so that in the event of an AC-line failure the system will switch seamlessly to battery back-up and the output will continue to run without interruption. Such systems provide a stable and clean AC output under all conditions, but there is an inherent efficiency loss with stages of conversion. More sophisticated systems are able to mitigate this by partially bypassing the two conversion stages during AC-line operation so that only a small amount of power passes through them. If AC input fails, the inverter stage is able to take the full load without interruption of the output.

SOHO UPS systems are mainly of the offline and line-interactive types. These can be broadly categorized into systems based on Low Frequency (LF) iron lamination-type transformers and High Frequency (HF) transformers based on ferrite cores. The most basic UPS types produce an unregulated 50 to 60 Hz square-wave output. Sine wave output inverters are preferred, however, since they offer better power quality with regulated output voltage to avoid any potential stress that may occur with some types of appliance. Systems also exist that produce an approximate sine wave output with high distortion. The evaluation board discussed here is based on a LF transformer and produces a low distortion sine wave output waveform.

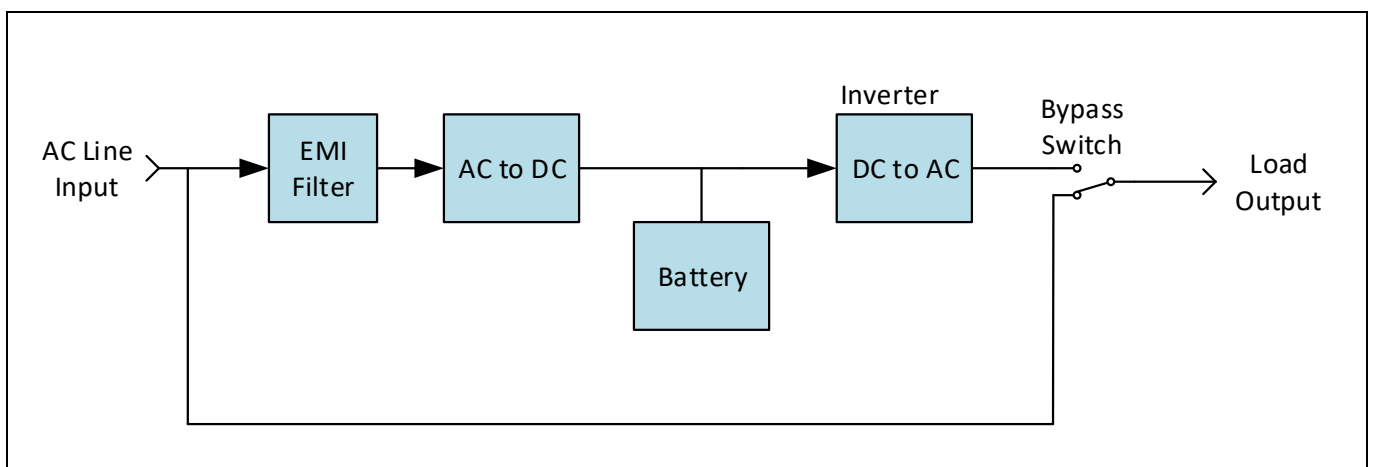
### Introduction



**Figure 1** Offline UPS block diagram



**Figure 2** Bidirectional offline UPS block diagram

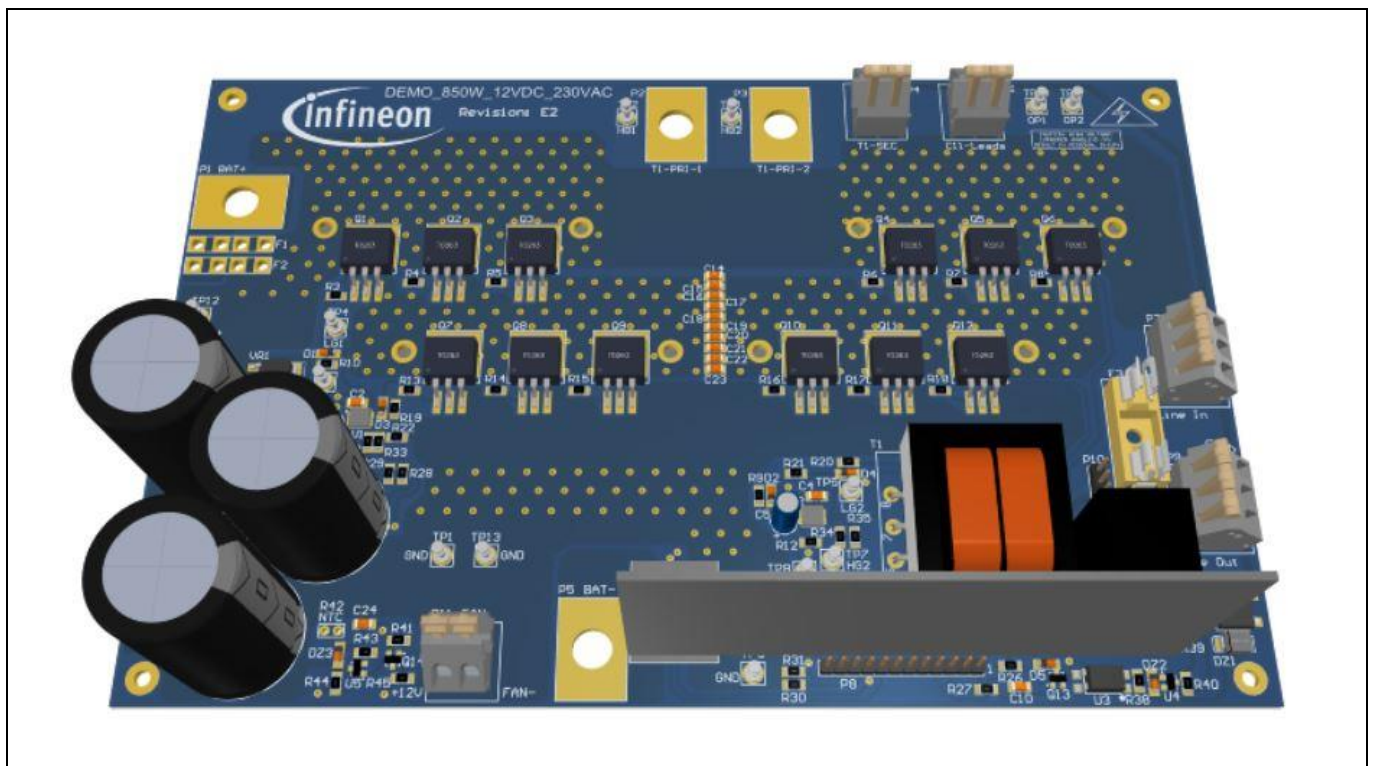


**Figure 3** Online UPS block diagram

## 1.2 Evaluation board description

The DEMO\_850W\_12VDC\_230VAC demonstration board is a cost-competitive offline UPS solution designed for operation with a LF iron lamination core transformer. The system block diagram is shown in [Figure 2](#), which represents the bidirectional inverter/charger system. When 230 V AC mains voltage is available the output is connected to the input through a relay, and battery charging occurs. If the mains input voltage falls below a threshold of approximately 200 V AC (adjustable in the firmware) then the relay contacts open, disconnecting the output from the mains input, and the inverter starts up to provide back-up AC power. A buzzer sounds to indicate AC input power failure. When the battery discharges below a certain level indicated by the terminal voltage, the inverter shuts down. If AC power is restored, the inverter stops and the relay contacts close, connecting the output back to the input.

The inverter/charger is implemented with a full-bridge topology consisting of four banks of three parallel MOSFETs with 2EDL series junction isolation technology high-side/low-side gate drivers located on the main board. All control functions are performed by an XMC1301 series M0 ARM core-based microcontroller and associated circuitry located on the daughter card, which is vertically plugged into the main board.



**Figure 4** DEMO\_850W\_12VDC\_230VAC board

As is typically the case in UPS systems based on iron-cored transformers, the main transformer primary and secondary connections are connected to the board via terminals provided. Connections to the AC input and output and the battery as well as the output filter capacitor are also provided.

The main transformer shown below is designed to transfer up to 850 VA at 50 Hz, which requires it to use a core constructed from iron laminations with large-diameter wire for the primary winding to support the high current. This transformer is large and very heavy and is therefore mounted separately from the UPS board.

**Attention:** *The main transformer is very heavy and should be transported on a cart. Dropping the transformer could cause serious injury!*

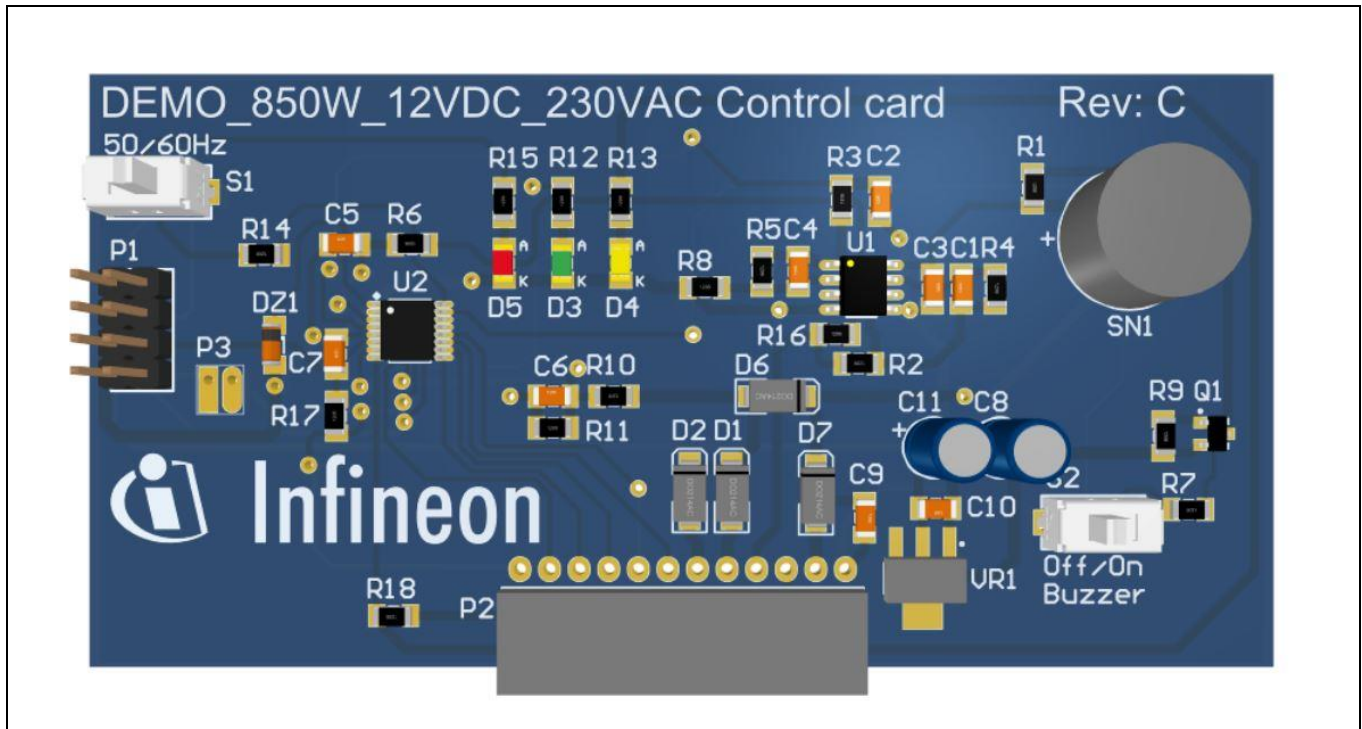


Figure 5 DEMO\_850W\_12VDC\_230VAC control card



Figure 6 DEMO\_850W\_12VDC\_230VAC main transformer example



## 1.3 Important notices

### Important notice

The information given in this document shall in no event be regarded as a guarantee of conditions or characteristics ("Beschaffenhheitsgarantie").

With respect to any examples, hints or any typical values stated herein and/or any information regarding the application of the product, Infineon Technologies hereby disclaims any and all warranties and liabilities of any kind, including without limitation warranties of non-infringement of intellectual property rights of any third party.

In addition, any information given in this document is subject to customer's compliance with its obligations stated in this document and any applicable legal requirements, norms and standards concerning customer's products and any use of the product of Infineon Technologies in customer's applications.

The data contained in this document is exclusively intended for technically trained staff. It is the responsibility of customer's technical departments to evaluate the suitability of the product for the intended application and the completeness of the product information given in this document with respect to such application.

### Warnings

The evaluation/demonstration board presented in this application note carries potentially hazardous high voltages and currents. This should be handled and tested by qualified engineers and technicians only who are familiar with UPS designs and components. Safety precautions should be observed at all times during testing!

Due to technical requirements products may contain dangerous substances. For information on the types in question please contact your nearest Infineon Technologies office.

Except as otherwise explicitly approved by Infineon Technologies in a written document signed by authorized representatives of Infineon Technologies, Infineon Technologies' products may not be used in any applications where a failure of the product or any consequences of the use thereof can reasonably be expected to result in personal injury.

### Disclaimer

The hardware and firmware provided in this application are intended for test and evaluation purposes only. Infineon does not accept any responsibility for any potential issues that may occur by using these designs.

## 2 Evaluation board specifications

### Input and output at normal operation

- Battery voltage 12 V DC nominal
- AC input voltage 220 V<sub>RMS</sub> up to 240 V<sub>RMS</sub> (55 to 65 Hz)
- Output voltage range 220 V<sub>RMS</sub> up to 240 V<sub>RMS</sub> (50 or 60 Hz)
- Maximum continuous average input current 75 A
- Maximum output continuous power 850 VA<sup>1</sup>
- Pure sine wave output
- Inverter start-up time to reach the nominal output voltage during full-load condition during power outage less than 20 ms

### Protection features

- Battery under and overvoltage protection (UVP/OVP)
- Over-load and short-circuit output protection
- Input fuses 2 x 40 A parallel, maximum average input current 80 A
- Fuse at AC output, 5 A, 250 V<sub>RMS</sub>

### No-load operation

- Output voltage limited to below 240 V<sub>RMS</sub> during no-load condition
- Max. power losses during no-load condition less than 50 W, 230 V<sub>RMS</sub> output voltage

### Maximum component temperatures

During worst-case scenario (ambient temperature 60°C) the maximum component temperature is:

- Resistor less than 100°C
- Ceramic capacitor, film capacitor and electrolytic capacitor less than 85°C
- Flyback transformer and chokes less than 100°C
- MOSFET, transistor and diodes less than 100°C
- IC less than 100°C

### Board dimensions

#### Main board:

- Maximum width 8.5 inches (216 mm), max. length 5.5 inches (140 mm)

#### Daughter board:

- Maximum width 4.0 inches (102 mm), max. length 2.0 inches (51 mm)

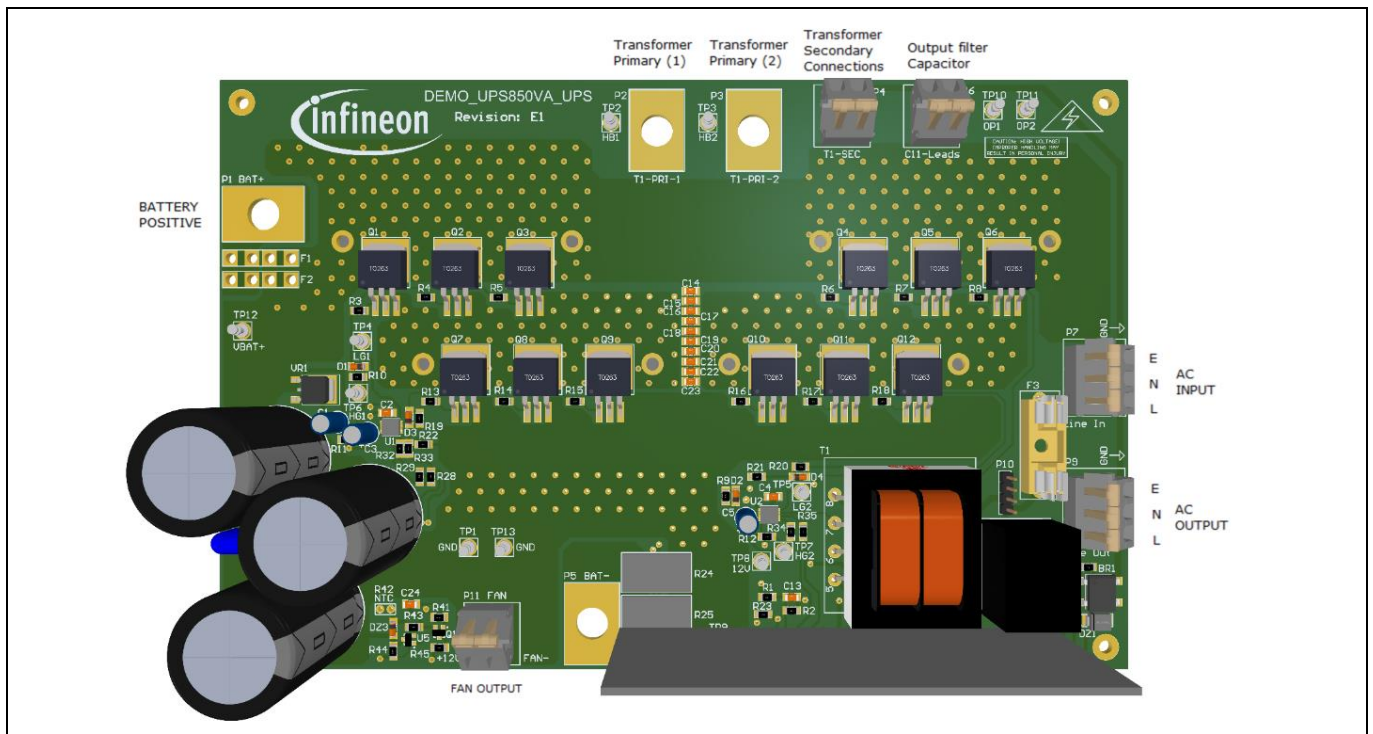
**Attention:** ***HIGH VOLTAGE OUTPUT! Risk of electric shock. The board should be tested only by qualified engineers and technicians.***

---

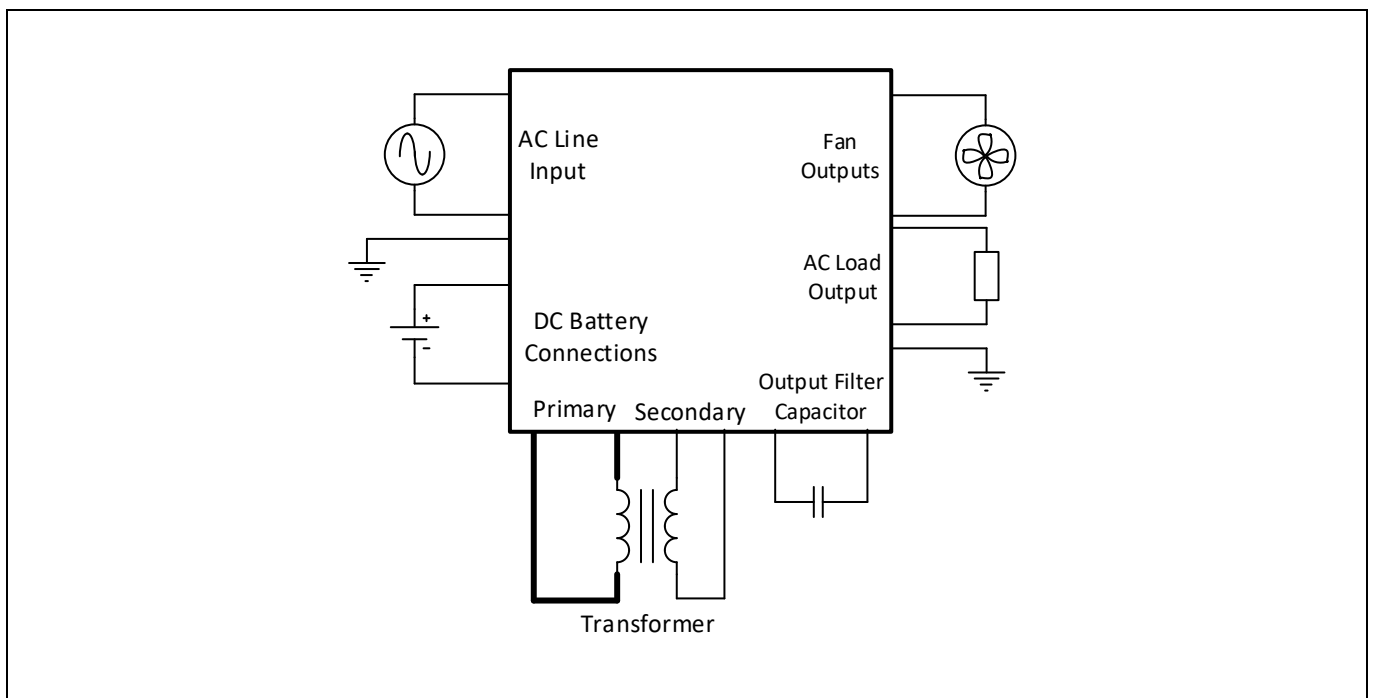
<sup>1</sup> This is a nominal maximum rating, which will be limited by the maximum input current rating. This will depend on overall efficiency determined by transformer size, battery cables and connections.



## 2.1 Evaluation board connections



**Figure 7 DEMO\_850W\_12VDC\_230VAC connections**



**Figure 8 DEMO\_850W\_12VDC\_230VAC connection diagram**

## 3 Schematics

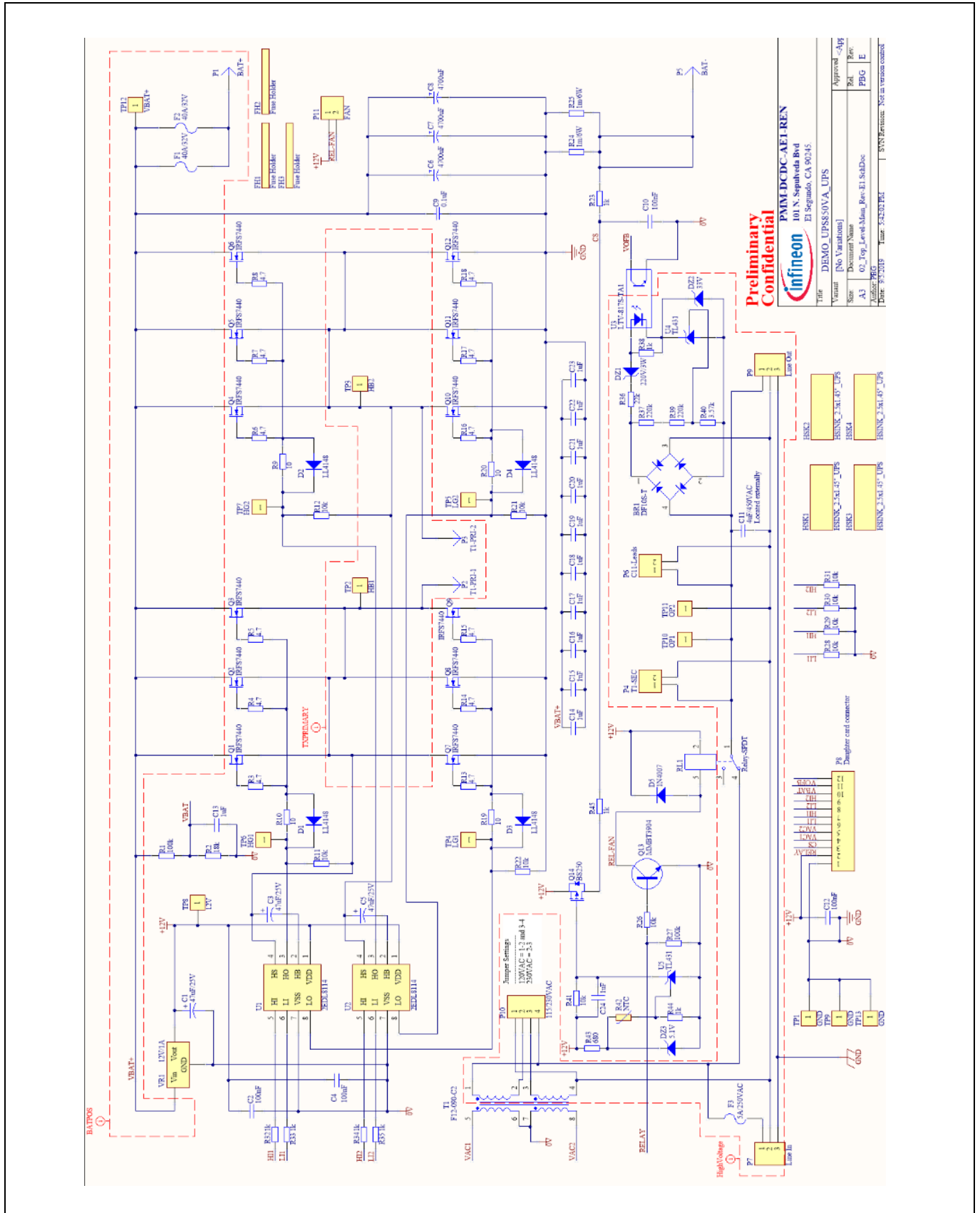


Figure 9 DEMO\_850W\_12VDC\_230VAC – main board schematic

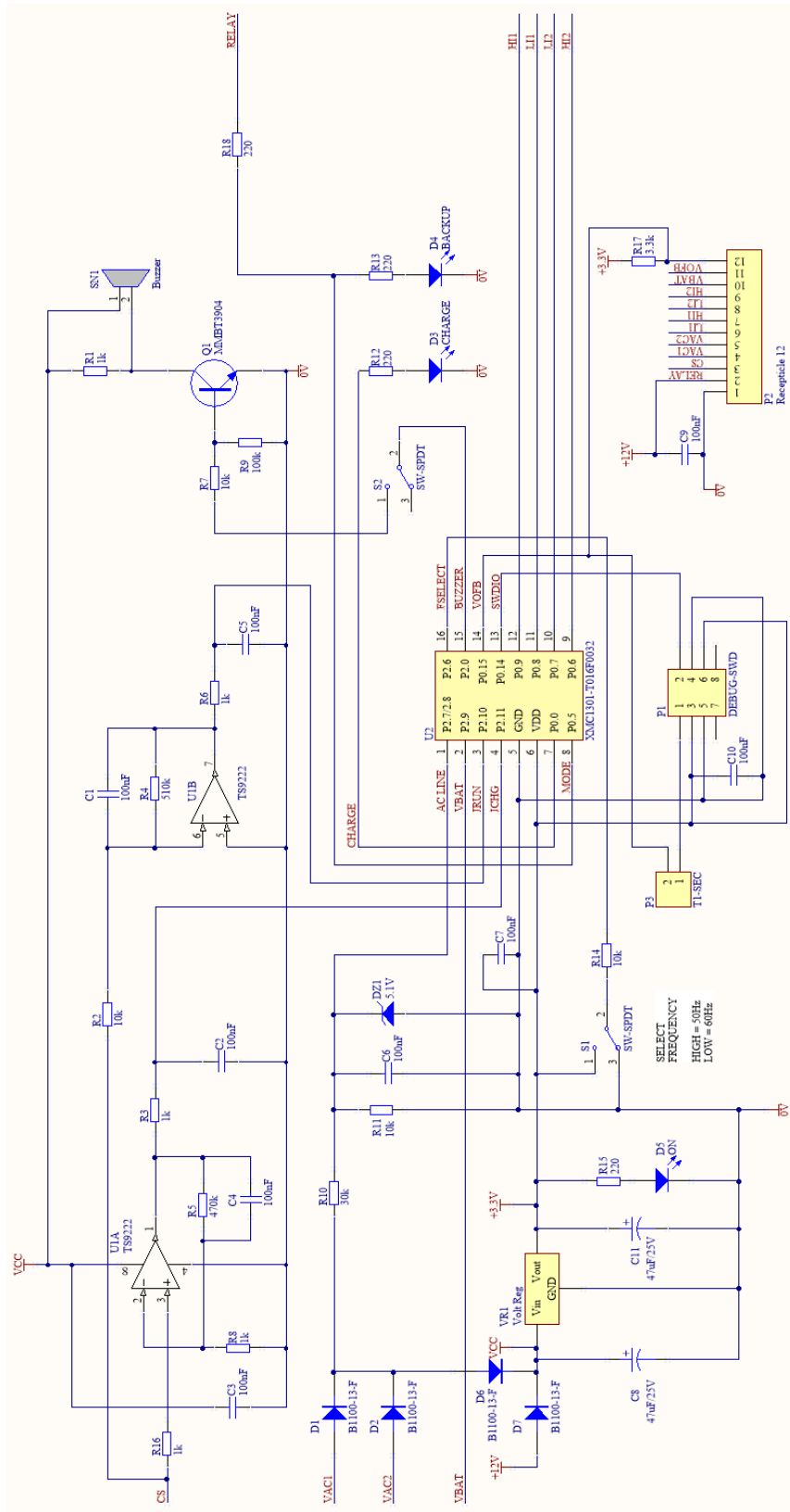


Figure 10 DEMO\_850W\_12VDC\_230VAC – daughter card schematic

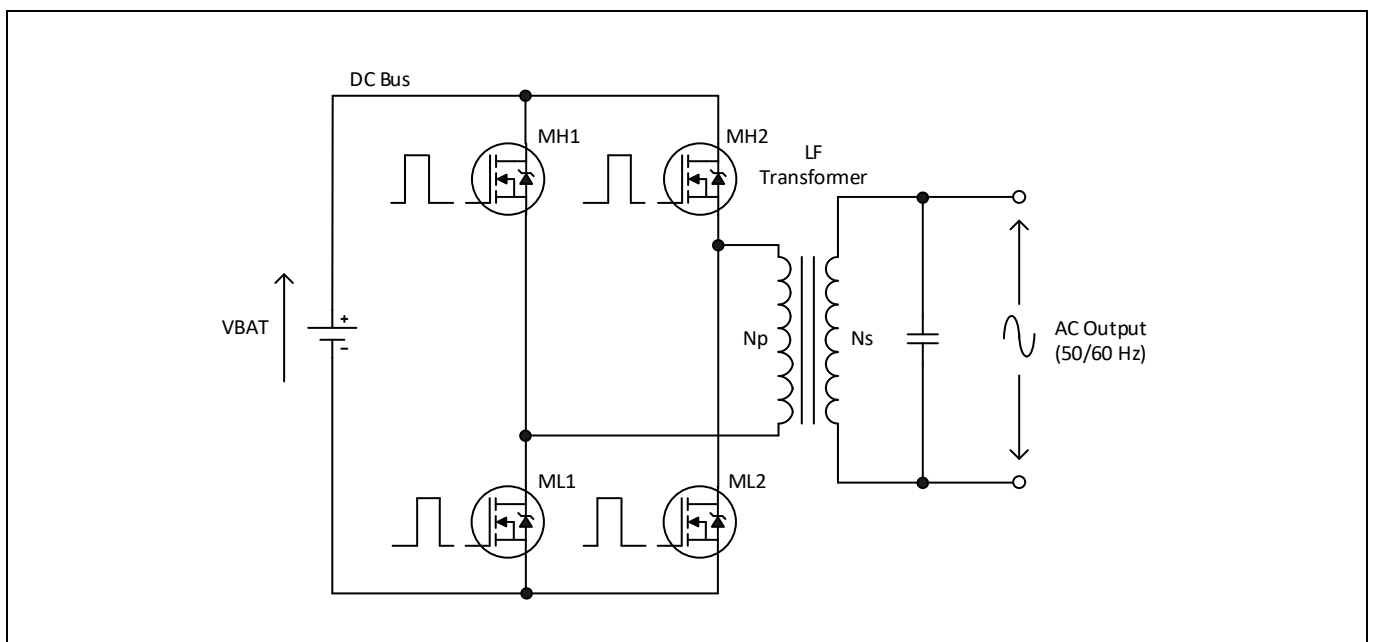
## 4 Functional description

### 4.1 UPS system operation

The main board contains a bidirectional full-bridge inverter/charger power converter. Full-bridge inverter topologies are widely used in LF transformer-based UPS systems since they provide the best utilization of the transformer’s available winding area. The transformer design is a trade-off between efficiency against size and weight. It is physically located off the power board, connected by flying leads. Since the primary current is high, thick winding wire is necessary to minimize conduction losses.

The full-bridge inverter consists of four switches, each of which consists of a bank of three parallel MOSFETs to support the high current present under over-load and short-circuit output conditions. These MOSFETs need to be rated sufficiently to withstand short-circuit current for a period of time until the system protection operates to shut the inverter down. During normal operation at maximum rated load, the MOSFETs must distribute the heat produced by device conduction losses through the attached heatsinks.

In addition to the current rating, the device voltage rating ( $BV_{DSS}$ ) is also a critical parameter. The maximum drain voltage is clamped to one body diode drop above the battery voltage except for a small switch-off transient, therefore the  $BV_{DSS}$  rating may be selected based on the highest battery voltage with an appropriate amount of headroom to account for switch-off transients. The largest transients occur under short-circuit since the highest current is being interrupted in this case. A simplified diagram showing the main power conversion elements is shown below (MH1 = Q1-3, MH2 = Q4-6, ML1 = Q7-9, ML2 = Q10-12):



**Figure 11 Full-bridge basic schematic (inverter operation)**

To produce a sine wave output voltage, the transformer primary is driven by a HF Pulse Width Modulated (PWM) switching voltage above the audible range (in this case 20 kHz). The output is filtered by the transformer’s own leakage inductance combined with an output filter capacitor to remove the HF switching component. At any given instant in time the output voltage is defined as follows:

$$V_{OUT}(t) = \frac{N_S}{N_P} \cdot D(t) \cdot V_{IN} \quad [1]$$

Where  $V_{IN}$  is equal to the DC bus voltage,  $N_S/N_P$  is the transformer turns ratio (voltage drops on the switches are negligible) and  $D(t)$  is the duty cycle of the PWM primary voltage at that instant.

The switching frequency is kept low to minimize MOSFET switching losses since this is a hard-switching topology. A variable-time PWM duty-cycle function  $D(t)$  is used to periodically adjust the integrated output voltage  $V_{OUT}(t)$  to construct a sinusoidal voltage:

$$D(t) = m \cdot |\sin(2\pi ft)| \quad [2]$$

Where “f” is the AC output frequency. In equations [1] and [2], “D” refers to the PWM command duty cycle, which can vary between zero and one. This is divided into two alternating gate drive pulses such that each switch is operated every other pulse and therefore the actual gate drive maximum duty cycle  $D_{G(MAX)}$  is 0.5. The duty cycle granularity is limited by microcontroller clock speed, therefore a lower PWM frequency just above the audio range at around 20 kHz provides the best resolution. The modulation index (m) determines the amount by which the duty cycle is modulated and is controlled to provide regulation of the RMS AC output voltage.

The UPS relay RL1 is also located on the main board with its coil voltage switched on and off by the microcontroller U2, which is located on the daughter board. The micro-controller is programmed with firmware, which provides all of the MOSFET gate-drive signals and supervisory functions for the UPS. When AC mains power is present the contacts are closed so that the output is connected to the AC input. This is the default state of the relay when the coil is not energized. If the AC mains supply fails then U2 energizes the relay coil to open the contacts, thus disconnecting the output from the input. This is essential before the inverter starts up so that when running it will power loads connected to the UPS output only. From the time the AC-line input voltage drops below the minimum threshold, the system takes approximately 10 ms to open the relay contacts and start up the inverter for back-up mode operation. Loads connected to the output such as power supplies or LED lights can maintain operation through this short power interruption from internal storage capacitors.

When AC power is restored the inverter shuts off and the relay contacts close, connecting the output back to the input for charging mode operation, which takes a similar amount of time. These interruptions are short enough that equipment connected to the output is able to continue operating seamlessly. Battery charging operation commences shortly after the relay contacts are closed. A soft-start is included so that charge current rises gradually to the charging level defined in the firmware.

### 4.1.1 Back-up (inverter) mode power conversion

During inverter operation, each half-bridge of the full-bridge (MH1 with ML1, MH2 with ML2) operates as a synchronous buck converter in Continuous Conduction Mode (CCM), connected to one side of the transformer primary. The other side is connected to the battery positive through the opposite high-side MOSFET, which switches at LF. A high-side/low-side driver IC is used to supply the gate-drive pulses to each of the half-bridges. The bootstrap capacitors have to be large enough to operate at LF and supply gate charge for several MOSFETs connected in parallel.

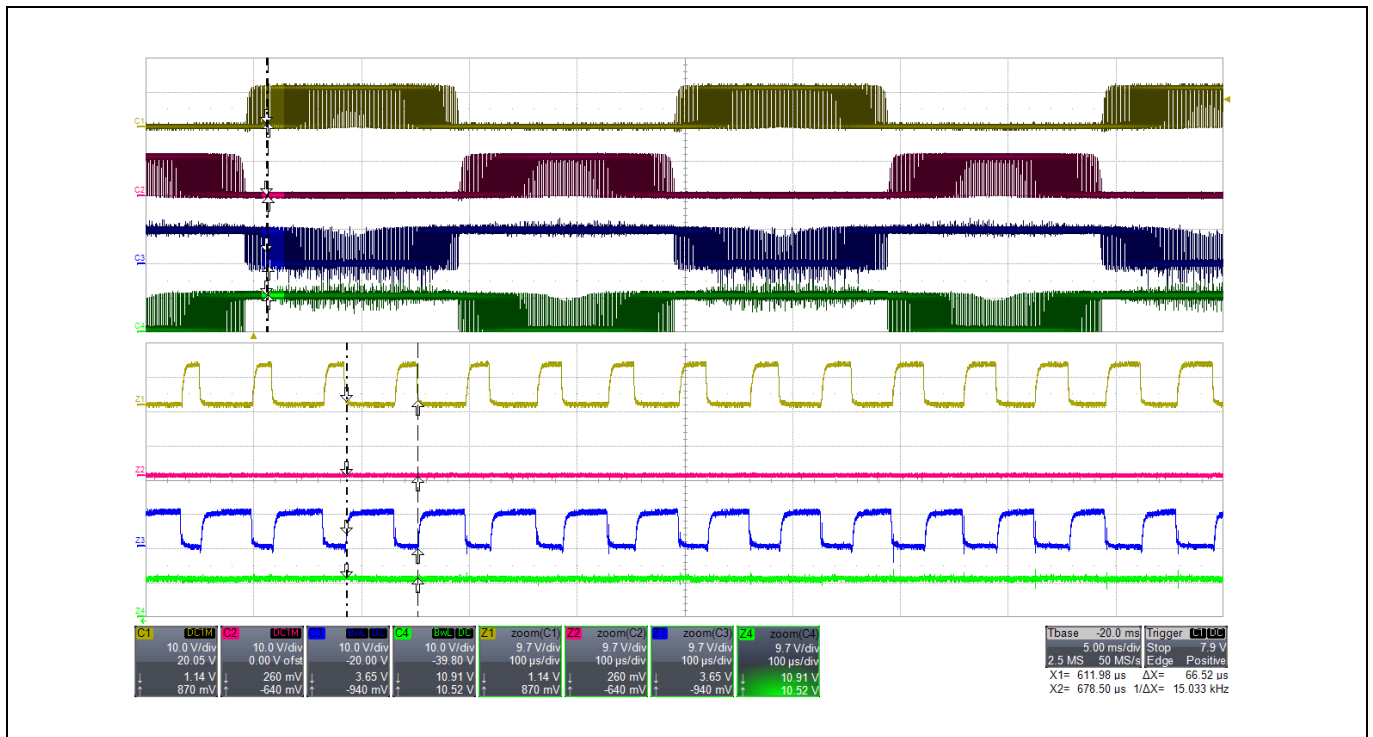
The reason for making the low-side MOSFETs the buck main switching elements is because these are hard-switched while the upper MOSFETs operating synchronously are soft-switched. Floating high-side gate-drive outputs from half-bridge driver ICs are more sensitive to potential latch-up,  $dv/dt$  or negative voltage transitions when driving hard-switched MOSFETs, which is not normally an issue with soft-switching. Since the low-side gate driver is not floating it is better suited to driving hard-switched MOSFETs. A fixed dead-time is also included to prevent overlapping switching transitions that would result in high shoot-through current spikes.

## Application note

### Functional description

The HF switching side of the full-bridge alternates depending on the direction of the transformer primary current to provide the positive and negative 50/60 Hz sine wave output voltage half-cycles. Whichever side of the full-bridge is operating in buck mode controls the output voltage by PWM. The low-side MOSFET duty cycle determines the amount of energy transfer, while the high-side acts as the SR. Ripple current at twice the line frequency and at the switching frequency passes through the bus de-coupling capacitors C6 to C9. The shunt formed by the parallel resistors R24 and R25 senses the current going to the battery. The voltage drop produced is in the millivolt range, which is fed to DC amplifier circuits located on the daughter card that provide proportional voltages for the microcontroller analog inputs. Current Sensing (CS) is used to detect an over-load or short-circuit condition so that the firmware may shut down the system.

The AC input voltage is connected to a small step-down transformer, which provides LV power to the control circuitry and is also used to sense the input voltage level. The gate-drive waveforms for each full-bridge MOSFET banks during inverter operation are shown below. The blue trace is one high-side (MH1) with the yellow trace its corresponding low-side (ML1). The green trace is the opposite high-side (MH2) and red the low-side (ML2).<sup>1</sup>



**Figure 12 Full-bridge gate-drive waveforms (inverter operation)**

The waveforms above (channels C1 to C4) show the waveforms over several AC output voltage half-cycles and the zoomed-in traces (channels Z1 to Z4) show the waveforms over a few switching cycles at one point indicated by the vertical dotted lines. It can be seen from traces Z1 and Z4 that the PWM duty cycle is constantly changing to reflect the modulation of the encoded sinusoidal signal.

The battery voltage is continuously monitored. The firmware will shut down the inverter operation if the voltage is out of range. However, before this happens a warning will be given by flashing the charge LED while in and providing short beeps. The battery warning threshold is set 0.5 V higher than the cut off voltage. The upper, lower and warning limits can be changed with a simple firmware modification by adjusting the definitions in the ehader file UPS.h.

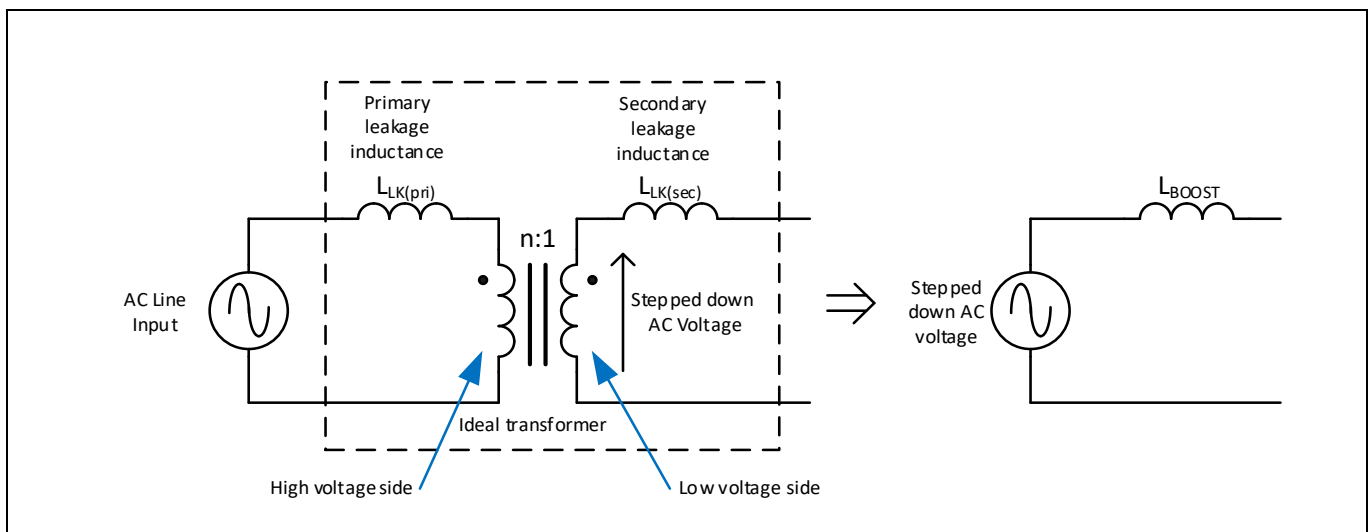
<sup>1</sup> MH1 in **Figure 11** corresponds to the paralleled devices Q1, 2 and 3 in **Figure 9**. ML1 to Q7-9, MH2 to Q4-6 and ML2 to Q10-12.



#### 4.1.2 Battery charging operation

When AC mains power is present the UPS output is connected to the line input through the relay. The transformer steps the line voltage down so that an AC voltage is present between the bridge nodes of the two half-bridges. If the peak of this AC voltage were to exceed the battery voltage plus two body diode voltage drops, uncontrolled current would flow through one pair of diagonal MOSFET body diodes (MH1 and ML2 or MH2 and ML1). However, the turns-ratio of the transformer and the normal terminal voltage of the battery are such that this does not occur. In order for battery charging to take place the lower MOSFETs (ML1 and ML2) are pulsed simultaneously on and off, while the high-side MOSFETs (MH1 and MH2) remain always off. In this mode of operation, the full-bridge converter operates like a bridgeless boost converter. Depending on the AC-line polarity, boost operation will occur in one direction or the other.

This can be explained by modeling the transformer LV winding (connected to the MOSFET bridge) as a voltage source with a series inductor to represent the lumped primary and secondary leakage inductances. In the following diagram the HV winding acts as the transformer primary, which is opposite to inverter mode where the LV winding is the primary.



**Figure 13 Transformer equivalent circuit in charging operation**

When both lower switches (ML1 and ML2) are on and a stepped-down voltage is present at the ideal transformer secondary winding, current rises at a rate determined by the leakage inductance represented by  $L_{BOOST}$ . As this occurs energy builds up in the resulting magnetic flux. When ML1 and ML2 are both switched off the inductor current is diverted through one diagonal pair of body diodes depending on its direction according to the AC-line half-cycle polarity. In the diagram below, these currents are represented by blue arrows in one polarity and green arrows in the opposite, combining to create the battery charge current represented by the red arrow.

A feedback loop regulating the battery charge current controls the pulse width through the microcontroller. The loop response is slow so that changes in duty cycle happen gradually over several AC-line cycles.

Battery charging occurs at constant current, which is regulated by the microcontroller firmware. The battery charging routine in the firmware is designed for lead-acid batteries and not suited to other battery types. If the battery terminal voltage is below 9 V, the controller interprets this as a faulty or spent battery that is unable to be charged and will not attempt to do so. If the terminal voltage is above this minimum level but below a second threshold of approximately 12 V the battery will be charged at a higher current. Above the second threshold charging will occur at a low current until the terminal voltage exceeds the maximum charge “cut-off” level of 14.5 V, at which the charging will stop and the charger will enter a hiccup mode. In this mode, a charge



current is slowly increased from zero until the battery terminal voltage exceeds the cut-off level where it will reset again. In this way, the battery will be maintained in its fully charged state without over-charging.

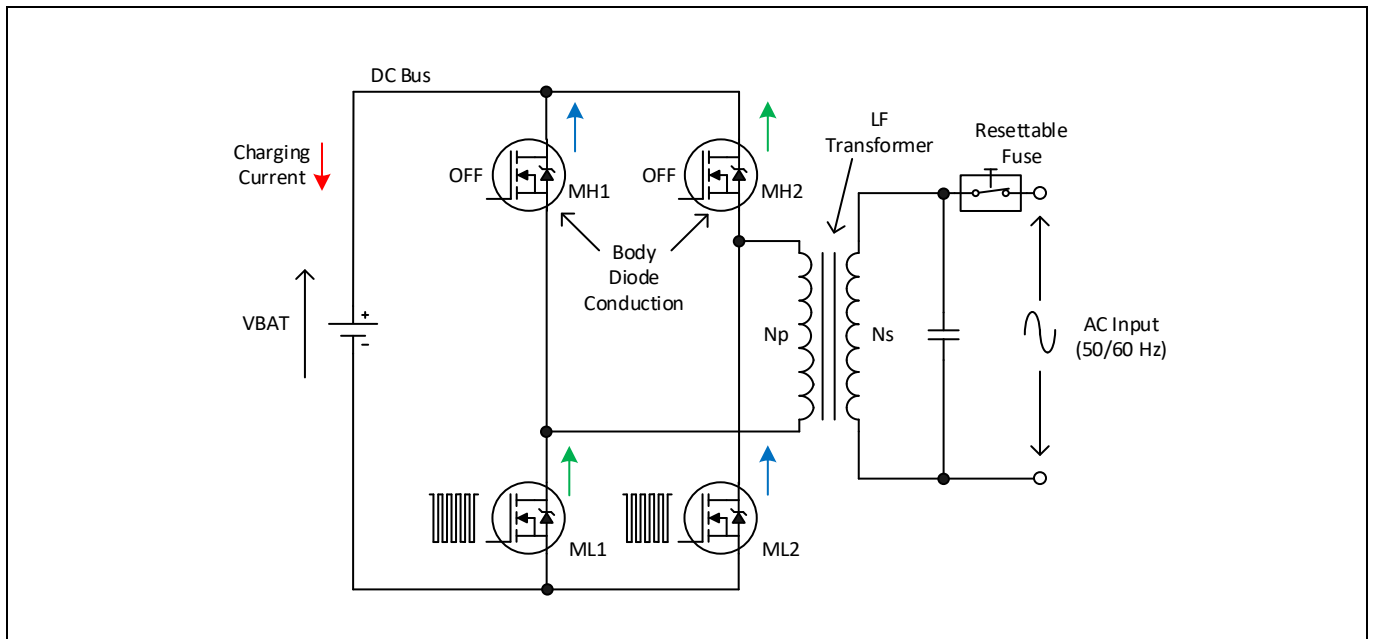


Figure 14 Full-bridge basic schematic (charger operation)

## 4.2 Supervisory functions

### 4.2.1 AC input voltage sensing

In order for the micro-controller (U2) to be able to switch between charging and back-up (inverter) modes of operation, it requires a constant monitoring of the AC-line input voltage to the UPS. This is done through the step-down transformer (T1) located on the main power board, which also provides the LV supply to the board when AC-line voltage is present. T1 is always connected to the AC-line input and isolated from the output during back-up operation. During AC-line input failure the LV circuitry in the system is supplied from the battery. Jumpers (P10) are provided so that T1 may be configured for 120 V AC or 230 V AC operation if required.

The secondary side of T1 is connected to the daughter card via the header P8 (VAC1 and VAC2 pins), which corresponds to P2 on the daughter card. This AC voltage is then rectified by Schottky diodes D1 and D2 to provide a full-wave rectified DC voltage, which is then divided down through R10 and R11 with C6 providing noise filtering but not smoothing of the LF ripple. This signal is supplied to an analog input of U2 and sampled periodically then converted to digital input information to be monitored by the firmware.

The rectified voltage from T1 is ORed with the battery voltage through D6 and D7 to provide a supply voltage of 12 to 15 V, which is present in both operating modes. This supplies the gate driver ICs and relay coil, the alarm buzzer SN1 and the dual operational amplifier IC U1. A linear regulator (VR1) provides a 3.3 V logic supply for U2.

### 4.2.2 AC output voltage sensing

The UPS may operate over a load range from zero to maximum. Without any feedback loop and adjustment the output voltage exhibits significant load regulation, which will depend on the performance of the LF main power transformer (shown in [Figure 6](#)), which is external to the power board. The AC output voltage monitoring circuit is located on the main power board.

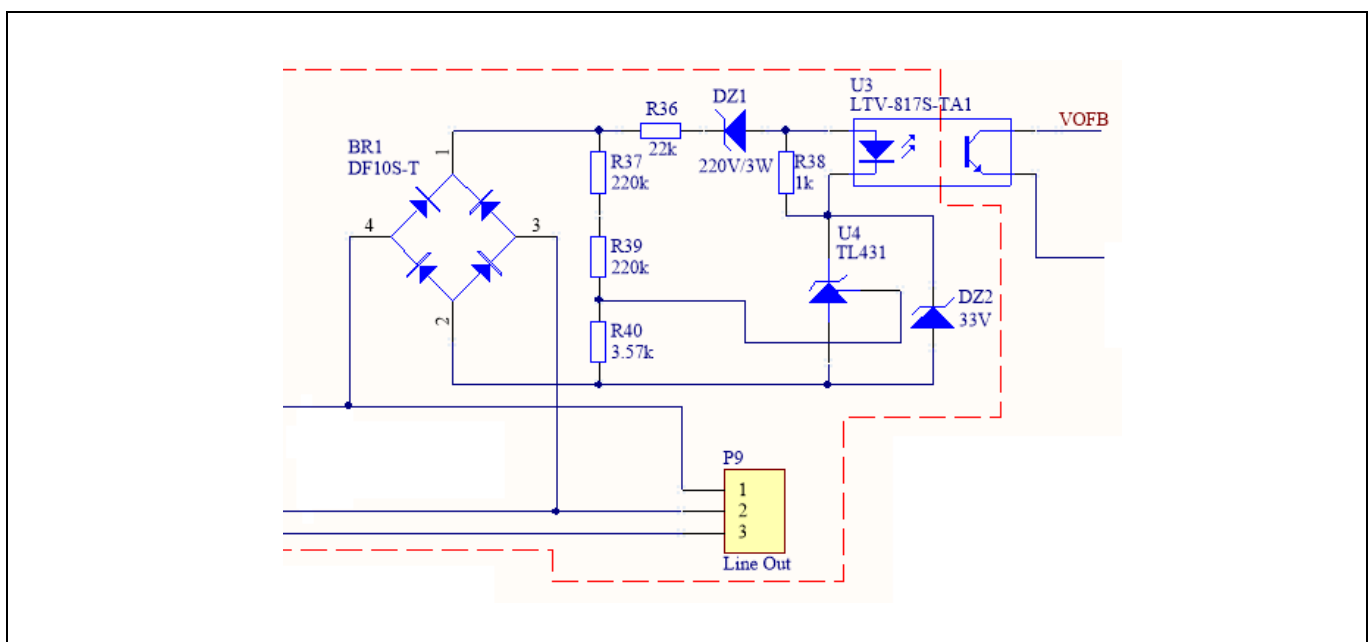


Figure 15 AC output voltage monitoring circuit

## Application note

### Functional description

The bridge rectifier BR1 converts the AC output voltage to a full wave rectified signal, which is then divided through R37, R39 and R40. The diode of opto-isolator U3 is also supplied from the positive terminal of BR1 through a limiting resistor R36 and Zener diode DZ1. The circuit is designed so that when the AC voltage exceeds 230 V<sub>RMS</sub>, the divided voltage at the REF input of U4 exceeds the 2.5 V threshold, causing current to flow through the diode of U3. This causes the voltage at V<sub>OFB</sub>, which is fed to a digital input of U2, to be pulled down. A minimum current of 1 mA is required to bias U4, which is supplied via R38 over the portions of the AC cycle where there is sufficient voltage available. For the remainder of the cycle U4 is not required. DZ2 is added to clamp the cathode voltage of U4 so that it never exceeds the absolute maximum rating of the device.

Whenever the firmware detects V<sub>OFB</sub> as a logic low level, this indicates that the output voltage exceeds 230 V<sub>RMS</sub> and should be adjusted down by reducing the modulation index (m). During normal operation “m” will be slowly increased until a low level is detected at V<sub>OFB</sub> and then kept close to this point to maintain an output of approximately 230 V<sub>RMS</sub>. This enables output voltage control without adding another small transformer like T1 or an additional winding on the output transformer.

### 4.2.3 Current Sense (CS) amplifiers

The battery current is sensed by the parallel shunt resistors R24 and R25 on the main power board. Since the battery current is in the tens of amps range, the combined resistance of the shunt is only 0.5 mΩ to minimize power loss. The resulting voltage is therefore in the tens of millivolts range, too small to be sensed directly by U2. In addition, the polarity of this voltage is positive during back-up mode operation and negative during battery charging. For these reasons the signal from the shunt is fed to two DC amplifier circuits located on the daughter card after first passing through a low-pass noise filter consisting of R23 and C10. The first non-inverting amplifier around U1A is used to monitor battery current during charging mode and the second inverting amplifier around U1B is used to monitor the current charging back-up operation when AC-line voltage fails. In both cases, the gain has been set to provide a DC voltage in the zero to 3 V range and these two are supplied to two analog-configured inputs of U2 (P2.10 and P2.11).

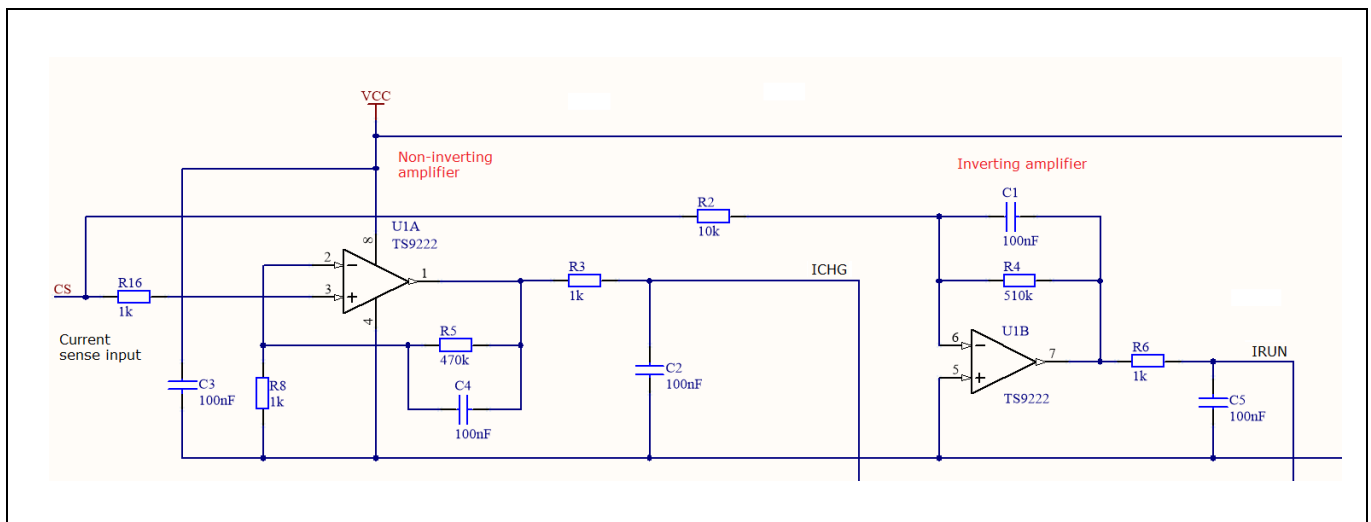


Figure 16 Battery current sensing circuits

#### 4.2.4 Thermal protection

The demo board also includes a thermal protection circuit connected to NTC thermistor R42, which is a ring terminal type attached through one of the heatsink mounting screws. This is connected through a resistor divider to U5, which acts as an accurate, programmable Zener diode with a 2.5 V reference so that as the MOSFETs heat up and the resistance of R42 falls current will start to flow through the cathode. This causes Q14 to switch on and pull up on the CS feedback input to the microcontroller, signaling it to shut off the gate-drive outputs. This will protect the MOSFETs from thermal failure in the event of an over-load or insufficient cooling.

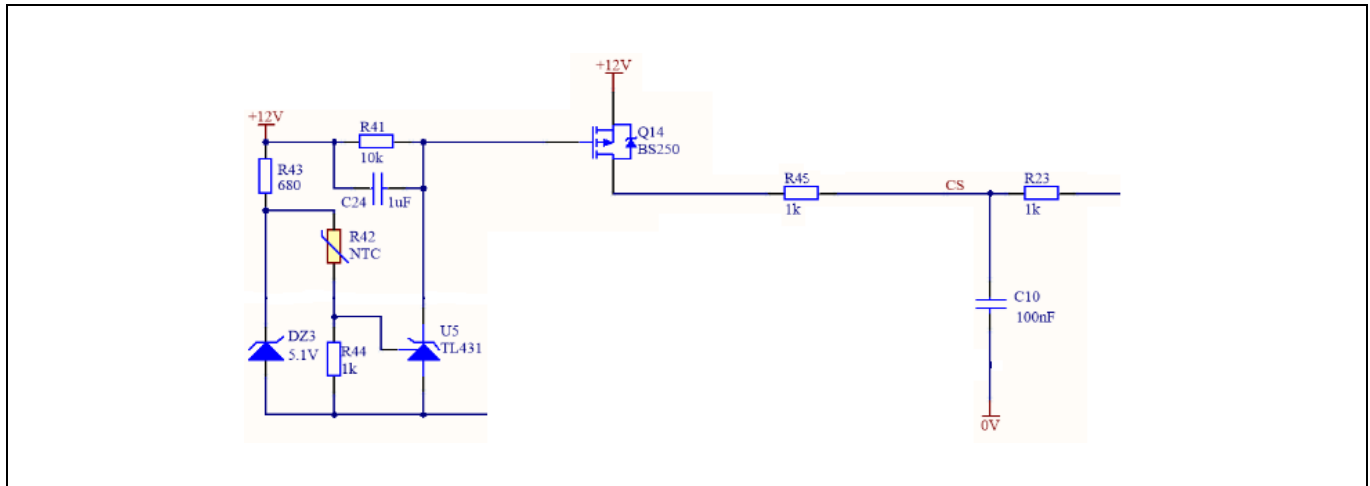


Figure 17 Thermal protection circuit

#### 4.2.5 Alarm buzzer and LED indicators

The daughter card contains three LED indicators:

Table 1 LED functions

Designator	Color	Description
D3	Green	Battery is charging Short flashes for battery low warning
D4	Yellow	UPS inverter is running (back-up mode), relay connects the inverter to the AC output/load
D5	Red	Power is present on the board

D5 indicates that the board has power available for the microcontroller and other circuitry. D4 indicates when the AC input has fallen below a level defined in the firmware and the relay has therefore been opened and the inverter is running. D3 is on when AC-line voltage is present and the battery is being charged. When the battery is fully charged this LED will go off; in back-up mode when the battery voltage is low, this LED may flash.

The alarm buzzer (SN1) operates when the AC input voltage to the UPS drops below the minimum threshold. It normally operates all the time during back-up mode, but may be easily disabled in firmware or via the switch S2. The green LED flashes to indicate a low battery condition, warning the user that the system will shortly shut down.

## 5 Firmware

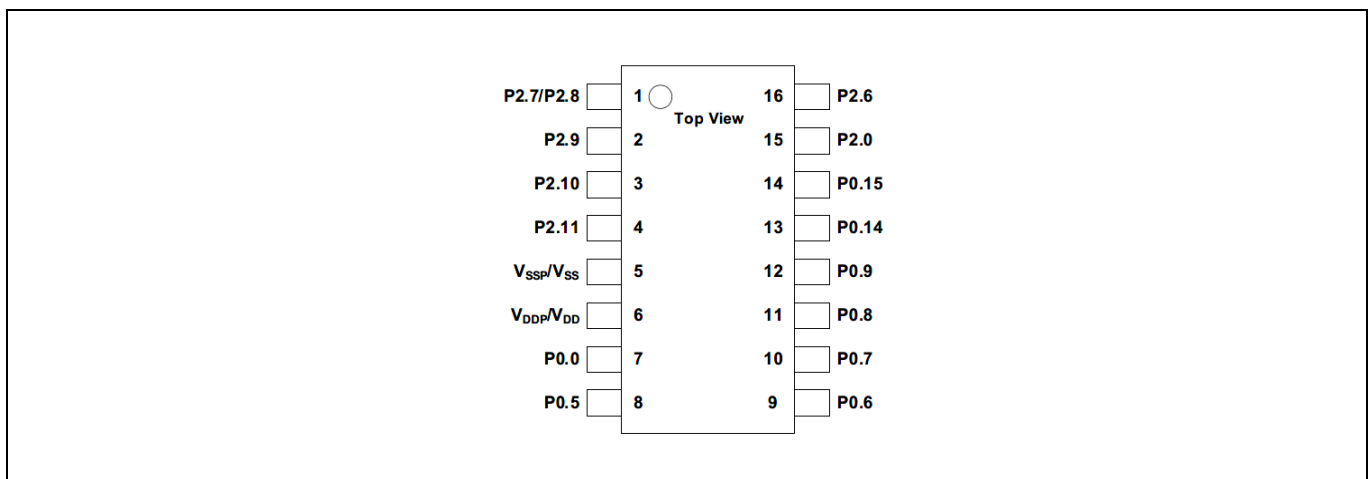
### 5.1 XMC™ microcontroller

The XMC™ microcontroller family based on ARM® Cortex®-M cores, is suitable for real-time critical applications where an industry-standard core is needed. It is dedicated to applications in the segments of power conversion, factory and building automation, and transportation, as well as home appliances. The XMC1000 series brings together the ARM® Cortex®-M0 core and market-proven and differentiating peripherals in a leading-edge 65 nm manufacturing process. There are several variants of the XMC1000 series shown in the table below:

ARM® Cortex®-M0	Co-processor	Clocks		Memory	Analog			Timer/PWM				Connectivity		Package
		Frequency [MHz]	Peripherals [MHz]		ADC 12 bit / S&H	Number of channels	Analog comparators	CCU4	CCU8	POSIF	BCCU	USIC	CAN2.0B	
	-	32	64	Flash 8-64 kB RAM 16 kB	1/1	up to 12	-	1x	-	-	-	2x	-	VQFN-24/40 TSSOP-16/38
XMC12x	-	32	64	Flash 16-200 kB RAM 16 kB	1/2	up to 12	up to 3	1x	-	-	•	2x	-	VQFN-24/40 TSSOP-16/28/38
XMC13x	•	32	64	Flash 8-200 kB RAM 16 kB	1/2	up to 12	up to 3	1x	1x	•	•	2x	-	VQFN-24/40 TSSOP-16/38
XMC14x	•	48	96	Flash 32-200 kB RAM 16 kB	1/2	up to 12	up to 4	2x	2x	•	•	4x	•	VQFN-40/48/64 LQFP-64
Supply voltage range 1.8-5.5 V														
Temperature range -40°C ... 85°C/105°C														

**Figure 18 XMC1000 series sub-groups**

The daughter card designed for this demo board includes basic offline UPS functionality without additional features such as additional controls, displays, and communication. For this reason the XMC13x option was chosen because the functionality of the CCU8 timer/PWM module is necessary to provide the required gate-drive signals. A clock speed of 32 MHz provides sufficient granularity of adjustment for the PWM outputs switching at 20 kHz. Since the MATH co-processor and BCCU LED lighting engine are not required in the UPS application, the XMC1301 is sufficient. The 16-pin PG-TSSOP-16-8 packaged XMC1301-T016F0032 variant has 32 kB of Flash memory and 16 kB of SRAM and enough I/O pins to support the required functions.



**Figure 19 XMC1300 PG-TSSOP-16 pin configuration (top view)**

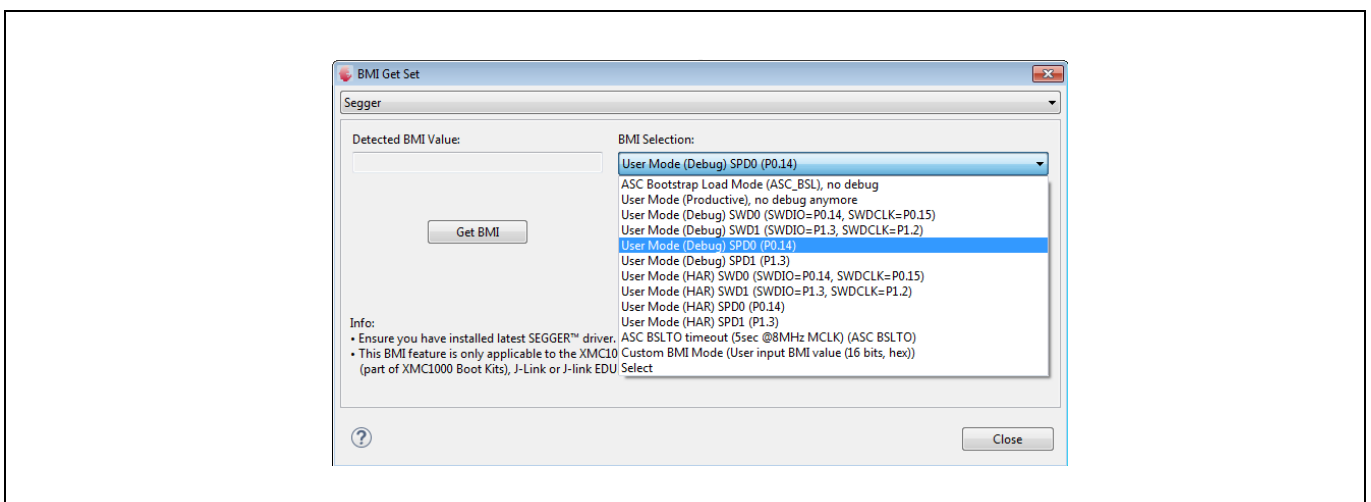
## 5.2 DAVE™ IDE

The firmware controlling this demo board was developed using the DAVE™ IDE, which can be downloaded free of charge from the Infineon website. Programming and debugging was carried out via the XMC™ Link isolated debug probe, which is connected to the daughter card through the larger ribbon cable to header P1 and to a computer via a USB cable (the smaller ribbon cable is not used).



**Figure 20 XMC™ Link isolated debugger probe**

A project was created within DAVE™ IDE containing the device definition, settings and source files required to compile and build the executable code, which can be downloaded into the Flash program memory of the XMC™ controller. There are several programming/debugging protocols available. The SPD0 option is chosen in this case because it only required one pin (P0.14). This mode has to be selected when first setting up the DAVE™ IDE to connect the daughter card before programming. When programming a blank XMC™ device for the first time the BMI (boot mode index) must be initially set by clicking the “Set BMI” button. In-circuit debugging should be carried out with great care, since pausing the program could cause the power board MOSFETs to over-heat when the system is connected to a DC power supply or battery.



**Figure 21 Configuration of the programming/debugging mode SPD0**

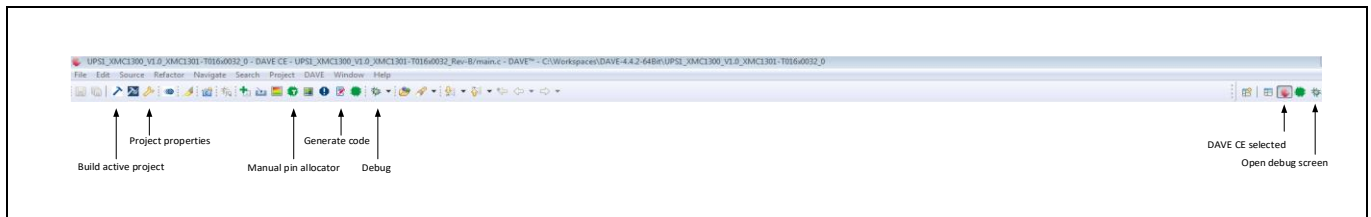
The I/O ports are configured for analog or digital input or output and mapped to the peripherals required by selecting the required DAVE™ apps, and configuring these to provide the functions required for the application. These include analog inputs, digital inputs and outputs, and functions such as the PWM generators and timers.

## Application note

### Firmware

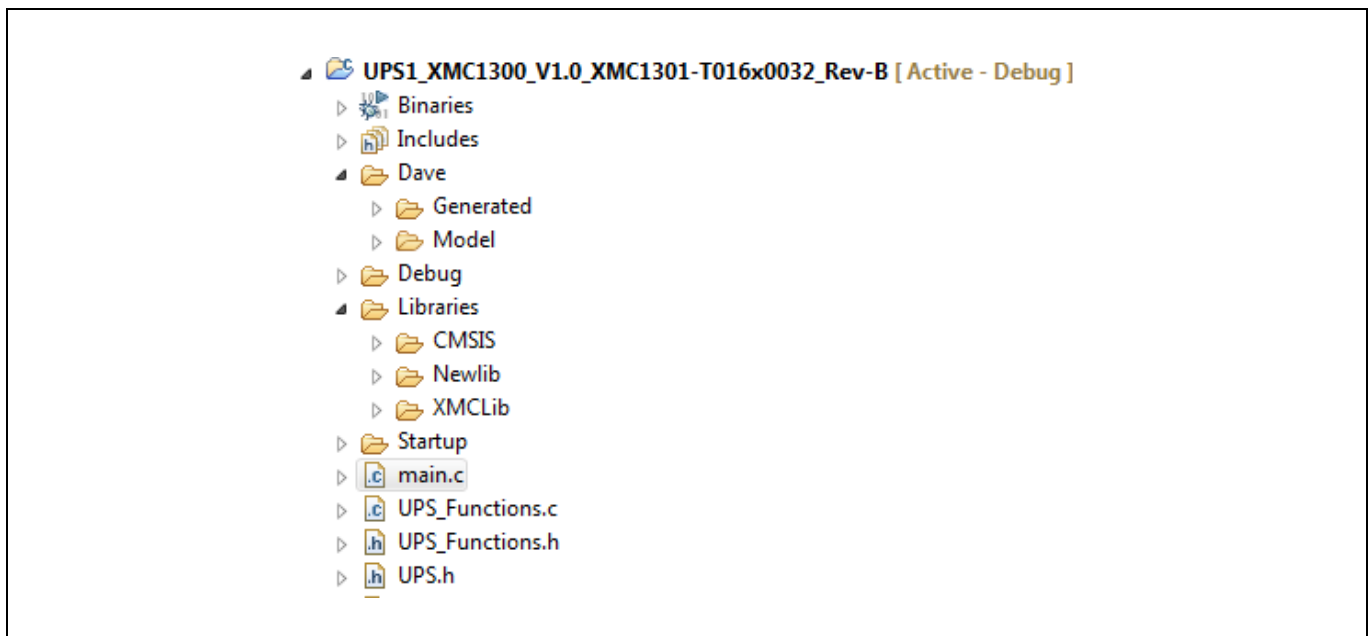
The apps are listed in the app dependency tree window in the DAVE™ CE screen and displayed graphically in the app dependency window. Double-clicking on any app opens up a menu allowing the programmer to configure the app. The manual pin allocator is used to select which I/O pins are mapped to each of the app inputs and outputs.

When configuration is complete the corresponding “.c” and “.h” source code files are generated by clicking the “Generate Code” button normally located on command bar located below the menu bar at the top of the DAVE™ CE screen shown below. For more complex functionality it is necessary to obtain the necessary functions from the DAVE™ library, which is also available to download.



**Figure 22 DAVE™ IDE main commands**

Having generated the source files for configuration of the XMC™ controller, the source files for the operation of the UPS are added to the project. The “main.c” file contains the main body of the source code, which is written in the form of a state machine. Constant and variable definitions including look up tables are stored in the “UPS.h”, which also includes options that can be switched on or off. Application-specific functions are stored in the “UPS\_Functions.c” file with its corresponding header file “UPS\_Functions.h”. The project file structure can be seen as follows:



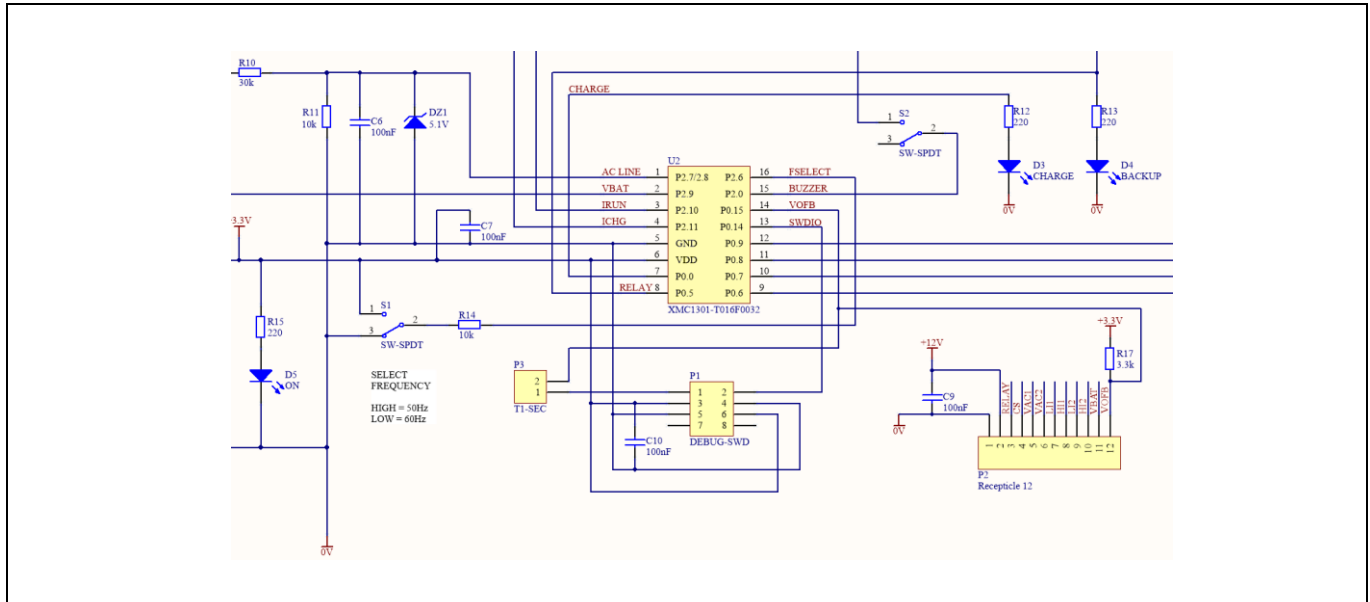
**Figure 23 Project file structure**

The configuration files generated by DAVE™ are located in the “Dave\Generated” folder.



## 5.3 I/O pin configuration

The XMCT™ controller (U2) and its connections to external circuitry are shown below:



**Figure 24 XMCT™ configuration and connections**

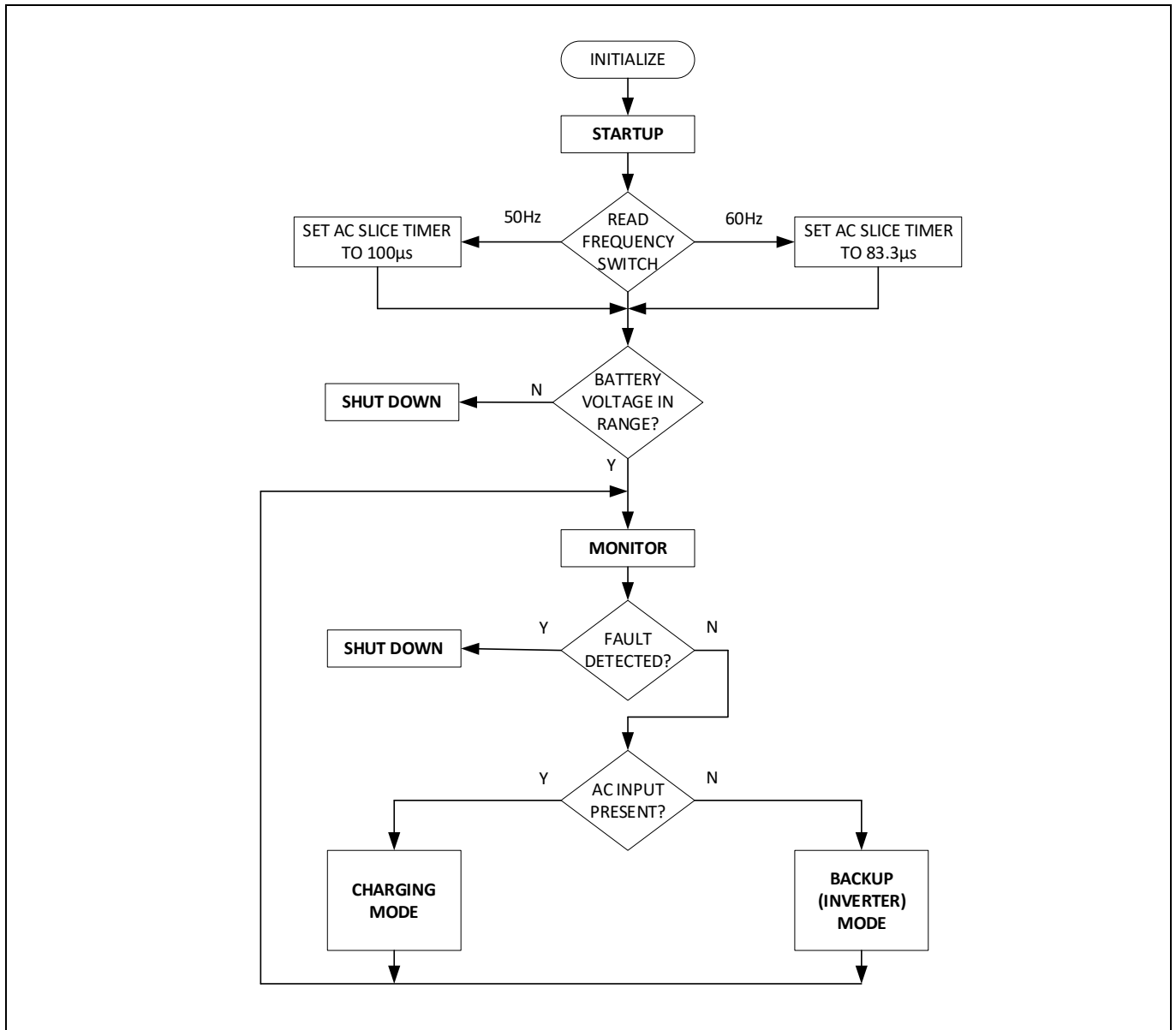
The diagram above shows the input and output connections listed in the following table:

**Table 2 XMCT™ I/O functions**

Pin	Name	Function	Description
1	P2.7/2.8	Analog input	AC-line input voltage sensing
2	P2.9	Analog input	Battery voltage sensing
3	P2.10	Analog input	Battery current during back-up operation
4	P2.11	Analog input	Battery current during charging operation
5	GND		0 V
6	VDD		3.3 V DC regulated
7	P0.0	Digital output	Charge LED
8	P0.5	Digital output	Relay drive and charge/back-up LED
9	P0.6	Digital output/PWM	High-side gate-drive output (2)
10	P0.7	Digital output/PWM	Low-side gate-drive output (2)
11	P0.8	Digital output/PWM	Low-side gate-drive output (1)
12	P0.9	Digital output/PWM	High-side gate-drive output (1)
13	P0.14	SWDIO	Programming/debugging
14	P0.15	Digital input	AC output overvoltage detection
15	P2.0	Digital output/PWM	Alarm buzzer drive
16	P2.6	Digital input	AC output frequency select 50/60 Hz

## 5.4 Flowcharts

The firmware operates as a state machine in which a main program loop runs continuously, executing different sections of code depending on the current state. In the meantime, a number of background processes are also running, which in this case are executed at timed intervals. These include sampling of the analog inputs to monitor the system status and updating the output PWM duty cycle to control the power conversion stage of the charge/inverter.

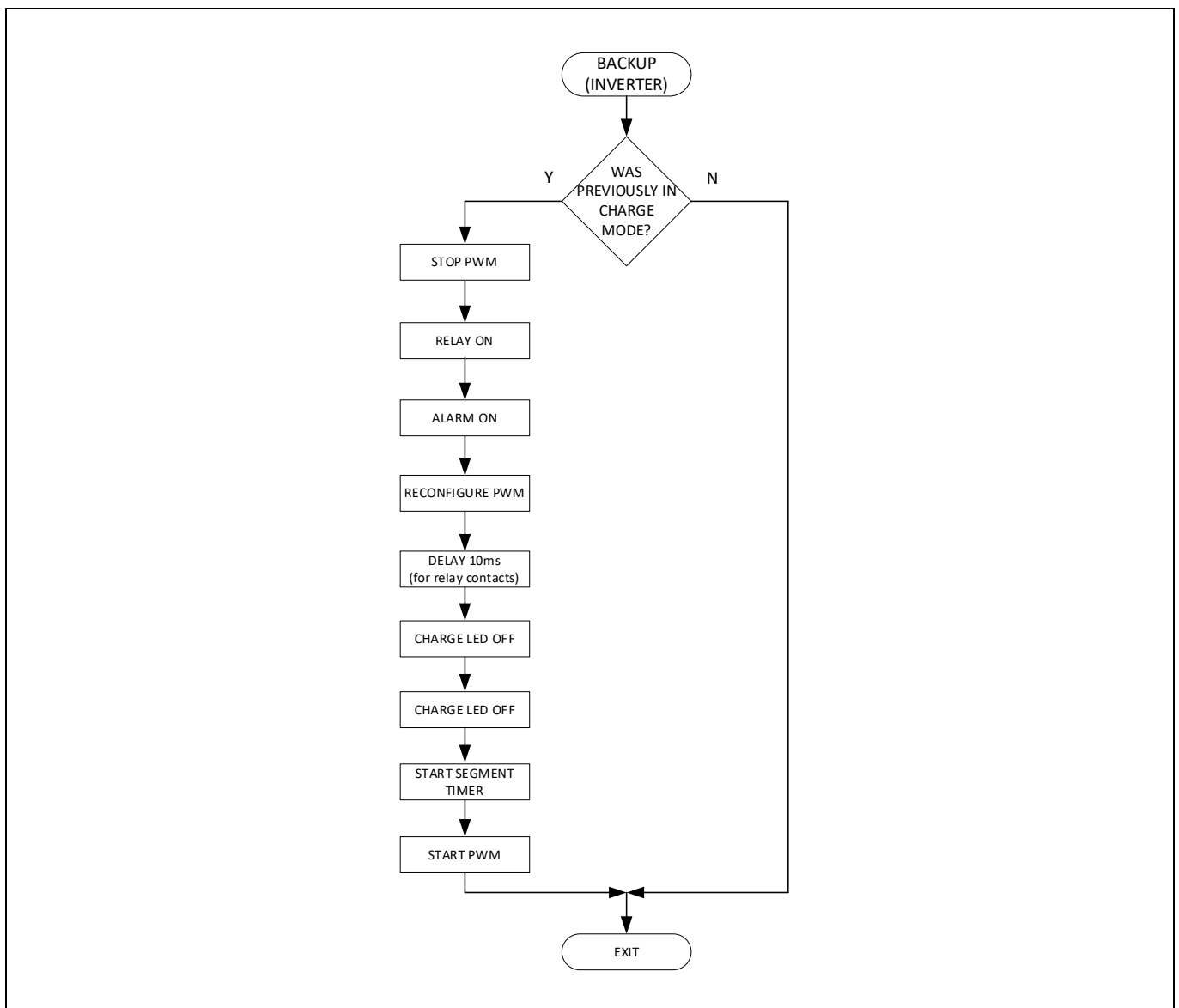


**Figure 25 Main program loop (states are shown in bold)**

At initial power-up the output frequency select switch is read and the period for the AC segment timer is set to either 100 µs for 50 Hz output or 83.3 µs for 60 Hz output. In each case this means that a function will be called at these intervals, which will be 100 times per AC output half-cycle. This function updates the PWM duty cycle from values stored in a look up table, allowing the output voltage to be changed 100 times during each half-cycle to construct the sinusoidal waveform. Discontinuities (steps) in the voltage waveform are filtered out by the output filter. The frequency switch is read only once when the unit is first powered by the battery or AC input and cannot be changed during operation.

The battery voltage is monitored during initialization and if it is not within the correct range the system will go immediately to fault mode, where it will remain indefinitely.

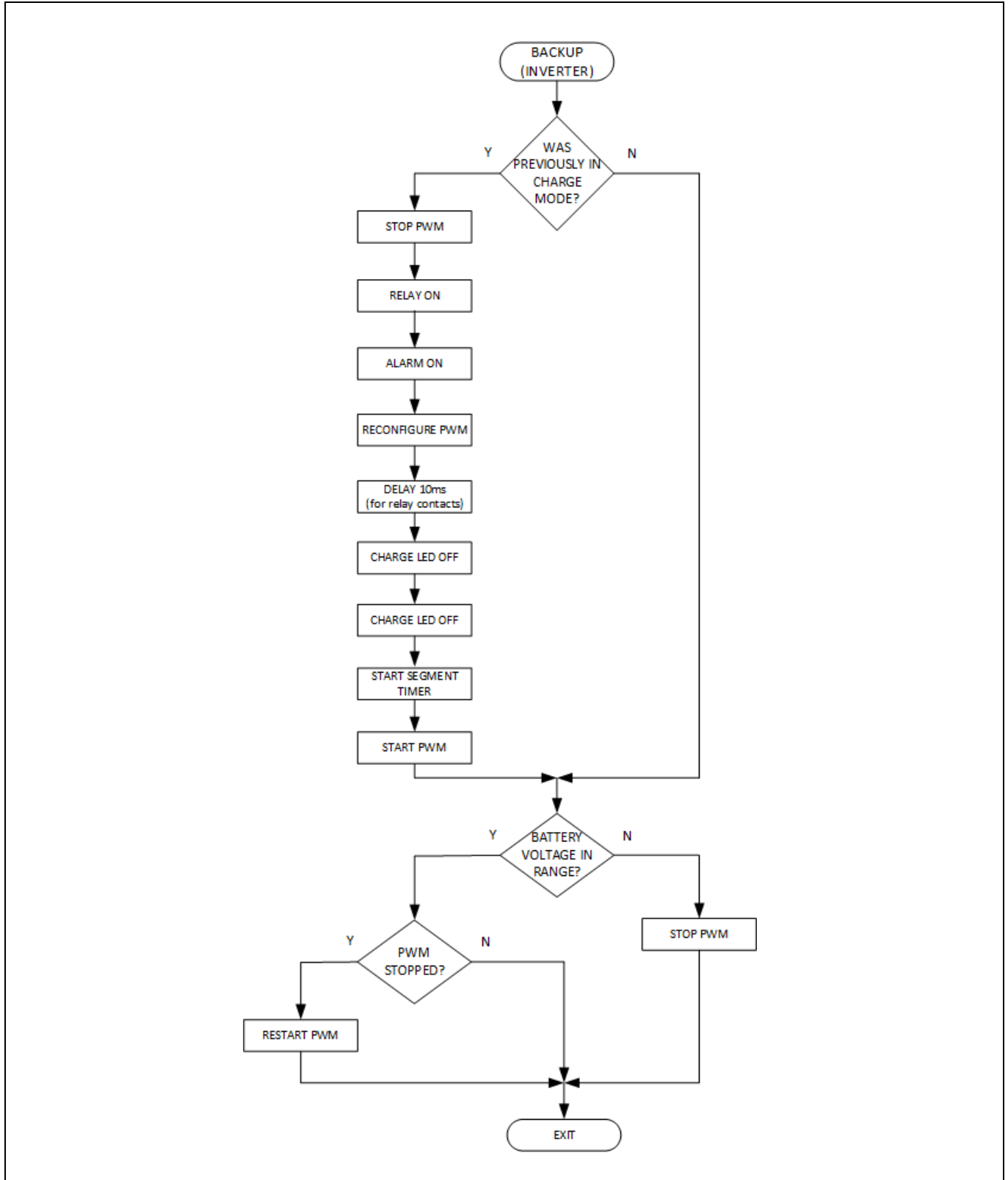
After going through initialization and start-up the loop enters the monitoring state. Initialization is executed only once at power-on and executes the sub-routines generated by the DAVE™ configuration tool that set up the peripherals as required for this system and also initializes some variables. The program is structured so that start-up would be executed if the system restarted after a fault condition, whereas initialization would only occur once at power-up.<sup>1</sup> During the monitoring state the firmware checks the status of the AC-line input. If the line input voltage is below a defined level a power failure is registered. If this is the case then the program will next go to the back-up state (relay open, inverter running) and if not it will go to the charging state (relay closed, battery charging). In both back-up and charging states a section of program is executed once only when the system changes from one of these states to the other, which controls the PWM output configuration, switching of the relay and LED display. These sections are skipped after the first time they have been executed.



**Figure 26 Back-up routine**

<sup>1</sup> Auto-restart after a fault condition is not implemented in the firmware.

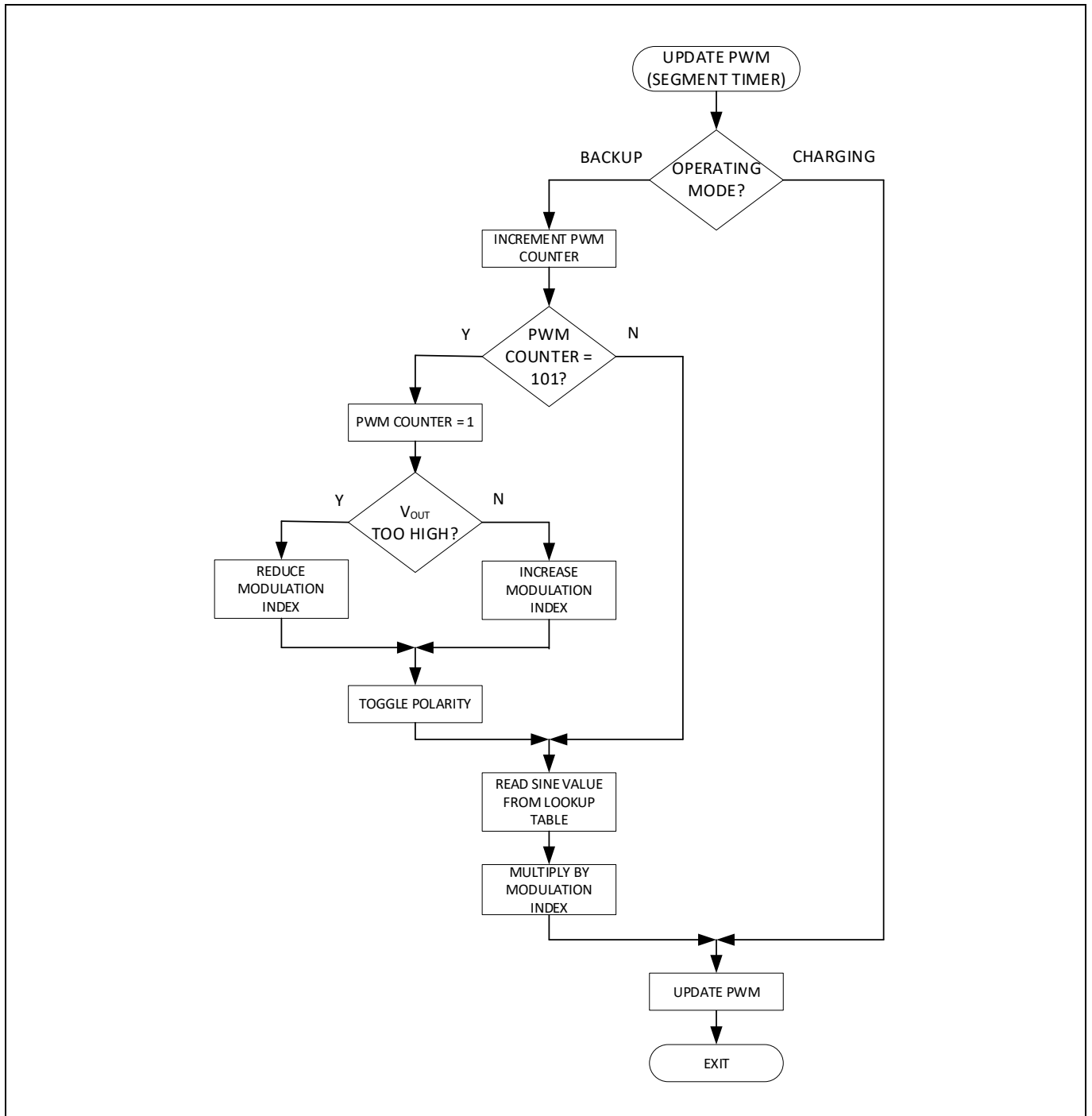
As seen in the flowchart, the remaining operations executed during the back-up routine run in the background to monitor the battery voltage and provide a warning signal when it drops to a certain level. The inverter will be disabled if the battery voltage is too high or if it has discharged to a defined minimum level.



**Figure 27** Charging routine

The charging routine operates in a similar way, where the battery voltage is monitored such that when it is low a larger fast-charging current is supplied, and when it has charged sufficiently for the terminal voltage to rise to another defined level the system is adjusted to provide a smaller slow-charging current.

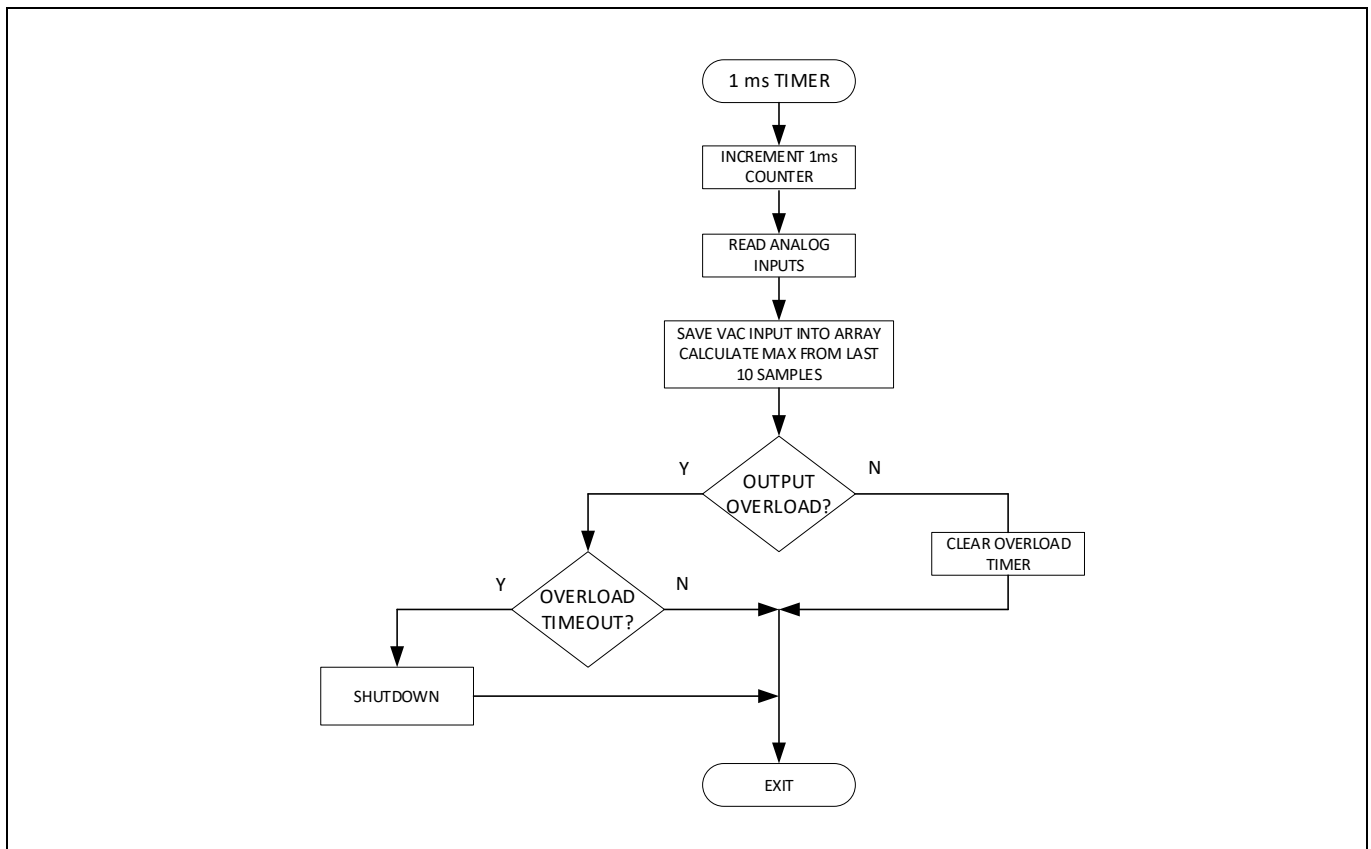
In the event of a fault occurring in either the back-up or charging states, the program will enter the fault state. During this state the outputs are deactivated to shut down the system, for example in the case of an over-load or short-circuit at the output. Fault monitoring is carried out during the timed background processes executed every AC half-cycle (83.3  $\mu$ s and 100  $\mu$ s).



**Figure 28 AC output segment update routine**

This sub-routine runs different instructions depending on whether the system is operating in back-up or charging mode. During charging mode the only operation is the PWM duty-cycle update according to a value determined in the main program loop. During back-up mode a counter is incremented which counts cyclically from 1 to 100 to provide the look up table position index for reading the correct value required to create a sinusoidal output voltage shape. This value is then multiplied by the modulation index, which controls the output voltage amplitude and is adjusted to maintain a regulated output. The output polarity is also reversed by swapping the PWM gate-drive signals from one side of the MOSFET full-bridge to the other every time the counter is reset from 100 to 1 at the zero crossing.

Another process is executed every 1 ms, which includes reading the analog inputs and checking for high battery current.



**Figure 29 1 ms routine**

In this sub-routine all of the analog inputs are read. Since the AC-line input is full wave rectified rather than DC, the ADC conversion results from this are stored in a queue containing the last 10 samples. The maximum value is then calculated, which is proportional to the RMS value used to measure the line input voltage.

The battery current is also monitored through an analog input, and if this exceeds a defined maximum limit for more than a defined number of consecutive samples, the program will be directed into the fault state.

An additional 100 ms sub-routine is used only for timing purposes to increment counters associated with soft-start and auto restarting (if implemented). The soft-start function is important when first transitioning from back-up to charging operation to provide a smooth run-up to the required battery charge current.

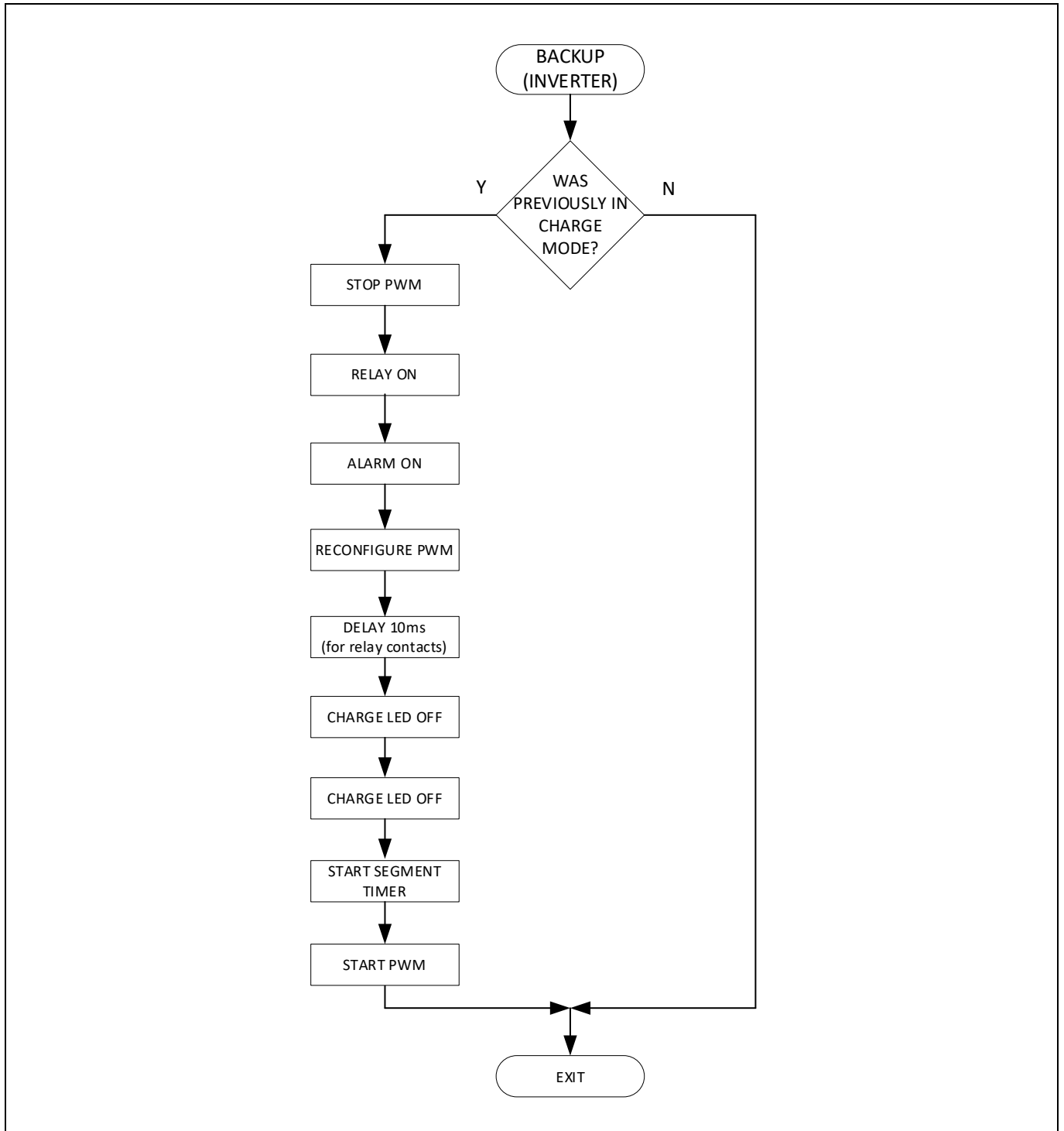


Figure 30 100 ms routine



## 5.5 In-circuit debugging with Micrium $\mu$ C probe

The Micrium  $\mu$ C probe enables the values of variables in the firmware to be read and displayed while the firmware is running. The panel may be configured by the developer to display any variables of interest, which can be represented numerically or in graphical form such as a linear meter, dial, or cylindrical bar indicator. Numeric values can be scaled to display a percentage or shown in their original form. In the example below the UPS demo board is running in back-up mode, driving a load of approximately 550 W. The battery voltage is indicated with a direct ADC conversion result and also with a scaled linear meter showing approximately 80 percent of the maximum value of approximately 15 V. The line input voltage is showing a very low value indicating that no AC supply is present. The modulation index is showing 100 percent indicating that the inverter is driving the MOSFETs at the maximum duty cycle at the AC waveform peaks. The battery charging current is indicated as zero (aside from some noise) and the current drawn from the battery while supplying the inverter is shown as just below 60 percent of the maximum rated value. These values can be scaled as desired depending on the specifications of the UPS.

A cylindrical bar indicator is used to indicate the battery state of charge, in this case 40 percent. This has been scaled to indicate 100 percent charge at 14.5 V and zero at 10 V below which the inverter will not operate. The mode indicator is simply to show which of the two states, back-up or charging, the firmware state machine is currently operating in.

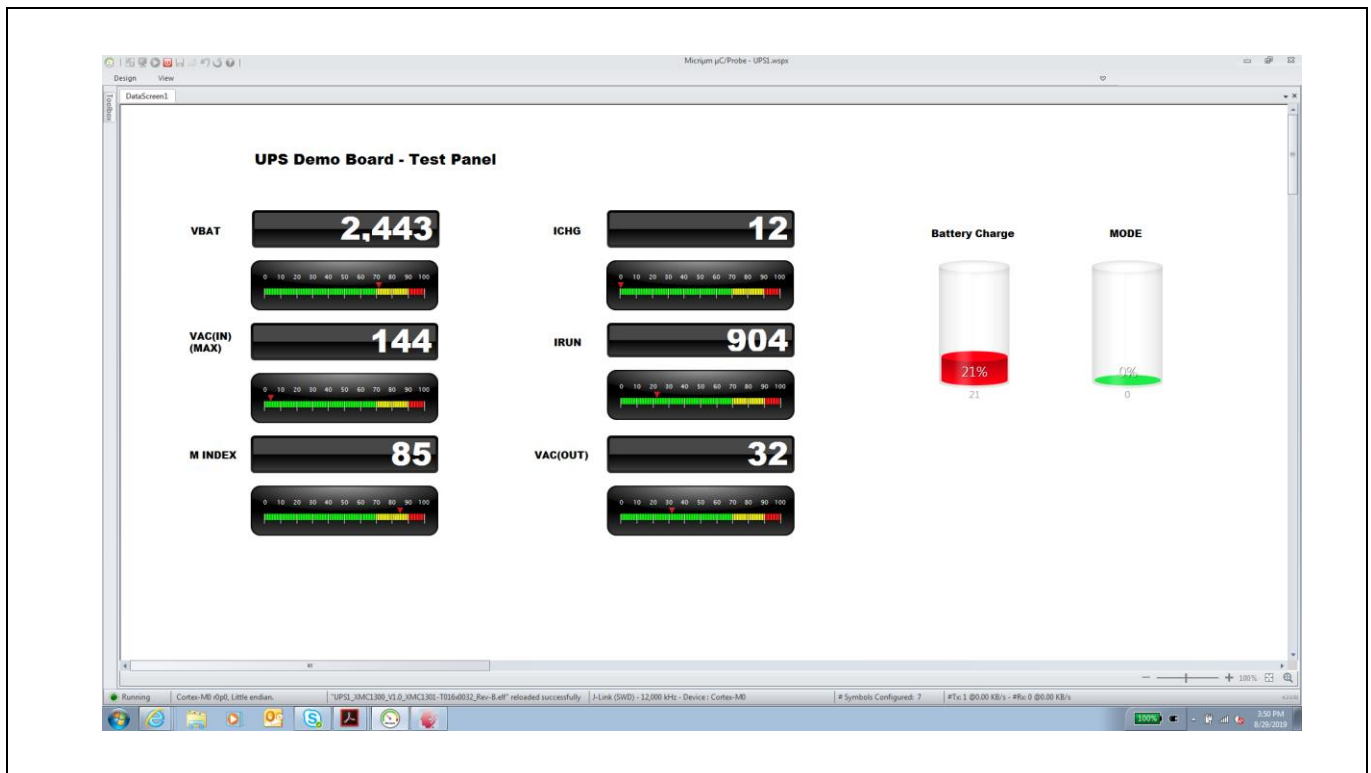


Figure 31 Micrium  $\mu$ C monitoring panel in back-up mode

The Micrium  $\mu$ C probe greatly simplifies the process of firmware debugging and customization of the parameters to meet the requirements of the particular system under development.

## 6 Bill of Materials (BOM)

### 6.1 Power board

Designator	Manufacturer	Part number	Quantity	Value/Rating
BR1	Diodes Inc.	DF10S-T	1	1000 V/1 A
C1 <sup>1</sup>	Yageo	CC1206KRX7R9BB104	1	100 nF/50 V/1206/10%
C2, C4, C10, C12	Yageo	CC1206KRX7R9BB104	4	100 nF/50 V/1206/10%
C3, C5	Samsung	CL31A106KAHNFNE	2	10 µF/25 V/1206/10%
C6, C7, C8	Nichicon	LG Y1H472MELA35	3	4700 µF/50 V
C9	Panasonic	ECW-F2104JAQ	1	0.1 µF/250 V
C11 <sup>2</sup>	Kemet	C878BF34400SA0J	1	4 µF/450 V AC
C13, C14, C15, C16, C17, C18, C19, C20, C21, C22, C23, C24	Samsung	CL31B105KBHNNNE	12	1 µF/50 V/1206/10%
D1, D2, D3, D4	Diodes Inc.	LL4148-13	4	75 V/0.15 A/MINIMELF
D5	Diodes Inc.	LL4148-13	1	75 V/0.15 A/MINIMELF
DZ1	On Semiconductor	1SMB5956BT3G	1	220 V/3 W/SMB
DZ2	Nexperia USA	BZV55C33,115	1	33 V/0.5 W/MINIMELF
DZ3	Micro Commercial Co.	BZV55C5V1-TP	1	5.1 V/0.5 W/MINIMELF
F1, F2	Littelfuse	0287040.PXCN	2	40 A/32 V/Blade
F3	Bel Fuse Inc.	5ST 5-R	1	Fuse 5 A/250 V/20 x 5 mm
FH1, FH2, FH3	MPD, Keystone Electronics	BK-6010, 3527	3	Fuse block blade PCB, fuse block 250 V/6.3 A/5 x 20 mm PCB
HSK1, HSK2, HSK3, HSK4			4	
P1	Panduit Corp.	CXS70-14-C	1	Rectangular lug 4-14 AWG #1/4
P2	Panduit Corp.	CXS70-14-C	1	Rectangular lug 4-14 AWG #1/4
P3	Panduit Corp.	CXS70-14-C	1	Rectangular lug 4-14 AWG #1/4
P4	Würth	691414720002B	1	2-position 5 mm/45 degrees
P5	Panduit Corp.	CXS70-14-C	1	Rectangular lug 4-14 AWG #1/4
P6	Würth	691414720002B	1	2-position 5 mm/45 degrees
P7	Würth	691414720003B	1	3-position 5 mm/45 degrees
P8	Molex	0022232121	1	Header, 12-position, 0.1-inch, vertical

<sup>1</sup> C1 may be changed to adjust the delay for over-load and short-circuit shut-down.

<sup>2</sup> This capacitor is external to the board, connected via P6.

## Application note

### Bill of Materials (BOM)

P9	Würth	691414720003B	1	3-position 5 mm/45 degrees
P10	Würth	61300411121	1	4-way header, 0.1 inch
P11	Würth	691414720002B	1	2-position 5 mm/45 degrees
Q1, Q2, Q3, Q4, Q5, Q6, Q7, Q8, Q9, Q10, Q11, Q12	Infineon	IRFS7440	12	40 V/120 A/2 mΩ/D2PAK
Q13	On Semiconductor	SMMBT3904LT1G	1	NPN/40 V/0.2 A/SOT-23
Q14	Diodes Inc	BS250FTA	1	PMOS/45V/0.09A/SOT-23-3
R1, R27	Panasonic	ERJ-8GEYJ104V	2	100 k/0.25 W/1206/5%
R2	Panasonic	ERJ-8GEYJ183V	1	18 k/0.25 W/1206/5%
R3, R4, R5, R6, R7, R8, R13, R14, R15, R16, R17, R18	Panasonic	ERJ-8GEYJ4R7V	12	4.7/0.25 W/1206/5%
R9, R10, R19, R20	Panasonic	ERJ-8GEYJ10V	4	10/0.25 W/1206/5%
R11, R12, R21, R22, R26, R28, R29, R30, R31, R41	Panasonic	ERJ-8GEYJ103V	10	10 k/0.25 W/1206/5%
R23, R32, R33, R34, R35, R38, R44, R45	Panasonic	ERJ-8GEYJ102V, ERJ-8ENF1001V	8	1 k/0.25 W/1206/1%
R24, R25	Ohmite	EBWB-NR0010FET	2	1 mΩ/6 W/1%
R36	Panasonic	ERJ-8GEYJ223V	1	22 k/0.25 W/1206/5%
R37, R39	Panasonic	ERJ-8ENF2203V	2	220 k/0.25 W/1206/1%
R40	Panasonic	ERJ-8ENF3571V	1	3.57 k/0.25 W/1206/1%
R42	Epcos	B57703M0103G040	1	NTC/10 k/3988 K/Ring
R43	Panasonic	ERJ-8GEYJ681V	1	680/0.25 W/1206/5%
RL1	Omron	G5LE-14 DC12	1	10 A, SPDT
T1	Triad Magnetics	FS12-090-C2	1	1.1 VA-115/230 V AC to 6.3 + 6.3 V AC
TP1, TP9, TP13	Keystone	1502-2	3	Test point
TP2	Keystone	1502-2	1	Test point
TP3	Keystone	1502-2	1	Test point
TP4	Keystone	1502-2	1	Test point
TP5	Keystone	1502-2	1	Test point
TP6	Keystone	1502-2	1	Test point
TP7	Keystone	1502-2	1	Test point
TP8	Keystone	1502-2	1	Test point

# Low frequency transformer based SOHO UPS design



## Application note

### Bill of Materials (BOM)

TP10	Keystone	1502-2	1	Test point
TP11	Keystone	1502-2	1	Test point
TP12	Keystone	1502-2	1	Test point
U1, U2	Infineon	2EDL8124GXUMA1	2	Gate-driver IC
U3	Lite-On Inc.	LTV-817S-TA1	1	5 kV/4-SMD
U4, U5	Diodes Inc.	ZTL431	2	IC, voltage reference, SOT23-3
VR1	Diodes Inc.	AS7815ADTR-G1	1	12 V/1 A/TO252-2
PCB		Revision E2		

## Application note

### Bill of Materials (BOM)

#### 6.2 Daughter card

Designator	Manufacturer	Part number	Quantity	Value/Rating
C2, C3, C4, C5, C6, C7, C9, C10	Yageo	CC1206KRX7R9BB104	8	100 nF/50 V/1206/10%
C1	Samsung	CL31A475KAHNNNE	1	4.7 $\mu$ F/25 V/1206/10%
C8, C11	Panasonic	EEU-EB1E470SH	2	47 $\mu$ F/25 V/20%
D1, D2, D6, D7	Diodes Inc.	B1100-13-F	4	Schottky/1 V/1 A/SMA
D3	Dialight	5988270107F	1	Green/2 V/1206
D4	Dialight	5988240107F	1	Yellow/2 V/1206
D5	Dialight	5988210107F	1	Red/2 V/1206
DZ1	Micro Commercial Co.	BZV55C5V1-TP	1	5.1 V/0.5 W/MINIMELF
P1	Amphenol FCI	67996-408HLF	1	Header 2 x 4, 0.1 inch, male pins
P2	Sullins Connector Solutions	PPTC121LGBN-RC	1	12-way header receptacle
P3	Würth	691414720002B	1	2-position 5 mm/45 degrees
Q1	On Semiconductor	SMMBT3904LT1G	1	NPN/40 V/0.2 A/SOT-23
R1, R3, R6, R8, R16	Panasonic	ERJ-8GEYJ102V, ERJ-8ENF1001V	5	1 k/0.25 W/1206/1%
R2, R7, R11, R14	Panasonic	ERJ-8ENF1002V	4	10 k/0.25 W/1206/1%
R4	Panasonic	ERJ-8ENF5103V	1	510 k/0.25 W/1206/1%
R5	Panasonic	ERJ-8ENF5603V	1	560 k/0.25 W/1206/1%
R9	Panasonic	ERJ-8GEYJ104V	1	100 k/0.25 W/1206/5%
R10	Panasonic	ERJ-8ENF3002V	1	30 k/0.25 W/1206/1%
R12, R13, R15, R18	Panasonic	ERJ-8GEYJ221V	4	220/0.25 W/1206/5%
R17	Panasonic	ERJ-8ENF3301V	1	3.3 k/0.25 W/1206/1%
S1, S2	C&K Switches	OS102011MS2QN1	2	SPDT/12 V/100 mA
SN1	TDK	PS1240P02BT	1	Piezoelectric buzzer 2 kHz/3 V/100 mA
U1	ST Microelectronics	TS9222IYDT	1	IC, dual op-amp, SO8
U2	Infineon	XMC1301T016F0032ABXUMA1	1	8 kB Flash ROM/16 kB RAM
VR1	Diodes Inc.	AZ1117EH-3.3TRG1	1	3.3 V/1 A/SOT-223
C1, C2, C4 C6, C7, C9, C10	Yageo	CC1206KRX7R9BB104	7	100 nF/50 V/1206/10%
C3, C5, C8, C11	Panasonic	EEU-EB1E470SH	4	47 $\mu$ F/25 V/20%
D1, D2, D6, D7	Diodes Inc.	B1100-13-F	4	Schottky/1 V/1 A/SMA
D3	Dialight	5988270107F	1	Green/2 V/1206
D4	Dialight	5988240107F	1	Yellow/2 V/1206
D5	Dialight	5988210107F	1	Red/2 V/1206

# Low frequency transformer based SOHO UPS design



## Application note

### Bill of Materials (BOM)

DZ1	Micro Commercial Co.	BZV55C5V1-TP	1	5.1 V/0.5 W/MINIMELF
P1	Amphenol FCI	67996-408HLF	1	Header 2 x 4, 0.1 inch, male pins
P2	Sullins Connector Solutions	PPTC121LGBN-RC	1	12-way header receptacle
P3	Würth	691414720002B	1	2-position 5 mm/45 degrees
Q1	On Semiconductor	SMMBT3904LT1G	1	NPN/40 V/0.2 A/SOT-23
R1, R3, R6, R8, R16	Panasonic	ERJ-8GEYJ102V, ERJ-8ENF1001V	5	1 k/0.25 W/1206/1%
R2, R7, R11, R14	Panasonic	ERJ-8ENF1002V	4	10 k/0.25 W/1206/1%
R4	Panasonic	ERJ-8ENF5103V	1	510 k/0.25 W/1206/1%
R5	Panasonic	ERJ-8ENF5603V	1	560 k/0.25 W/1206/1%
R9	Panasonic	ERJ-8GEYJ104V	1	100 k/0.25 W/1206/5%
R10	Panasonic	ERJ-8ENF3002V	1	30 k/0.25 W/1206/1%
PCB		Revision C		

## 7 Transformer specifications

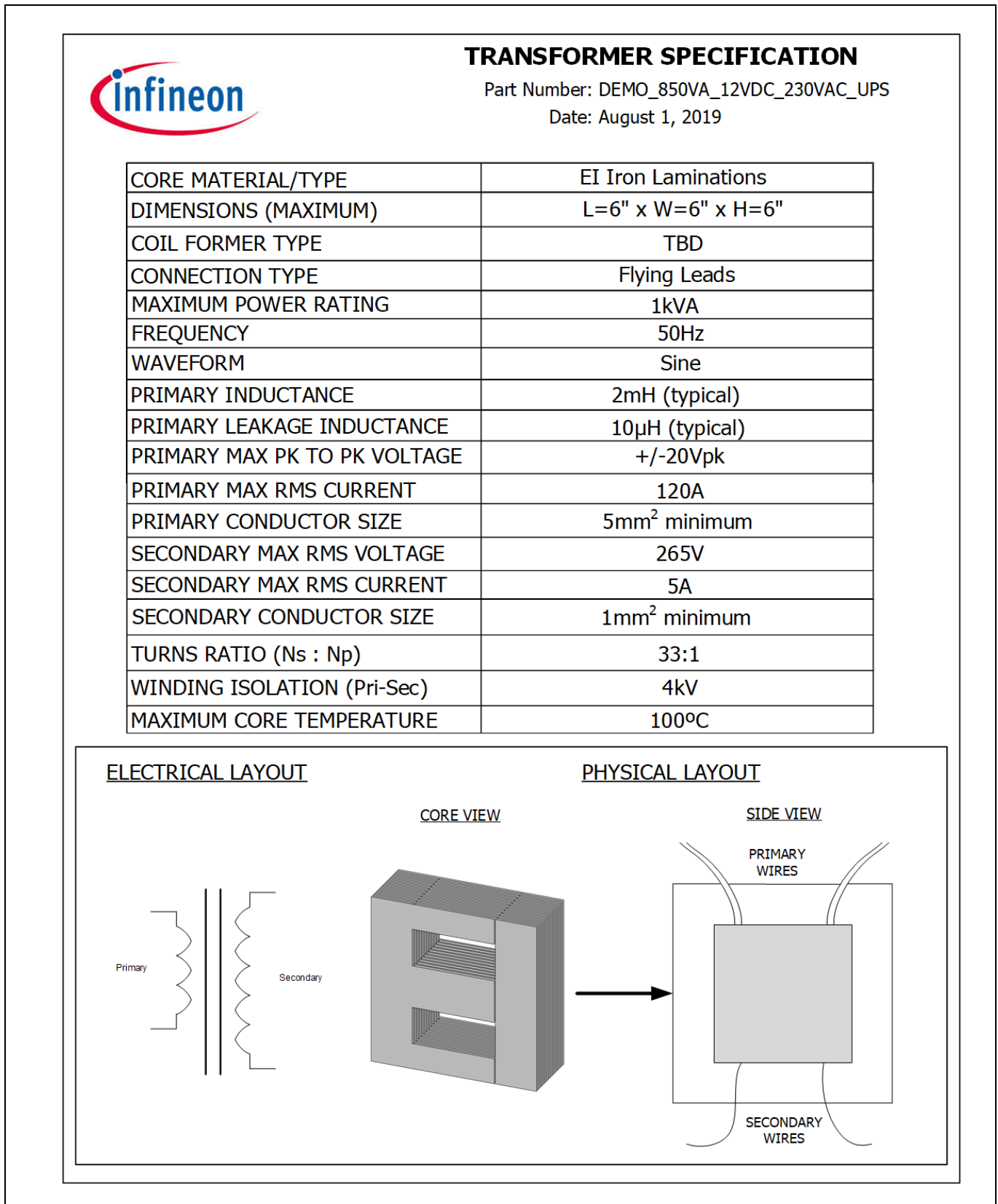


Figure 32 UPS transformer specification

## 8 PCB layout

### 8.1 Main power board layout and heatsinking

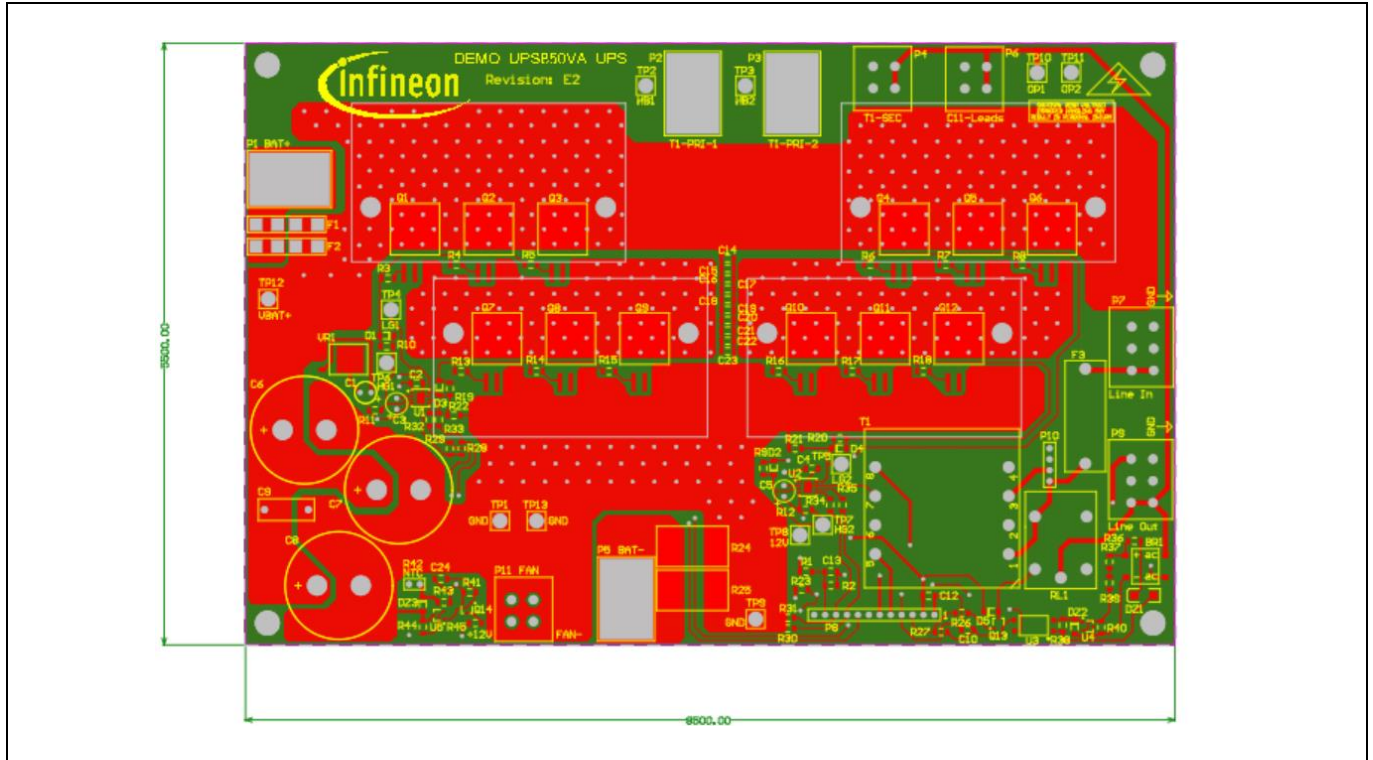


Figure 33 Main power board top side

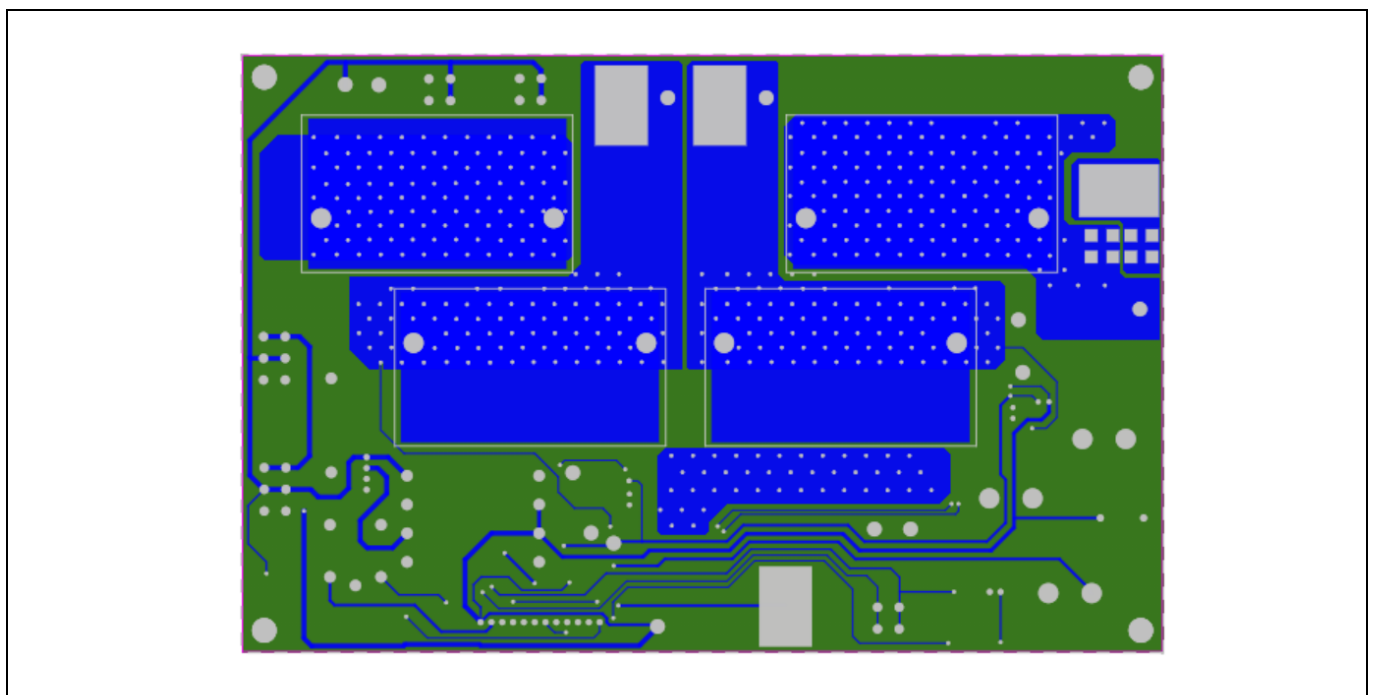


Figure 34 Main power board bottom side



Since the board is required to conduct average currents up to 90 A, the copper conductor on both sides needs to be at least 2 oz. per square ft. thick, which corresponds to a thickness of 70  $\mu\text{m}$  (2.8 mils). These high currents pass from the battery positive terminal P1 through the full-bridge MOSFETs through the transformer primary via P2 and P3 then through the CS shunts R24 and R25 and finally back to the battery negative via P5. Traces carrying these currents are kept as wide as possible. The MOSFET drains are connected from the top side to the bottom side through multiple vias, which transfer heat through to the heatsinks mounted underneath the PCB. The rectangular areas shown on the bottom-side PCB image above represent the outlines of the heatsinks, whose fins face downward. There is no solder resist covering the bottom side copper in these regions to allow a direct metal-to-metal contact with the heatsinks.

All other components, including gate drivers, output voltage sensing and thermal protection circuitry as well as the relay, the AC input transformer, fuses and connectors, are located on the top side of the PCB. The layout is a trade-off between correct SMPS layout practices such as minimizing distances from gate drivers to MOSFETs to reduce the effect of parasitic inductances against thermal management by using large areas of copper with the shortest practical trace lengths.

Supervisory circuitry does not contribute to EMI and does not carry critical HF signals, therefore it can be placed in any convenient location not already populated.

## 9 Test results

### 9.1 Back-up mode

The following tables show the test results for the UPS inverter operating with several different resistive fixed loads. A Yokogawa WT1802E power analyzer was used to measure the voltages and currents and to compute the power. DC voltage and current measurements are used for the battery measurements and RMS measurements are used for the AC output. Since the battery current contains a large component of ripple at twice the output frequency, the power analyzer computes the average.

It should be noted that since most of the power losses occur in the transformer, the efficiency results will be very much dependent on the transformer design. Since the UPS is normally designed to operate only for a short time in the event of an AC-line outage, the transformer is often designed to operate only for a few minutes at full load, which is all that is required for the application.

**Table 3 Resistive load, 126 W at regulated output voltage**

$V_{IN}$ (V DC)	$I_{IN}$ (A DC)	$P_{IN}$ (W)	$V_{OUT}$ (V <sub>RMS</sub> )	$I_{OUT}$ (A <sub>RMS</sub> )	$P_{OUT}$ (W)	Efficiency
9	12.1	108.1	184	0.52	94.8	
10	12.9	127.8	206	0.55	112.7	88.2%
11	13.0	142.8	222	0.57	126.8	88.8%
12	12.0	143.3	222	0.57	126.4	88.2%
13	11.2	145.7	222	0.57	126.3	86.7%
14	10.4	145.4	224	0.57	128.1	88.1%
15	9.8	146.4	224	0.57	128.1	87.5%

**Table 4 Resistive load, 263 W at regulated output voltage**

$V_{IN}$ (V DC)	$I_{IN}$ (A DC)	$P_{IN}$ (W)	$V_{OUT}$ (V <sub>RMS</sub> )	$I_{OUT}$ (A <sub>RMS</sub> )	$P_{OUT}$ (W)	Efficiency
9	23.4	209.4	172	1.03	177.1	
10	24.8	246.0	192	1.10	211.5	86.0%
11	26.3	287.6	213	1.16	246.8	85.8%
12	25.5	304.2	221	1.19	263.0	86.5%
13	23.7	307.6	222	1.19	263.9	85.8%
14	22.1	308.8	222	1.19	264.1	85.5%
15	20.5	305.7	220	1.19	262.0	85.7%

### Test results

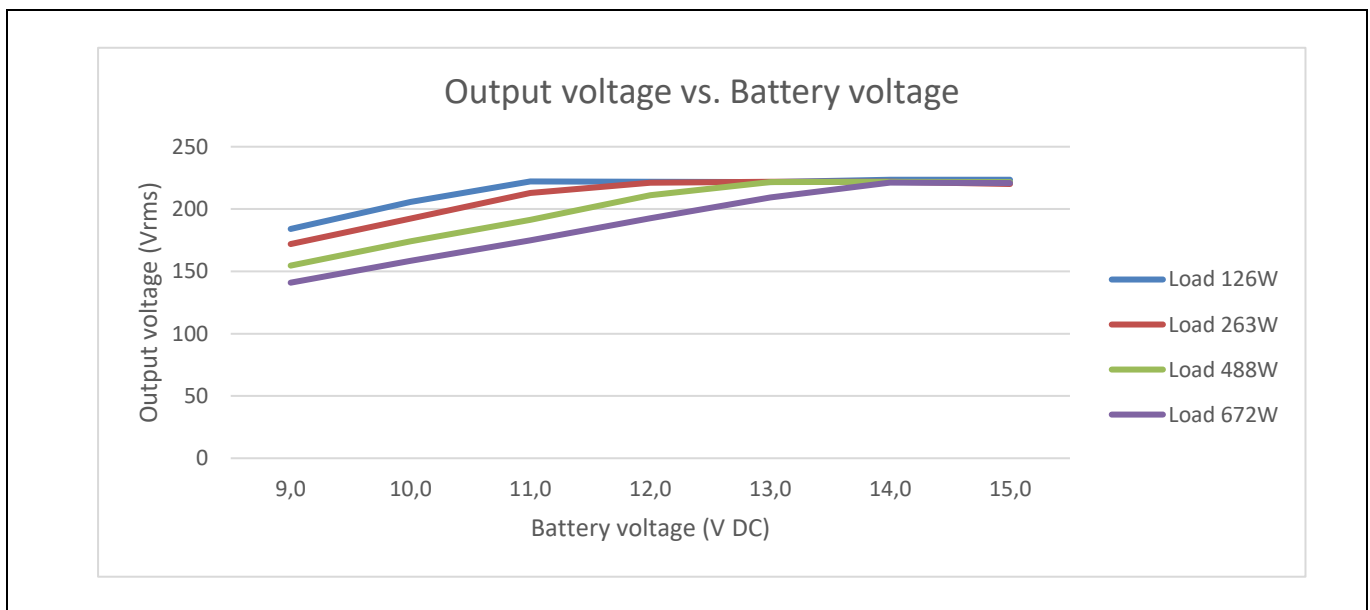
**Table 5 Resistive load, 488 W at regulated output voltage**

$V_{IN}$ (V DC)	$I_{IN}$ (A DC)	$P_{IN}$ (W)	$V_{OUT}$ (V <sub>RMS</sub> )	$I_{OUT}$ (A <sub>RMS</sub> )	$P_{OUT}$ (W)	Efficiency
9	39.2	348.9	155	1.80	278.3	79.8%
10	41.9	415.8	174	1.92	334.5	80.4%
11	44.5	484.6	191	2.03	388.5	80.2%
12	46.8	555.4	211	2.14	452.0	81.4%
13	45.8	589.8	222	2.20	487.7	82.7%
14	42.5	592.0	222	2.20	488.0	82.4%
15	39.7	592.2	222	2.20	487.7	82.4%

**Table 6 Resistive load, 672 W at regulated output voltage**

$V_{IN}$ (V DC)	$I_{IN}$ (A DC)	$P_{IN}$ (W)	$V_{OUT}$ (V <sub>RMS</sub> )	$I_{OUT}$ (A <sub>RMS</sub> )	$P_{OUT}$ (W)	Efficiency
9	52.5	465.9	141	2.39	336.8	72.3%
10	55.7	545.5	158	2.54	402.3	73.8%
11	59.1	641.6	175	2.68	468.5	73.0%
12	62.2	734.0	193	2.82	543.4	74.0%
13	65.3	835.2	209	2.95	617.1	73.9%
14	64.0	882.8	221	3.04	672.4	76.2%
15	59.7	883.0	221	3.03	669.0	75.8%

The results for the above tables are summarized in the following graphs:



**Figure 35 Output voltage vs. battery voltage for different loads**

Test results

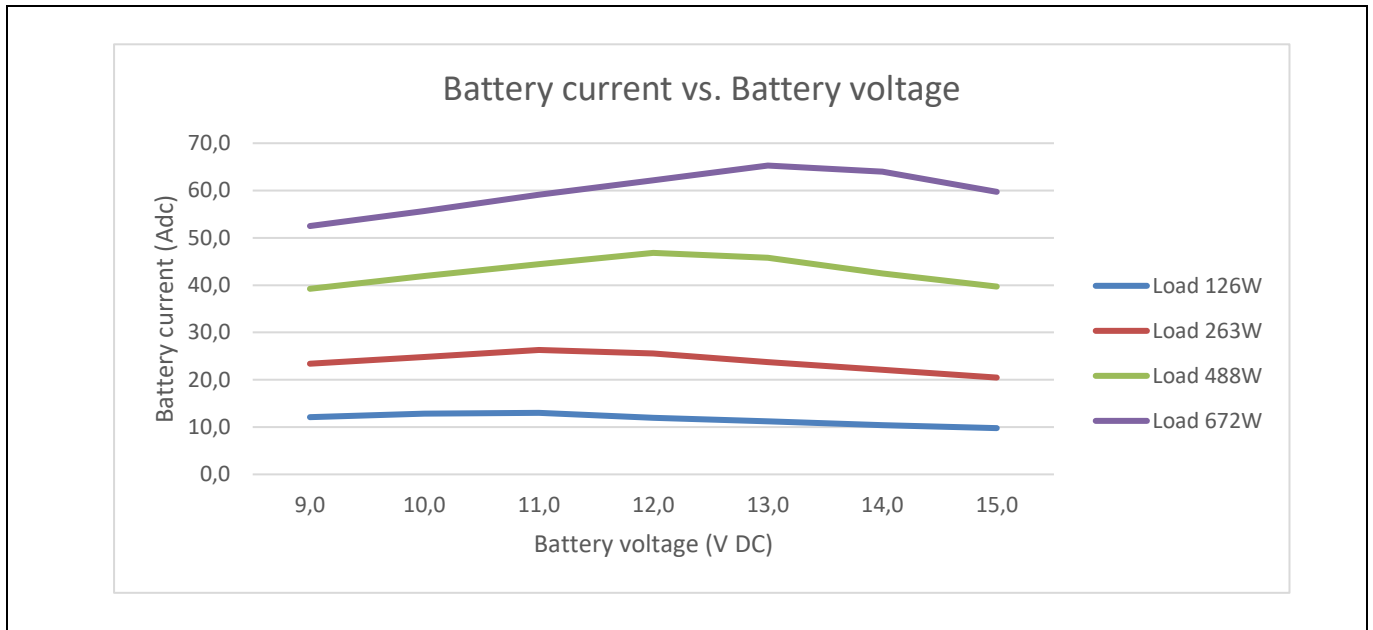


Figure 36 Battery current vs. battery voltage for different loads

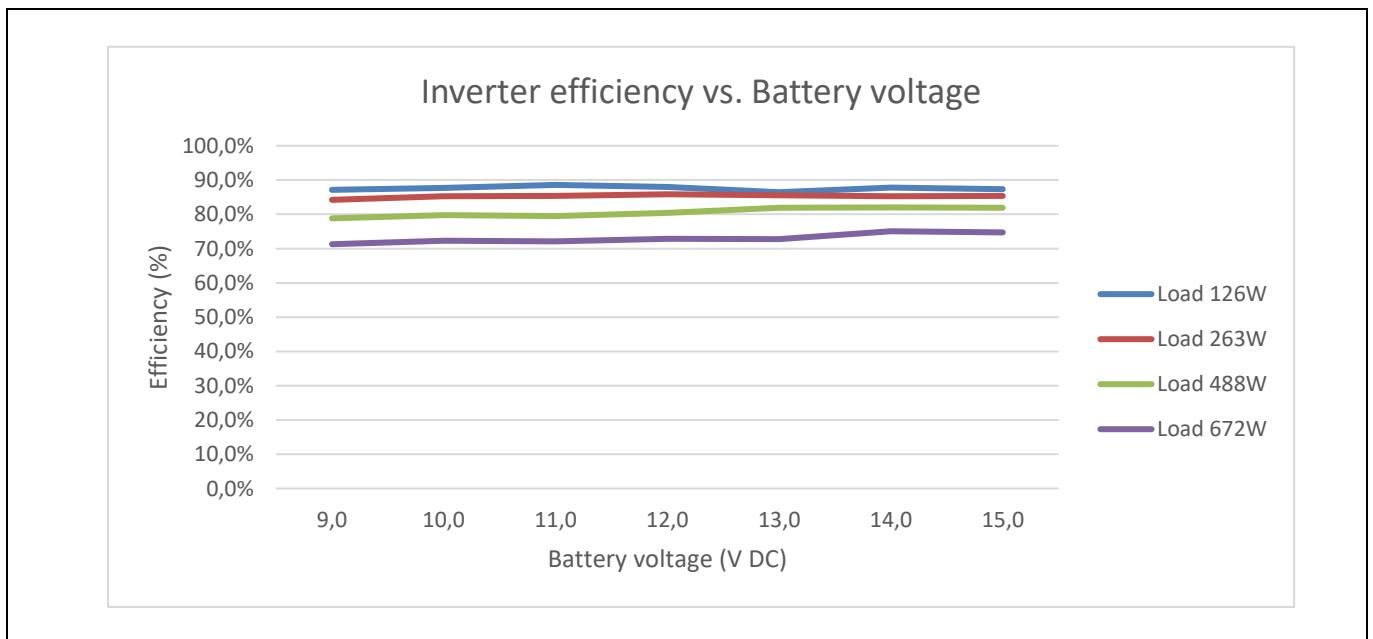


Figure 37 Efficiency vs. battery voltage for different loads

Test results

9.1.1 Operating waveforms

9.1.1.1 Inverter start-up and steady-state output voltage

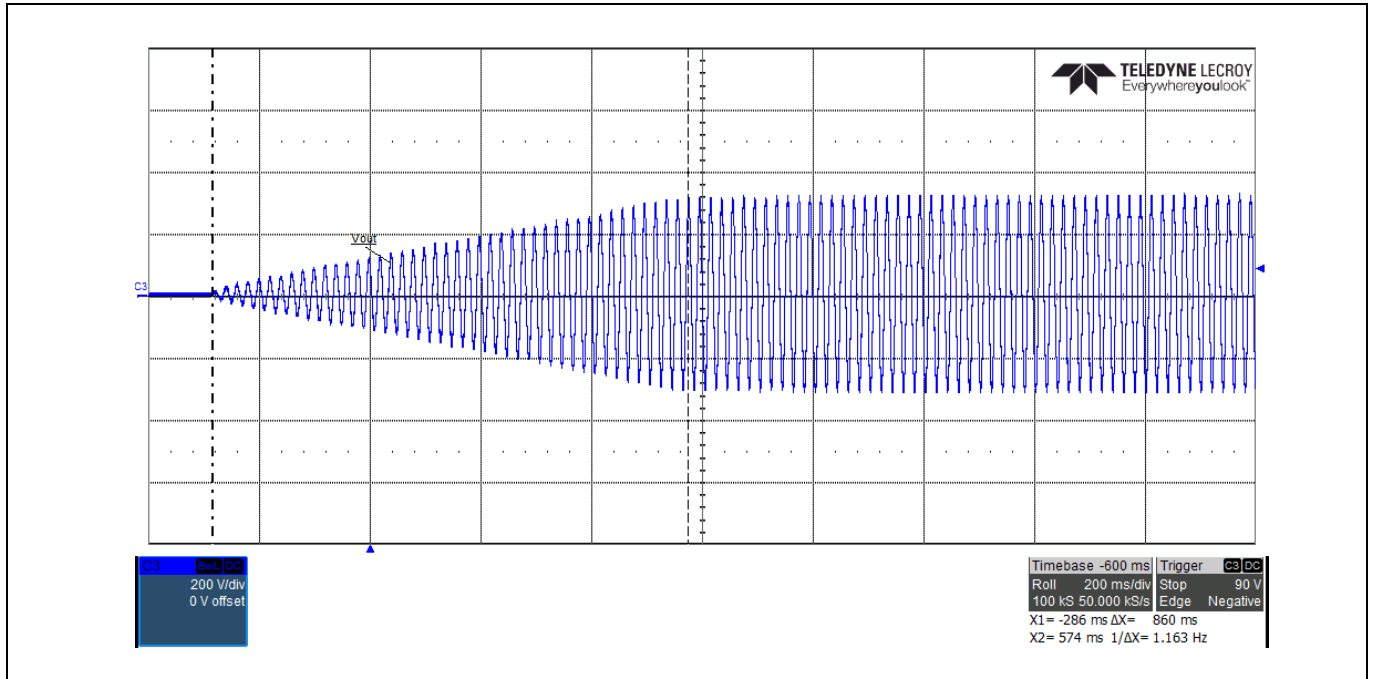


Figure 38 Start-up at zero load  
Output voltage (blue)

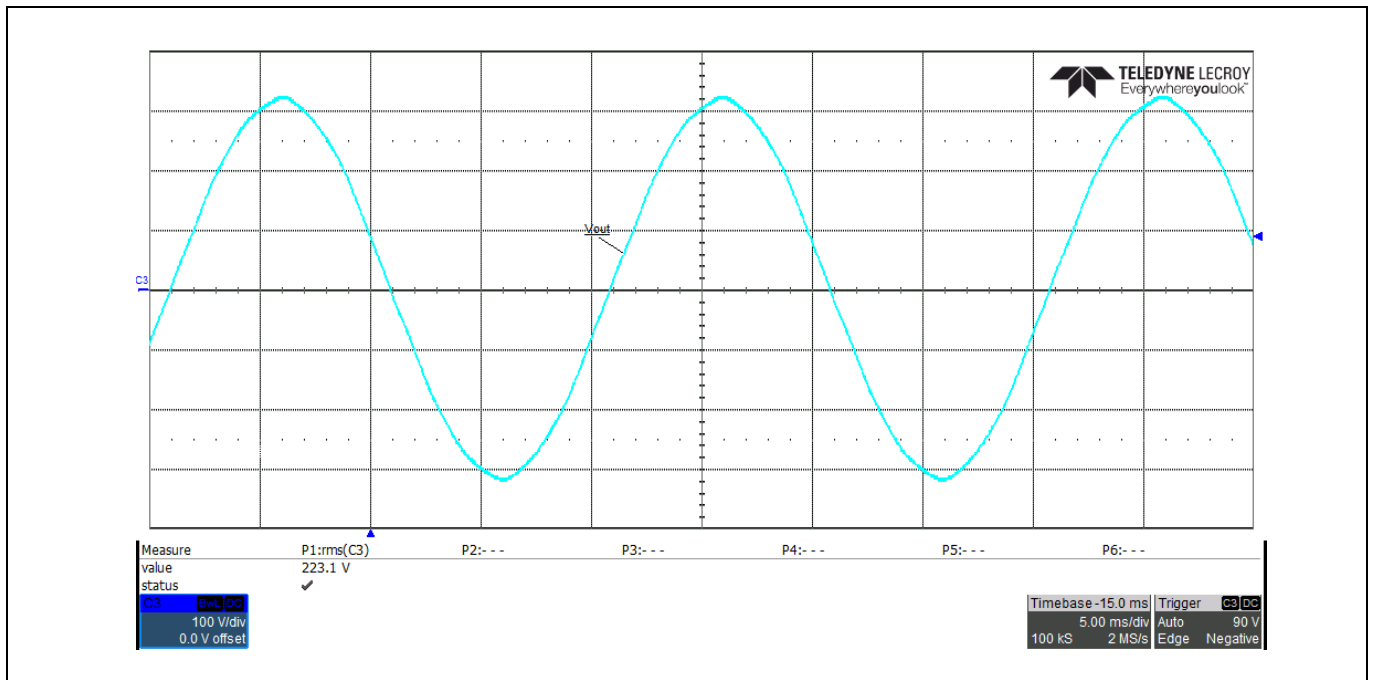
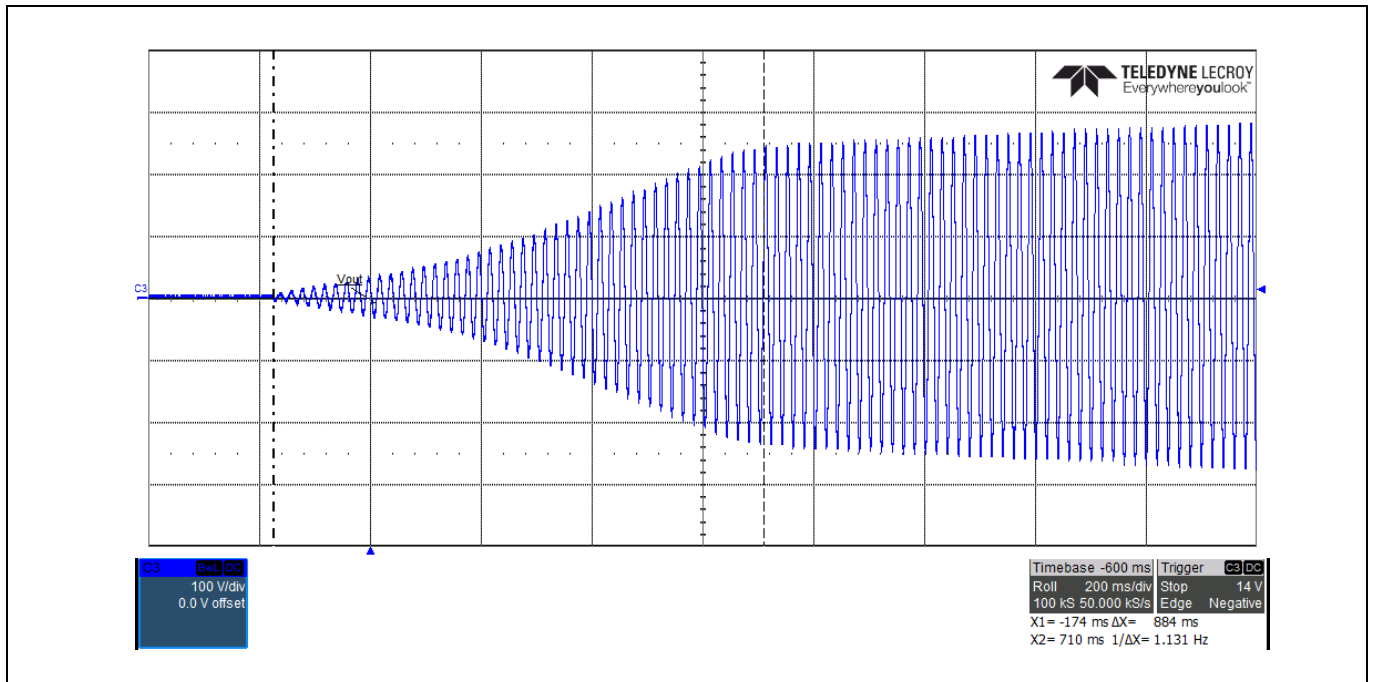
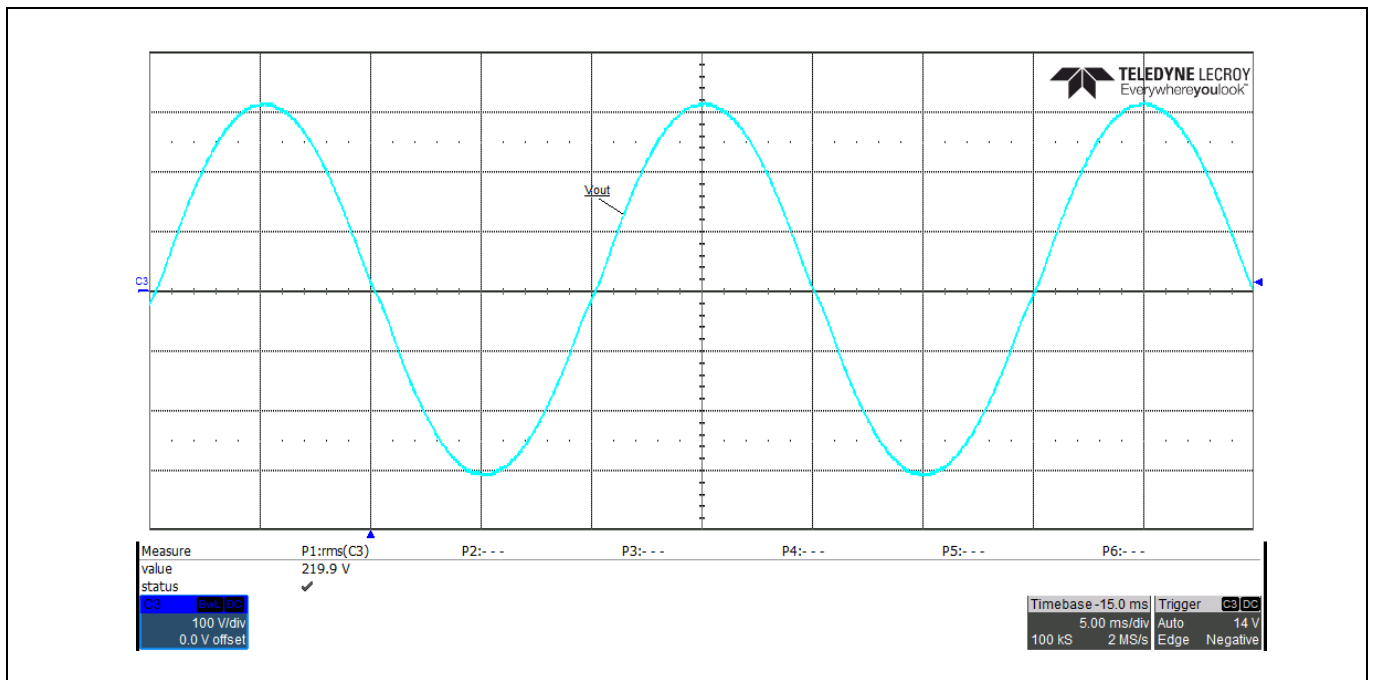


Figure 39 Steady-state at zero load  
Output voltage (blue)

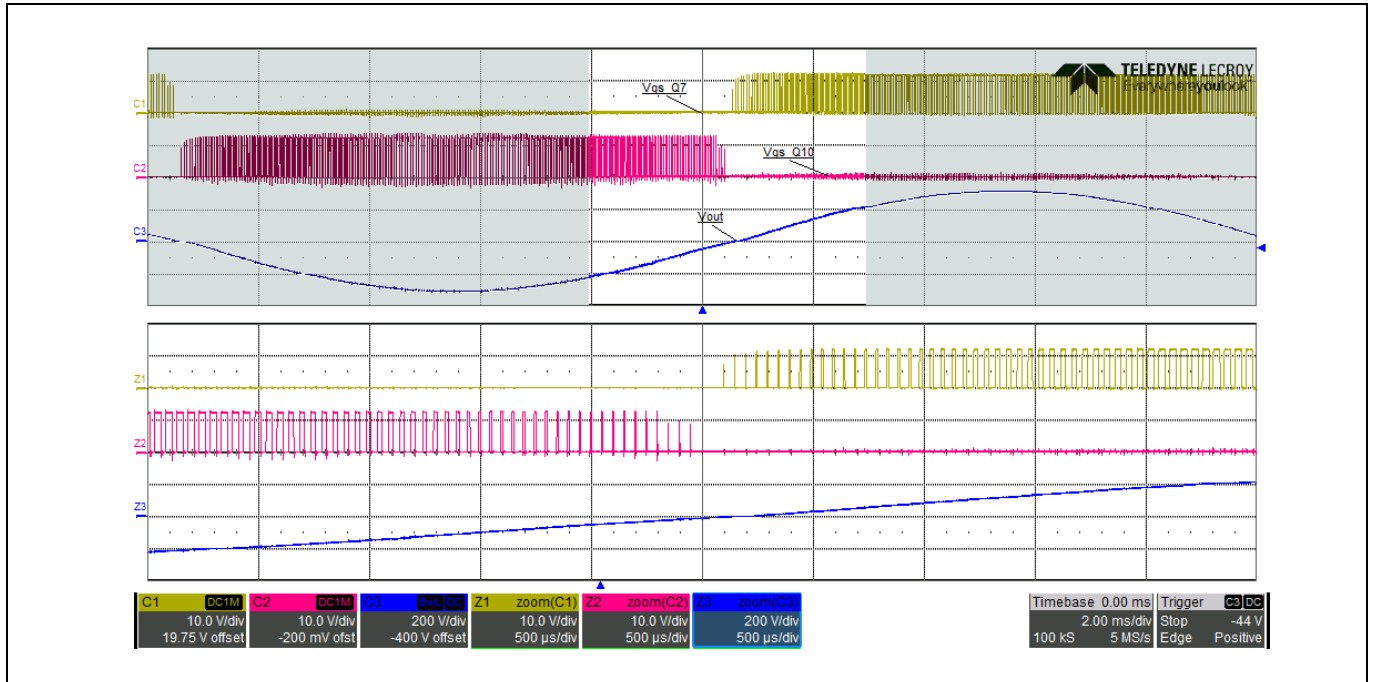


**Figure 40** Start-up at 488 W resistive load  
Output voltage (blue)

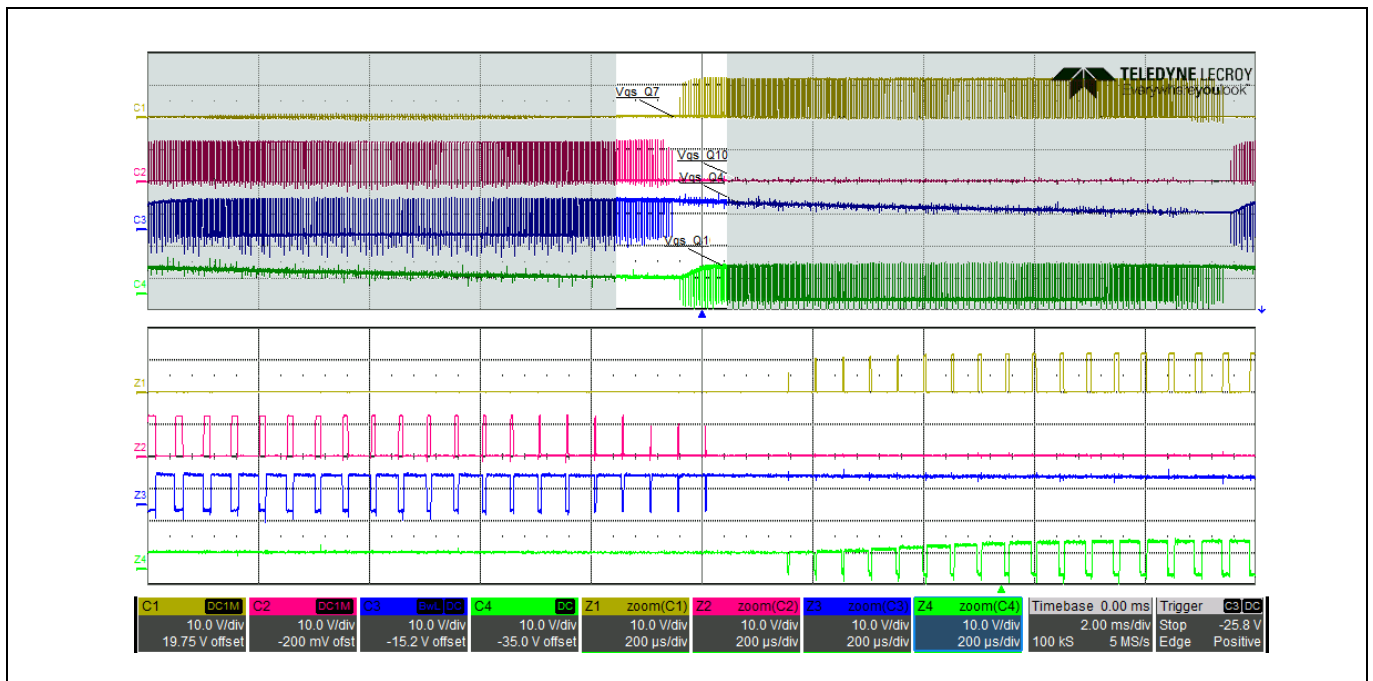


**Figure 41** Steady-state at 488 W resistive load  
Output voltage (blue)

#### 9.1.1.2 Gate-drive waveforms

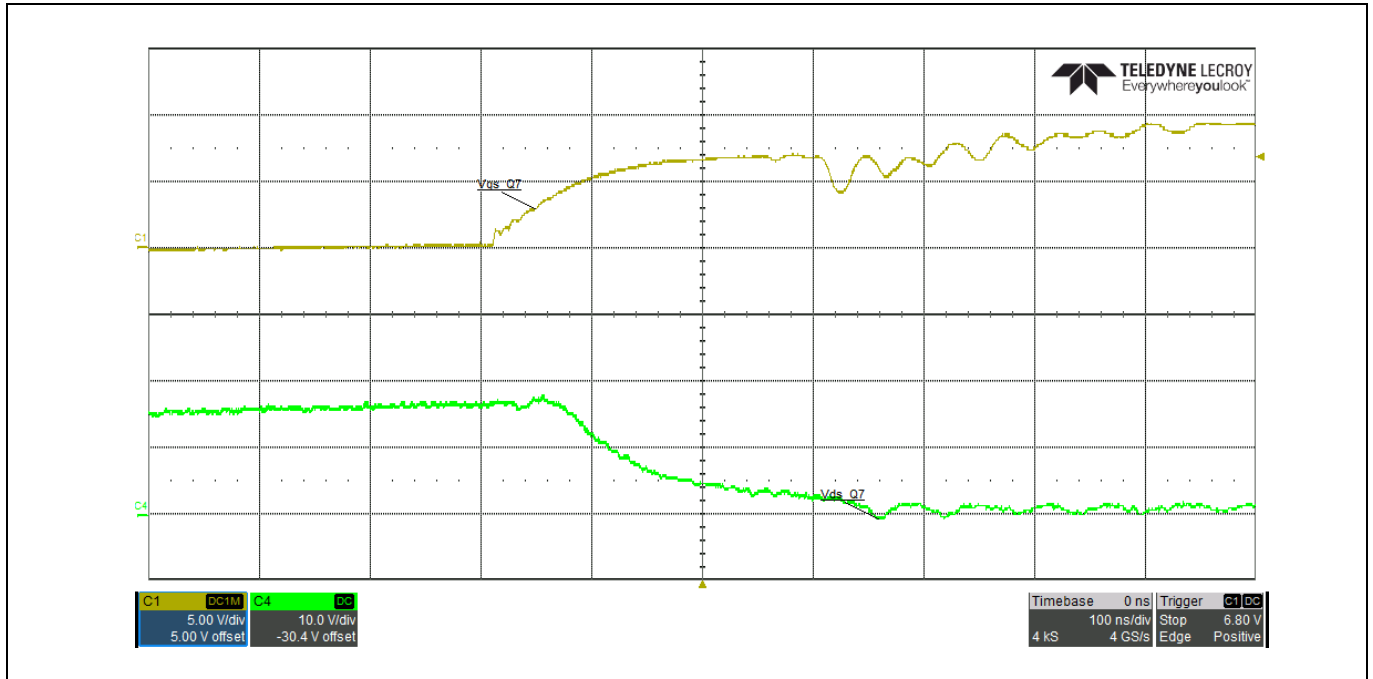


**Figure 42** Low-side gate-drive waveforms and output voltage at 263 W resistive load  
 $V_{gs\_Q7}$  (yellow),  $V_{gs\_Q10}$  (red), output voltage (blue)

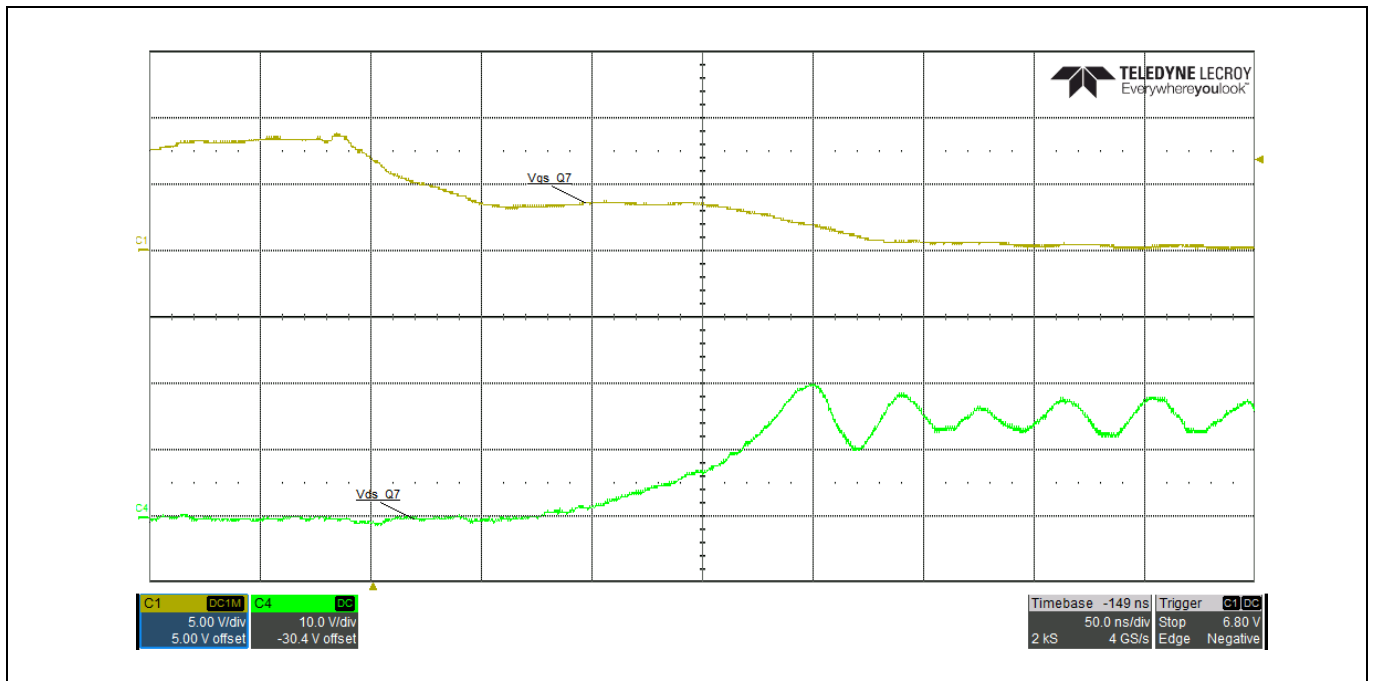


**Figure 43** High and low gate-drive waveforms at 263 W resistive load at AC the zero crossing  
 $V_{gs\_Q7}$  (yellow),  $V_{gs\_Q10}$  (red),  $V_{gs\_Q4}$  (blue),  $V_{gs\_Q1}$  (green)

### 9.1.1.3 MOSFET switching waveforms



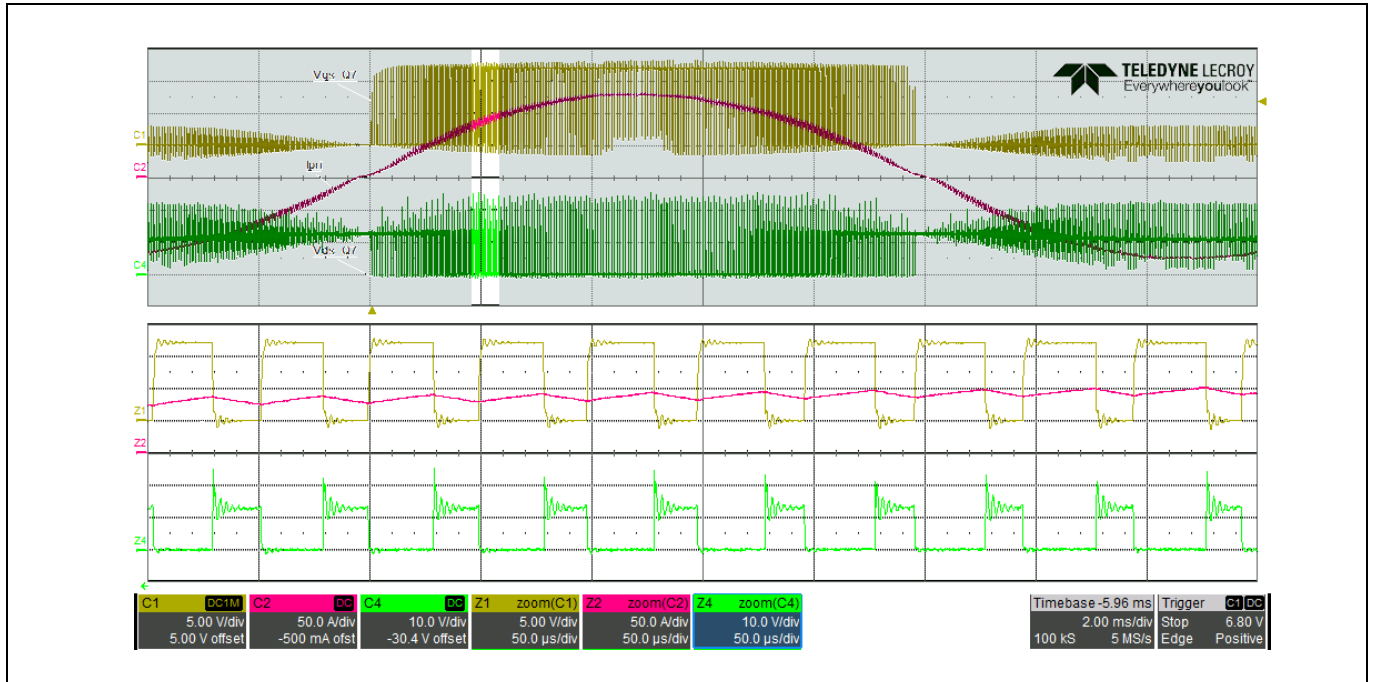
**Figure 44** Low-side switch-on waveforms at 672 W resistive load  
 $V_{gs\_Q7}$  (yellow),  $V_{ds\_Q7}$  (green)



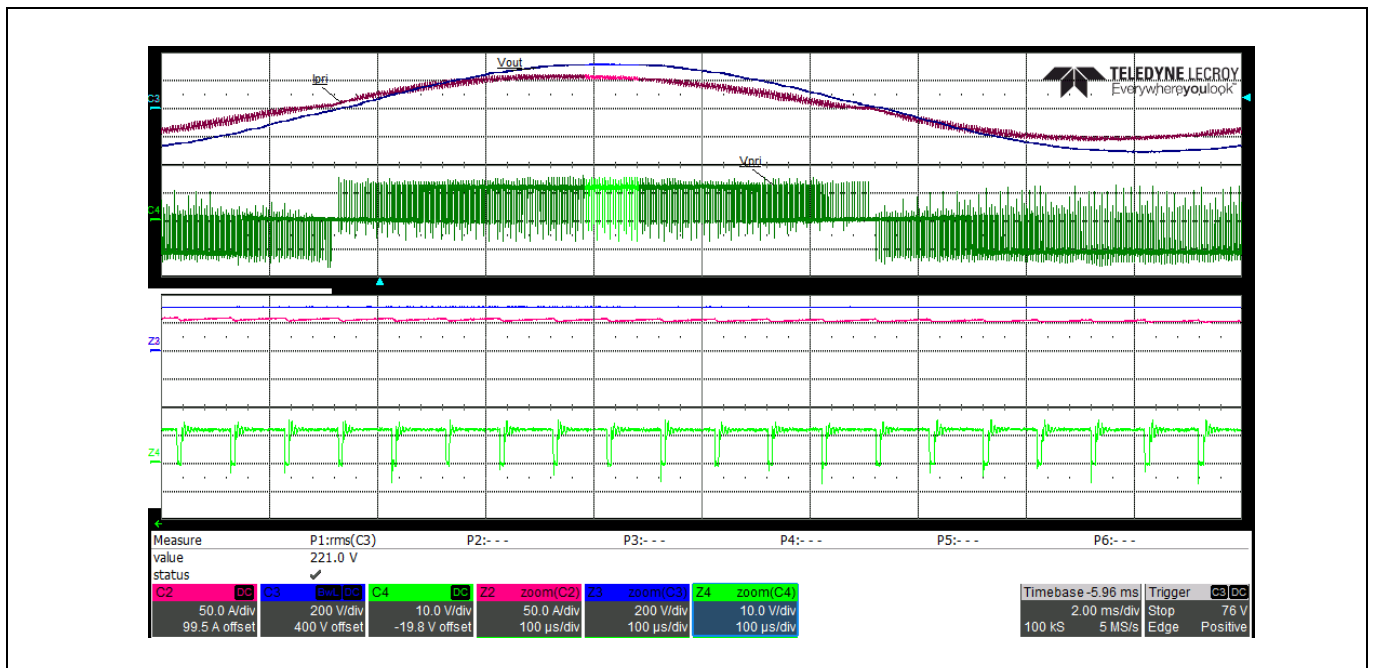
**Figure 45** Low-side switch-off waveforms at 672 W resistive load  
 $V_{gs\_Q7}$  (yellow),  $V_{ds\_Q7}$  (green)



### 9.1.1.4 Primary voltage and current waveforms

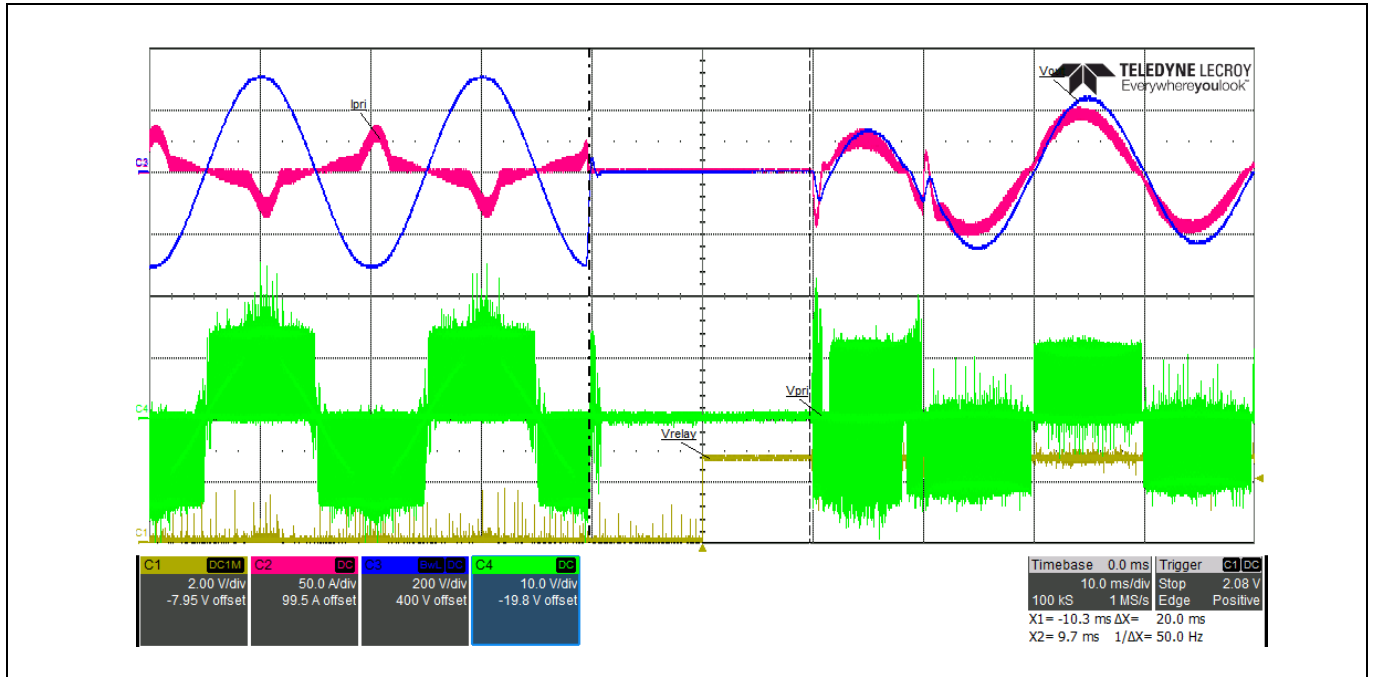


**Figure 46** Primary current waveform at 672 W resistive load  
 $V_{gs\_Q7}$  (yellow),  $I_{pri}$  (red),  $V_{ds\_Q7}$  (green)



**Figure 47** Primary voltage waveform at 263 W resistive load  
 $V_{gs\_Q7}$  (yellow),  $I_{pri}$  (red),  $V_{ds\_Q7}$  (green)

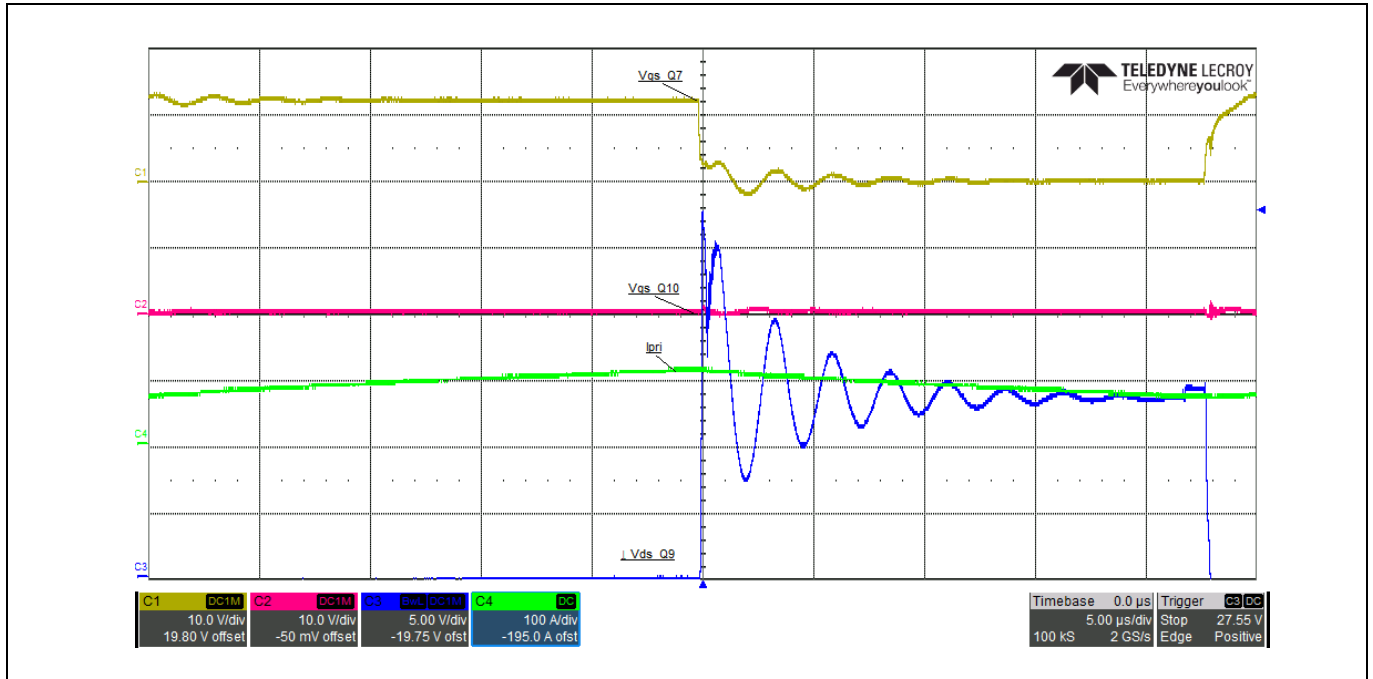
9.1.1.5 Switching from charging to back-up mode



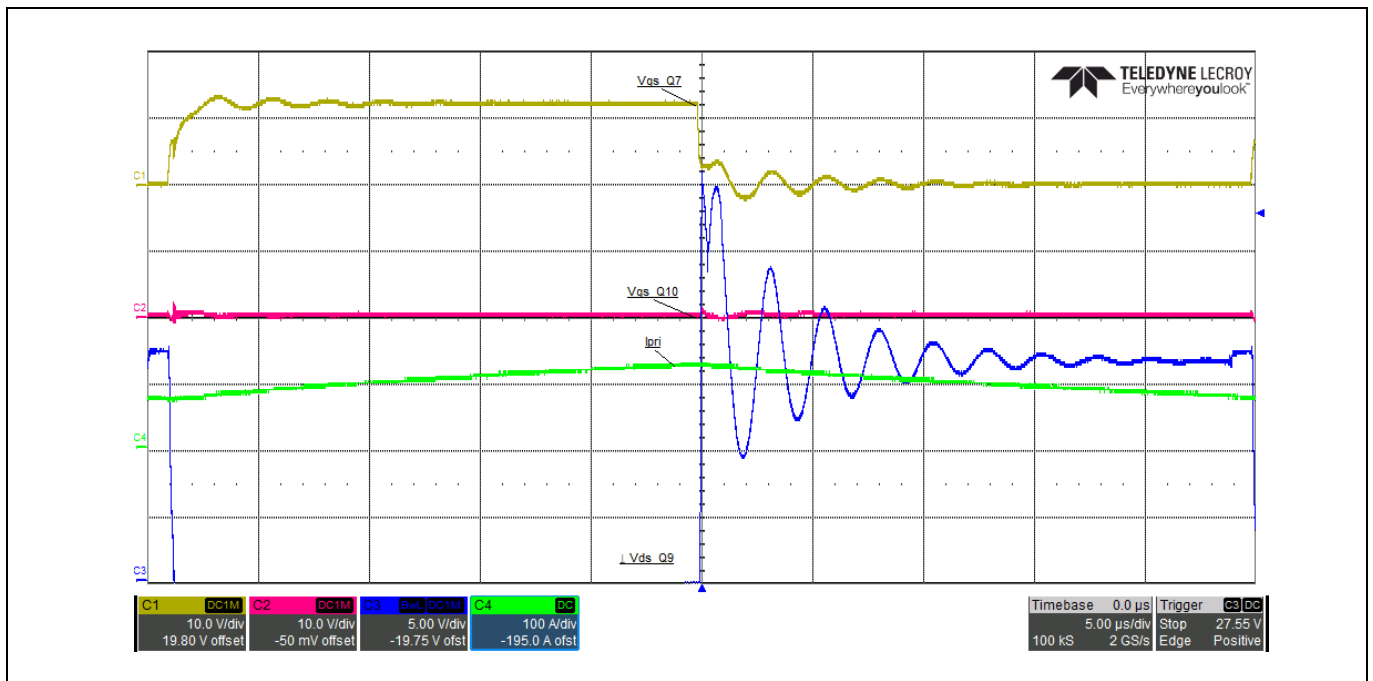
**Figure 48** Switching to back-up mode when AC power fails at 263 W resistive load  
 $V_{relay}$  (yellow),  $V_{OUT}$  (blue),  $I_{pri}$  (red),  $V_{pri}$  (green)

The drop-out time is measured at 20 ms. This is the time taken for the firmware to detect an AC input power failure and energize the relay. A delay of 10 ms is included to allow the contacts to fully open before starting up the inverter.

### 9.1.1.6 Drain voltage transients under heavy load



**Figure 49** Q7 drain voltage transient at battery voltage of 12 V at 600 W load  
 $V_{gs\_Q7}$  (yellow),  $V_{gs\_Q10}$  (red),  $V_{ds\_Q7}$  (blue),  $V_{pri}$  (green)



**Figure 50** Q7 drain voltage transient at battery voltage of 15 V at 600 W load  
 $V_{gs\_Q7}$  (yellow),  $V_{gs\_Q10}$  (red),  $V_{ds\_Q7}$  (blue),  $V_{pri}$  (green)

The drain voltage transients reach 30 V with a battery voltage of 15 V. For this reason 40 V MOSFETs are recommended for 12 V battery UPS systems since 30 V devices could avalanche under some operating conditions.

### 9.1.1.7 Output voltage sensing

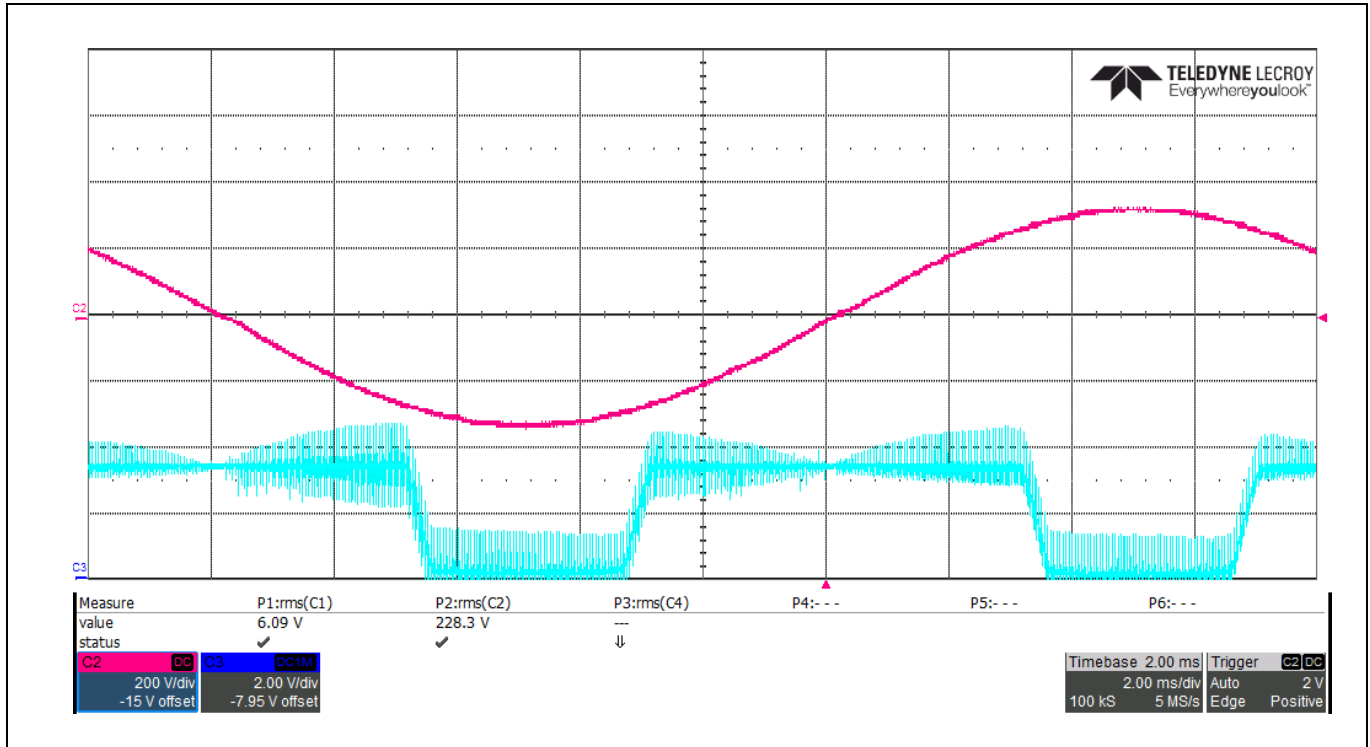
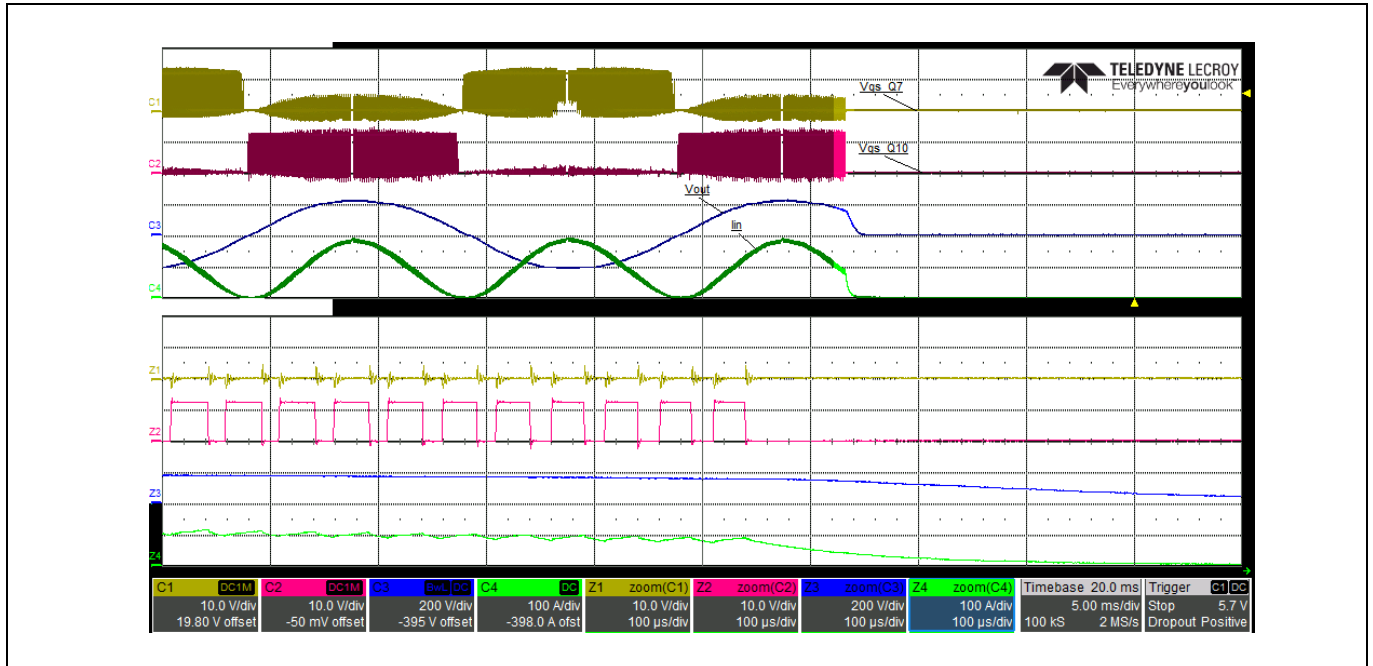
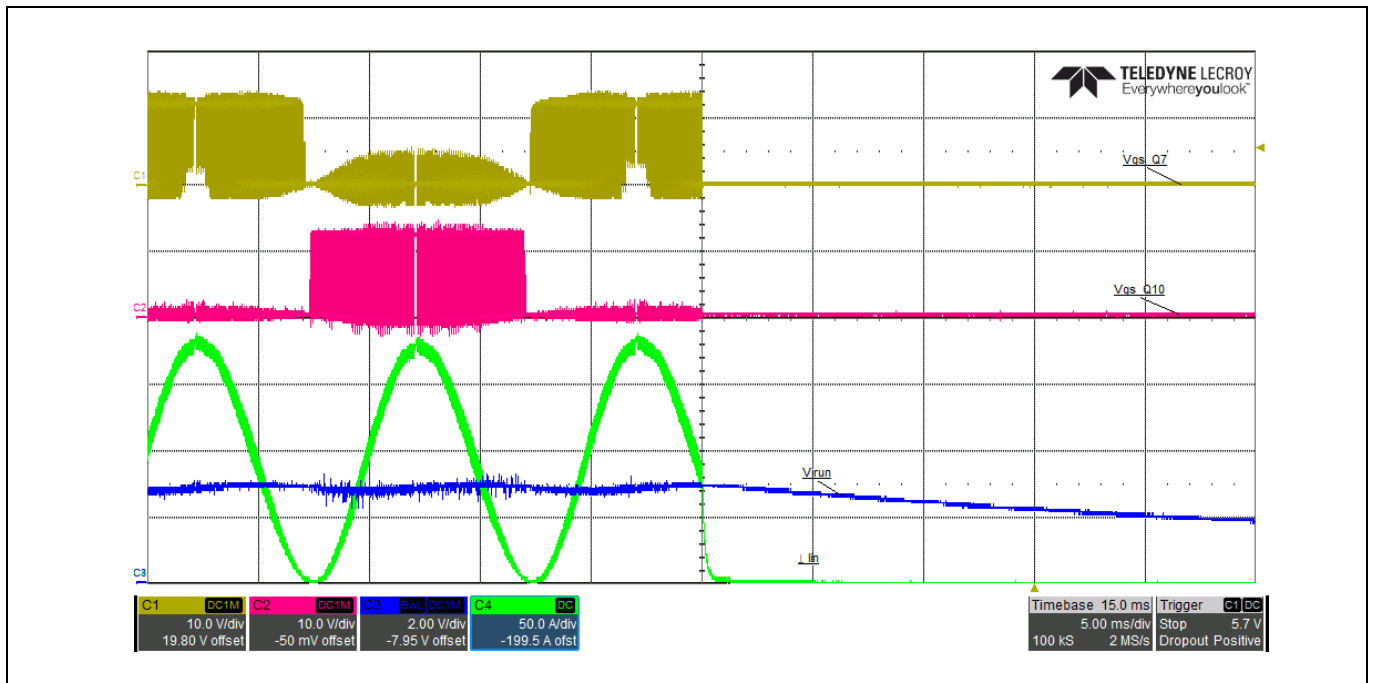


Figure 51 Output voltage sensing  
 $V_{OUT}$  (red),  $V_{OFB}$  (blue)

### 9.1.1.8 Over-load shut-down



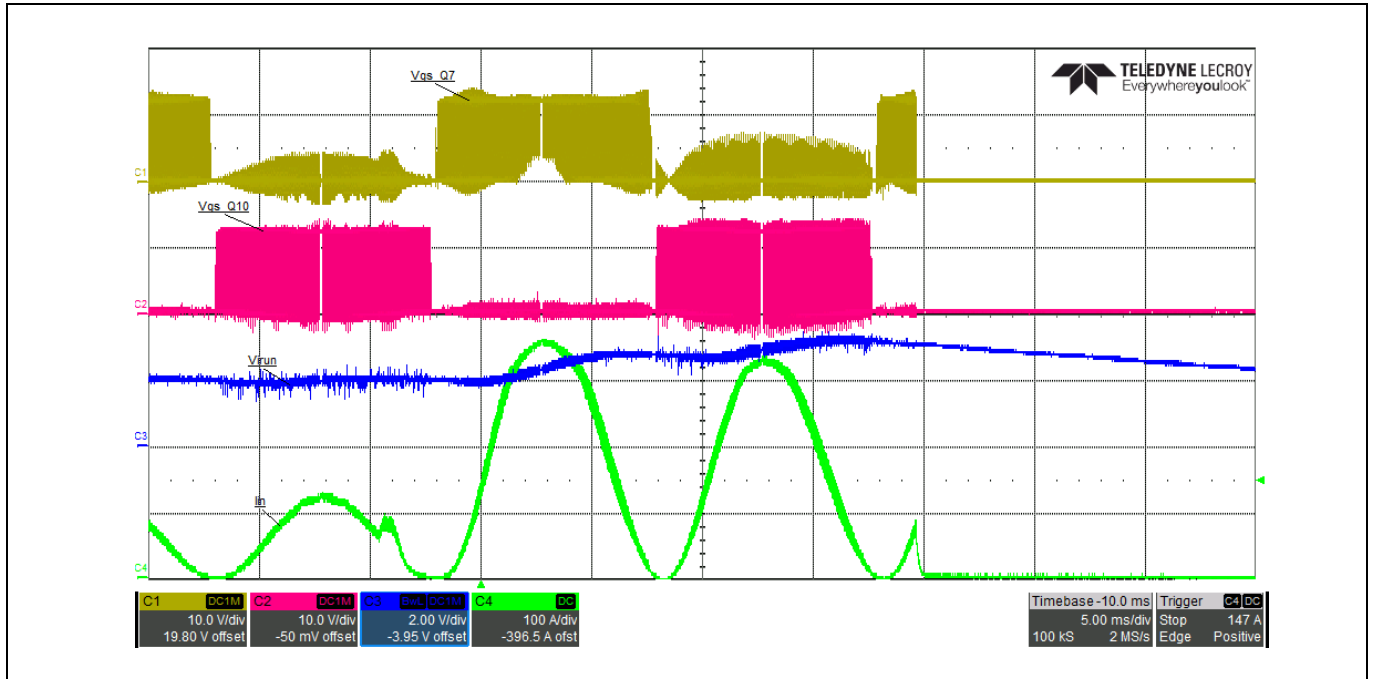
**Figure 52 Over-load shut-down**  
 $V_{gs\_Q7}$  (yellow),  $V_{gs\_Q10}$ ,  $V_{OUT}$  (blue),  $I_{IN}$  (green)



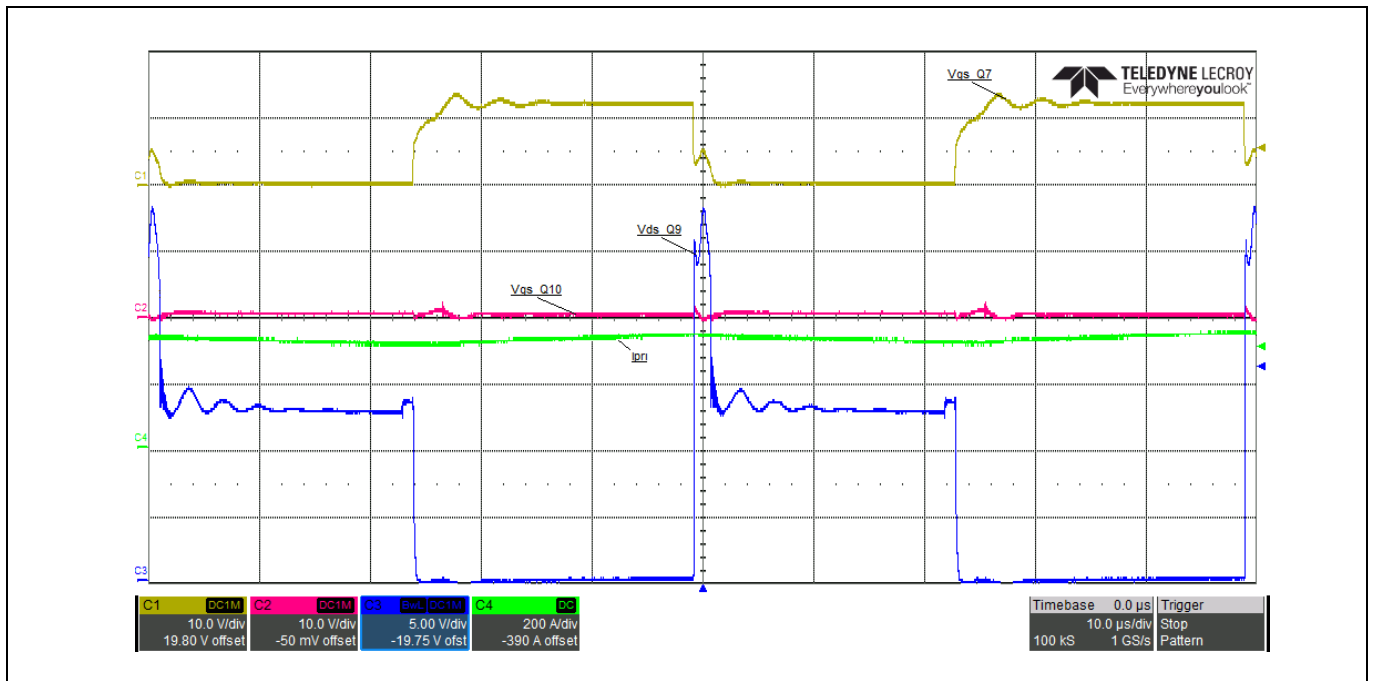
**Figure 53 Over-load shut-down showing  $I_{run}$  input to U2**  
 $V_{gs\_Q7}$  (yellow),  $I_{pri}$  (red),  $V_{irun}$  (blue),  $V_{pri}$  (green)

Shut-down occurs when the input current reaches a preset threshold. This threshold may be adjusted in the firmware as needed.

### 9.1.1.9 Short-circuit output shut-down



**Figure 54 Short-circuit shut-down showing  $I_{run}$  input to U2  $V_{gs\_Q7}$  (yellow),  $V_{gs\_Q10}$  (red),  $V_{run}$  (blue),  $I_{in}$  (green)**



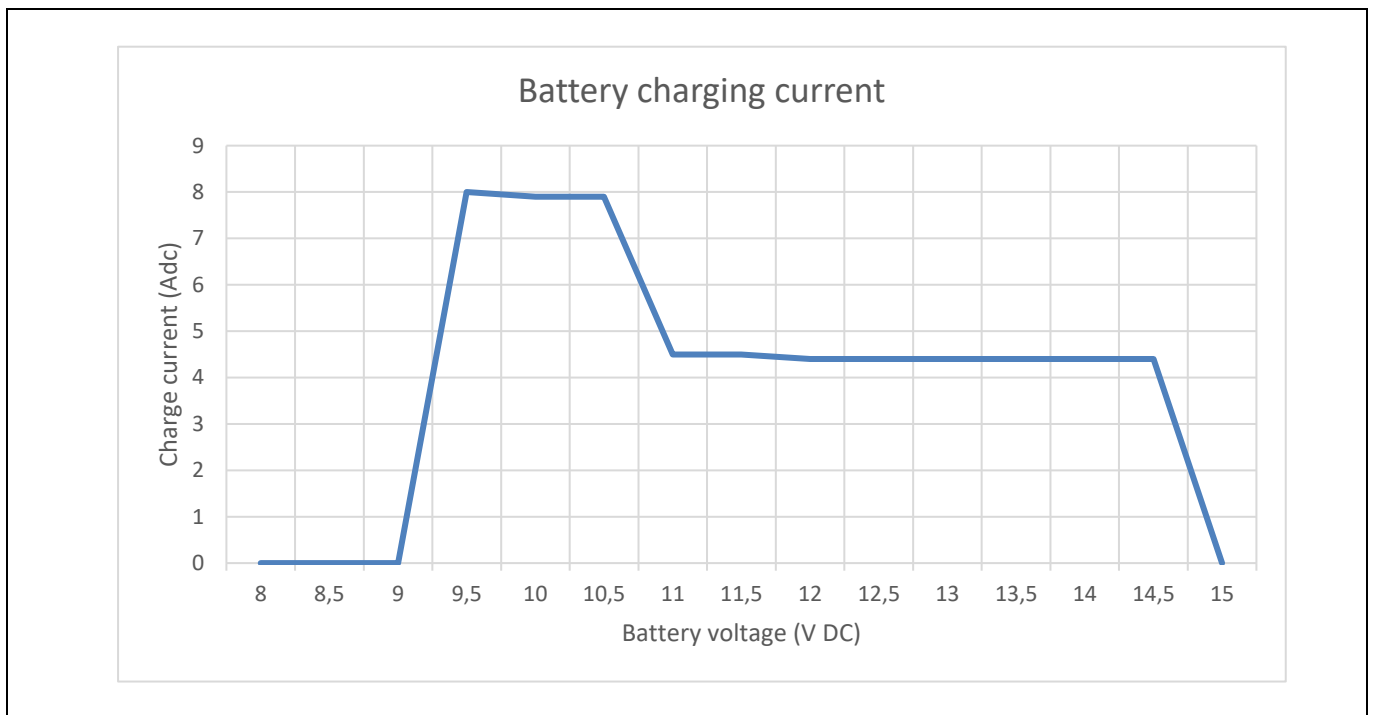
**Figure 55 Short-circuit shut-down showing Q7 drain voltage transient at battery voltage of 12 V  $V_{gs\_Q7}$  (yellow),  $V_{gs\_Q10}$ ,  $V_{ds\_Q7}$  (blue),  $I_{pri}$  (green)**

Shut-down of the inverter occurs after a delay of approximately 25 ms after a short-circuit is applied to the output. This delay may be up to 50 ms due to the delay in the current amplifier circuit shown in [Figure 16](#) around operational amplifier U1B. The MOSFETs are able to withstand the high current for this period.

## 9.2 Charging mode

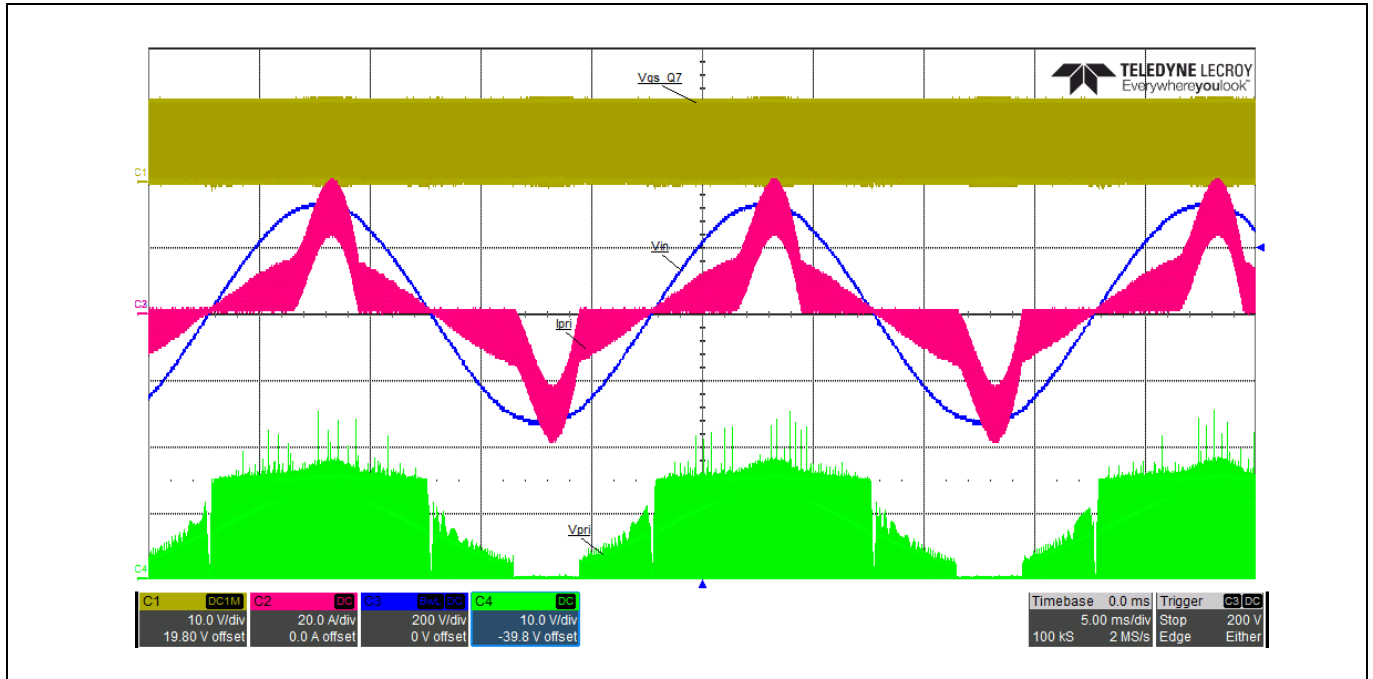
**Table 1** Battery charging profile

$V_{BATT}$ (V DC)	$I_{CHARGE}$ (A DC)
9	52.5
10	55.7
11	59.1
12	62.2
13	65.3
14	64.0
15	59.7

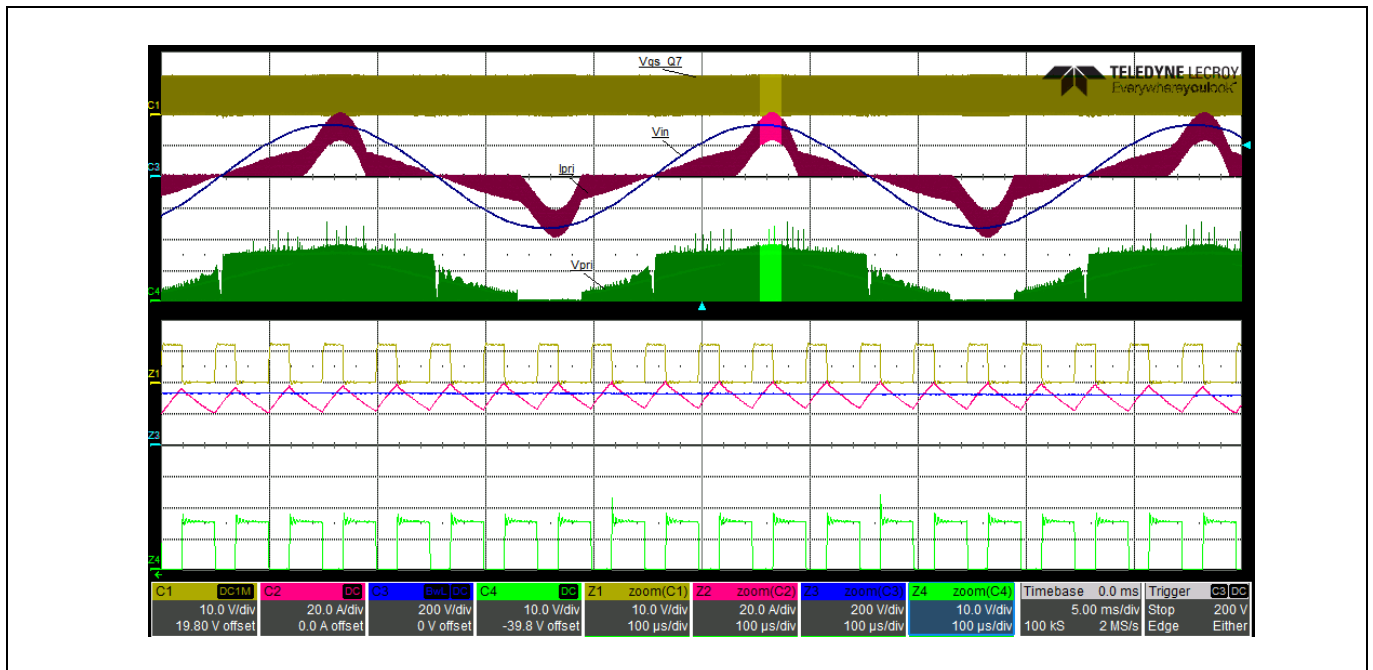


**Figure 56** Battery charge current vs. terminal voltage

### 9.2.1 Operating waveforms



**Figure 57** Battery charging operation (relay contacts closed)  
 $V_{gs\_Q7}^1$  (yellow),  $I_{pri}$  (red),  $V_{IN/OUT}$  (blue),  $V_{pri}$  (green)



**Figure 58** Battery charging operation (relay contacts closed)  
 $V_{gs\_Q7}^2$  (yellow),  $I_{pri}$  (red),  $V_{IN/OUT}$  (blue),  $V_{pri}$  (green)

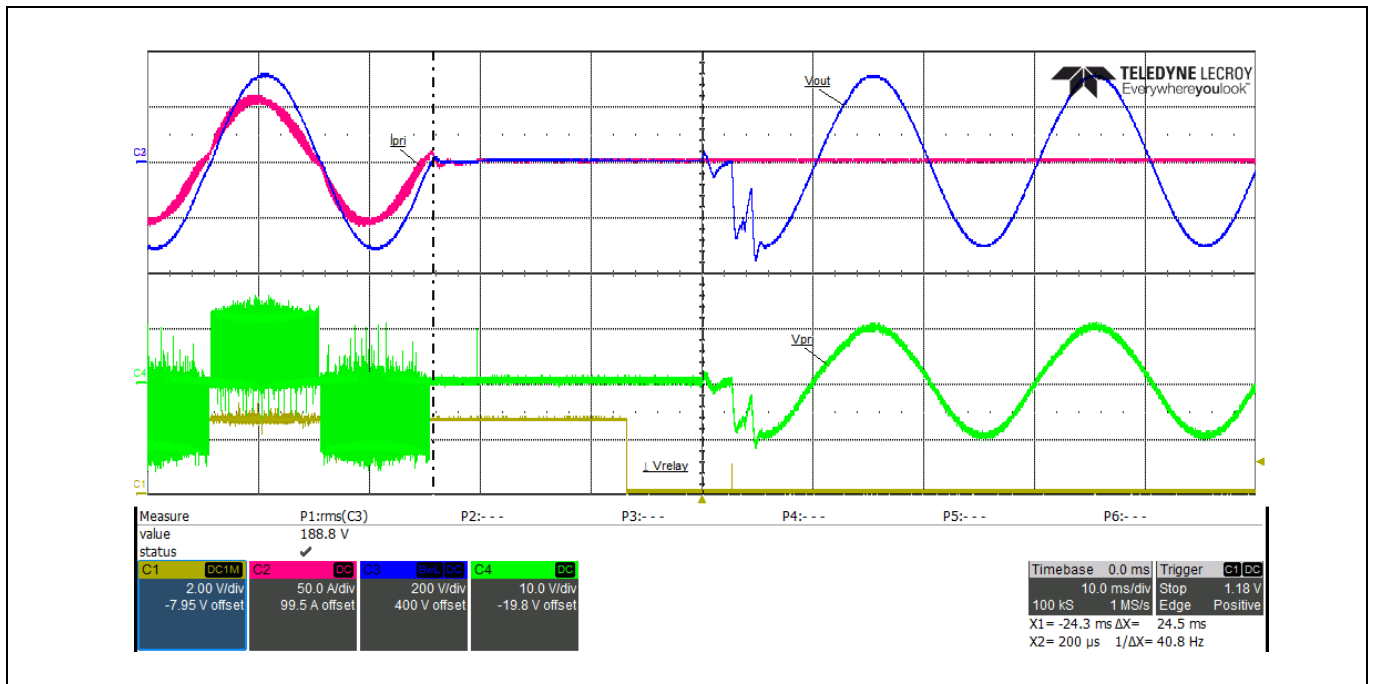
<sup>1</sup>  $V_{gs}$  for Q10 is identical to  $V_{gs}$  for Q7 during charging. All high-side MOSFETs (Q1 to Q6) remain off.



## Application note

### Test results

The previous figure shows the boost operation during charging where the transformer current indicates continuous conduction mode.



**Figure 59 Switching back to AC-line when power is restored at 263 W resistive load**  
 $V_{gs\_Q7}$  (yellow),  $I_{pri}$  (red),  $V_{IN/OUT}$  (blue),  $V_{pri}$  (green)

The firmware includes a routine which allows the inverter to switch off only at a zero crossing. This is to avoid leaving residual flux in the transformer, which could result in a high current surge when AC power is reconnected. This could occur if additional flux were to be applied in the same polarity.

There is an additional routine designed to allow the relay contacts to close at a point close to the AC zero crossing. This involves measuring the AC half-cycle time and then allowing a defined time for the relay contacts to make contact after the coil is energized. Again, the purpose is to avoid high current surges when the relay contacts close, which is intended to minimize degradation of the relay contacts and avoid unnecessary stress on the MOSFETs.

### 9.3 Thermal performance (back-up mode)

The following results were obtained with no forced air cooling:

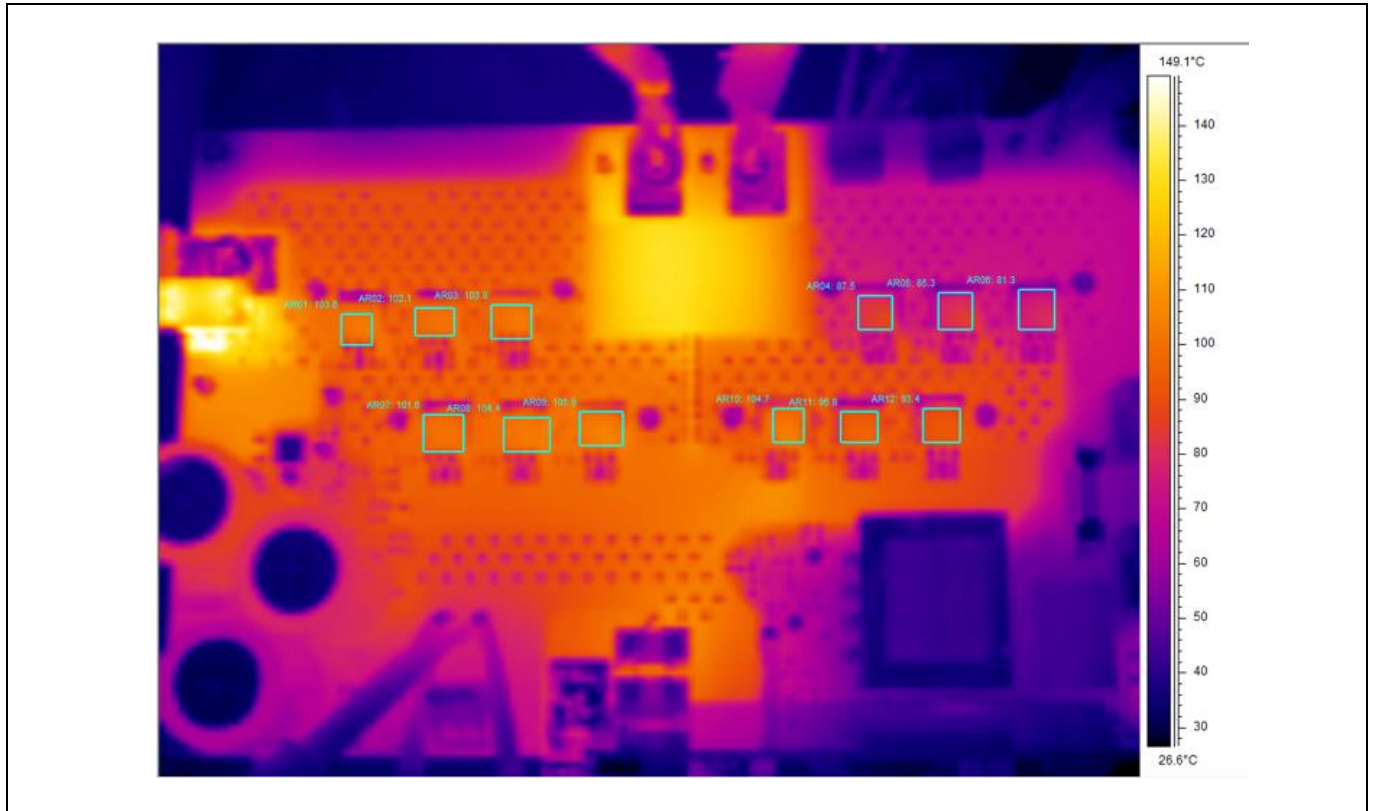


Figure 60 Top-side thermal image after 30 minutes of operation at 13 V input and 530 W

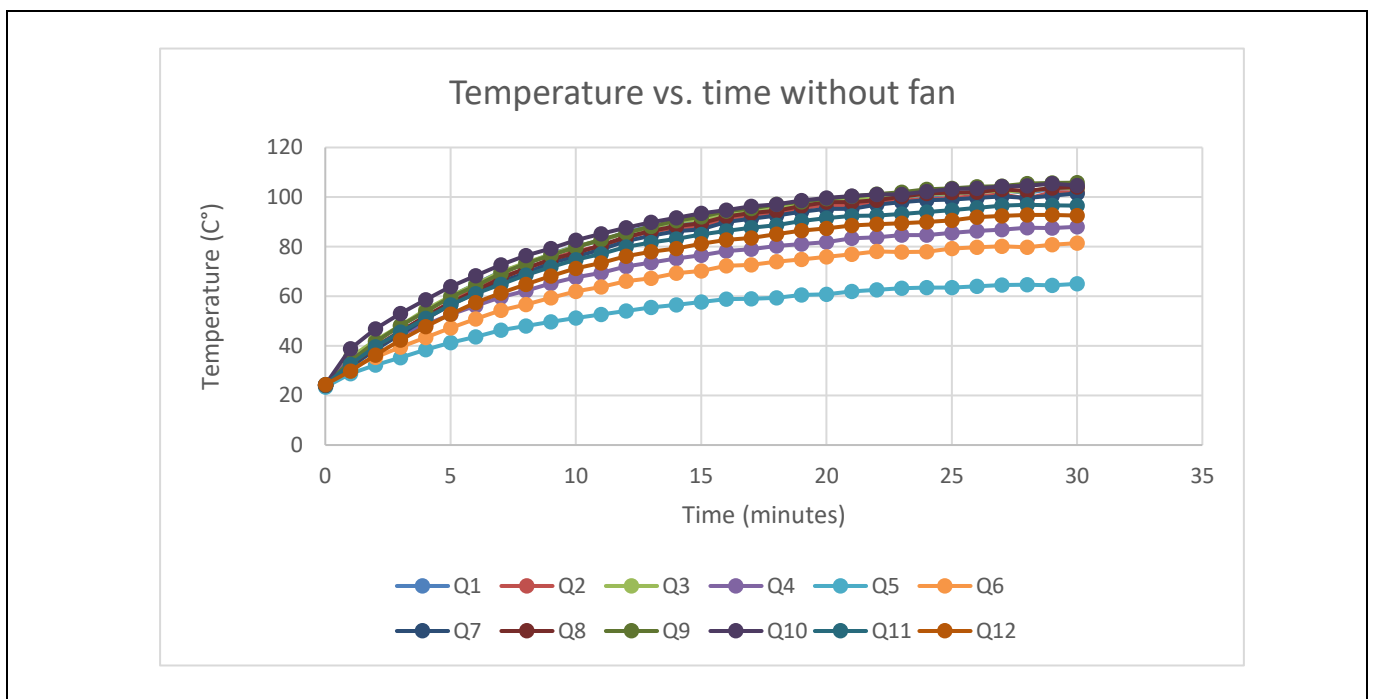
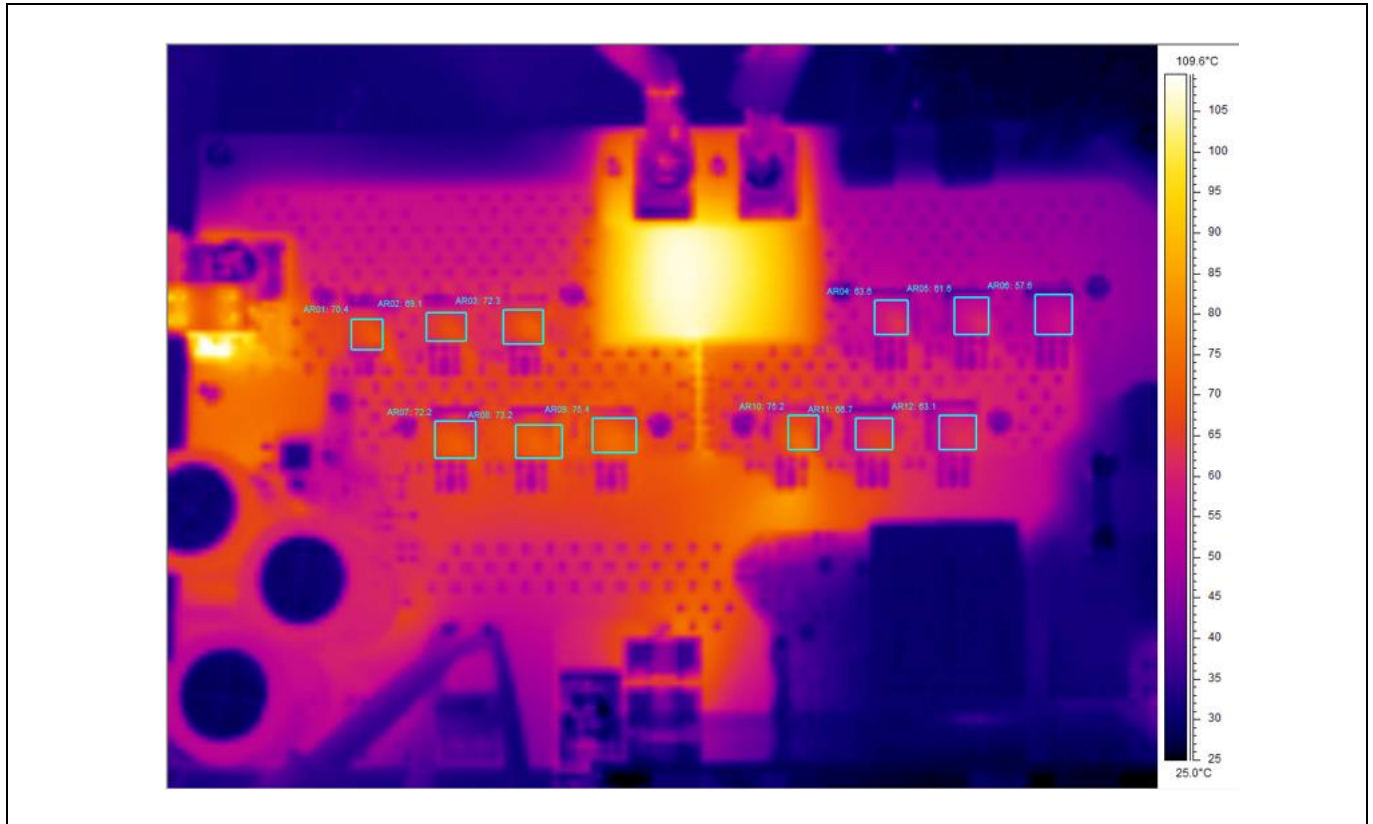
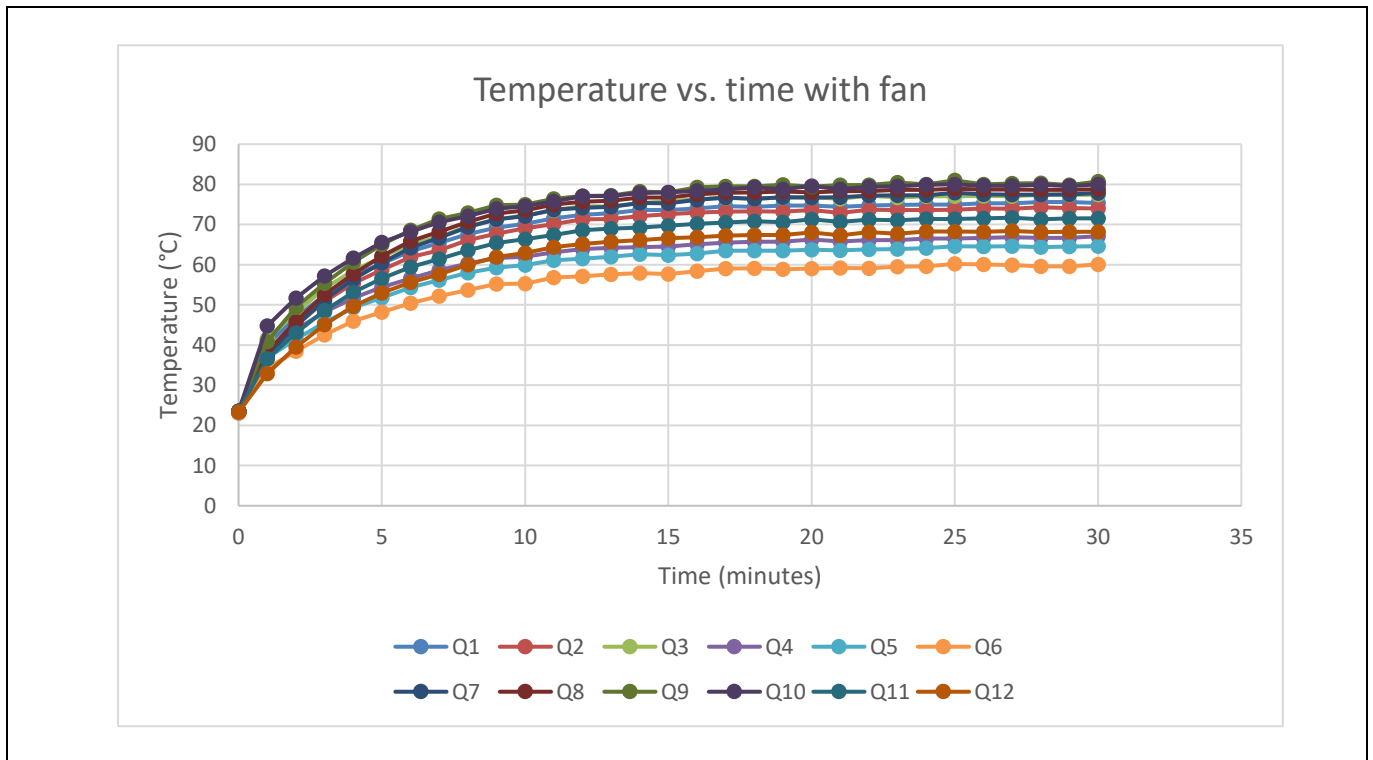


Figure 61 Top-side temperature profile at 13 V input and 530 W

The following results were obtained with forced air cooling at 300 ft./minute directed down onto the board:



**Figure 62** Top-side thermal image after 30 minutes of operation at 13 V input and 600 W



**Figure 63** Top-side temperature profile at 13 V input and 600 W

## 10 Conclusion

The results demonstrate the functionality of the UPS demonstration board under all operating conditions. The output waveform is close to a pure sine wave under all load conditions. Conversion efficiency drops at higher loads mainly due to high conduction losses in the transformer, battery cables, and PCB traces. This demonstrates why UPS systems rated at above around 600 W generally use 24 V batteries rather than 12 V. Modification of the DEMO\_850W\_12VDC\_230VAC demonstration board for operation with a 24 V battery can be performed by replacing the MOSFETs with devices rated for higher  $BV_{DSS}$  in the same package and also replacing the transformer with one having twice the number of turns on the primary winding using a smaller wire size. A small number of component value changes as well as adjustment of some of the firmware parameters defined in the UPS.h header file would also be necessary.

Additional power losses arise due to the hard-switching operation of the inverter. Switch-off losses are typically much higher than switch-on losses in this type of UPS because the switch-off time is deliberately not designed to be very fast to reduce  $di/dt$  and thereby limit drain transient voltage peaks. This is especially relevant under a short-circuit condition where the primary current is very high for a short time until the inverter shuts down. Test waveforms indicate that the switch-off transient voltage may exceed 30 V at high battery voltage but that it remains well under 40 V. It should be noted that the gate-drive circuitry could be modified to provide faster turn-off, which would reduce switch-off loss and improve efficiency. However, by doing this the switch-off transient voltage would increase. It is also evident that 30 V MOSFETs could be used provided the designer pays particular attention to ensuring that the switch-off transient remains below this level, which can be achieved by limiting the switch-off time and thus the  $di/dt$ .

The full functionality of the offline UPS system has been demonstrated with a low-cost XMC™ M0 core-based microcontroller. This includes generation of all gate-drive signals, monitoring of input and output voltages, regulation of the output voltage and charging current, and safe transition between charging and back-up modes of operation with approximately 20 ms drop-out time. This could be reduced to around 10 ms; however, the firmware includes functionality to ensure the relay contacts remain close to an AC zero-crossing, which introduces up to one half-cycle of delay.

A heatsinking arrangement has been implemented, which utilizes four individual heatsinks mounted on the underside of the PCB where the paralleled bridge D<sup>2</sup>PAK MOSFETs are mounted on the top side. Vias are used to transfer the heat from the drains to the heatsinks, which are mounted directly to exposed metal areas on the underside of the PCB without the need for any insulators. The thermal images indicate that without forced air cooling using this heatsinking arrangement the case temperature of the hottest MOSFETs exceed 100°C after 30 minutes of operation in open air at 530 W load; however, with forced air cooling the device temperatures stabilize at around 80°C. This indicates that forced air cooling would be required for a UPS based on this topology and rated for power levels above 500 W. The temperature rise would be greater with the electronics housed within an enclosure if the UPS were designed to operate continuously at full load. In a design using a 24 V battery the primary-side currents would be approximately halved, which could reduce conduction losses in the MOSFETs, PCB traces, and transformer.

Protection functions have also been demonstrated. It is noted that the short-circuit protection includes a delay in the range of tens of milliseconds. Since the current passing through the MOSFETs is limited by the transformer, the average drain current passing through each device does not exceed the maximum continuous  $I_D$  rating, which for these LV devices is package limited at 120 A. This delay is therefore acceptable and also desirable in preventing false triggering of the protection, which could otherwise occur due to inrush current or sudden increase in load.

## 11 Appendix

### 11.1 Firmware listings

The main sections of code specific to the firmware for this demo board are shown here. This does not include code generated by the DAVE™ configuration tool for the configuration of the peripherals.

#### Code Listing 1 UPS.h

```
// DEMO_850W_12VDC_230VAC firmware - for Rev E main board and Rev C daughter card only!
// Peter Green - Infineon Technologies (c) 2022
// Rev 1.0 - August 4, 2022

// Other include files used in the project
#include<DAVE.h>
#include<UPS_Functions.h>

// Firmware switches

// #define      DEBUGMODE      // Enable debug mode using the CHARGE LED output as a debug output pin
#define      PWMEN            // Enable PWM gate drives
#define      RELEN            // Enable relay
#define      INVEN            // Enable inverter operation
#define      CHGEN            // Enable charger operation
#define      WAITZC           // Enable inverter switch off at zero crossing
// #define      FORCERUN       // Force run mode inverter operation (for debugging)
// #define      FORCECHG        // Force charge mode inverter operation (for debugging)
#define      ACCHECK          // Enable AC line voltage check
#define      BATCHECK         // Enable battery voltage check during startup (shut down if battery voltage out
of range)
// #define      BATOK          // Enable battery voltage check during backup mode
#define      OPADJUST// Enable adjustment of PWM duty cycle to regulate output
#define      BUZZER           // Enable buzzer during AC line fail
#define      OVERCRNTEN       // Enable over current protection
#define      OVERLOADEN       // Enable overload protection
// #define      OVINDICATE     // Over voltage indicator through green LED

// Pin definitions

#define      PWM1_LO          P0_7
#define      PWM2_LO          P0_8
#define      PWM1_HI          P0_6
#define      PWM2_HI          P0_9

// Constant definitions
#define      OFF              0
#define      ON               1
#define      CLEAR            0
#define      SET              1
#define      FALSE           0
#define      TRUE            1
#define      BAD              0
#define      GOOD            1
#define      _60Hz           0
#define      _50Hz           1
#define      NEG              0
#define      POS              1
#define      CHARGE           1
#define      BACKUP           0

// States
#define      STARTUP          1
#define      MONITOR          2
#define      CHARGING3        4
#define      RUNNING          4
#define      FAULT            10
```



#### Code Listing 1 UPS.h

```

// System parameters
#define ADCBITS          12           // Bits for ADC
#define ADCMAX           ((1<<ADCBITS)-1) // Maximum ADC result
#define SAMPLES         16           // Number of samples for ADC input digital filtering
#define TIMER_1ms       1000         // One millisecond in microseconds
#define TIMER_100ms     100000      // One tenth of a second in microseconds
#define SSDELAY         10           // Set soft start timing delay in milliseconds
#define FAILTIMEOUT     3            // Timeout for AC input fail detection
#define PWMMIN          0            // Minimum PWM output duty cycle
#define PWMMAXCH5000    // Maximum PWM output duty cycle during charging - 10000
corresponds to 100%
#define SLICE_50Hz      100          // 100th of a 50Hz half cycle period in microseconds
#define SLICE_60Hz      83           // 100th of a 60Hz half cycle period in microseconds
#define HC_50Hz         10           // One half cycle at 50Hz to the nearest millisecond
#define HC_60Hz         8            // One half cycle at 60Hz in the nearest millisecond
#define M_INITIAL       80           // Default modulation index value
#define M_MAX           100          // Maximum modulation index value
#define M_DELTA         5            // How much is modulation adjusted by battery level
#define VOUT_MAX33      // Value (0 to 100) corresponding to the maximum allowed
output voltage
#define VDD              (float)(3.3) // VDD voltage
#define VDIODE           (float)(0.7) // Diode forward voltage
#define VBATDIVIDER     (float)(0.153) // Battery voltage resistor divider ratio
#define BATDLY          2000         // Time in ms for battery voltage to stabilize before
shutdown

#define VBATOFF          (uint16_t)(10*VBATDIVIDER*ADCMAX/VDD) // Battery charge cut off level (10V)
#define VBATMIN         (uint16_t)(11*VBATDIVIDER*ADCMAX/VDD) // Minimum backup battery voltage limit (11V)
#define VBATWRN        (uint16_t)(11.5*VBATDIVIDER*ADCMAX/VDD) // Low battery warning voltage limit (11.5V)
#define VBATNOM         (uint16_t)(13*VBATDIVIDER*ADCMAX/VDD) // Nominal battery voltage limit (13V)
#define VBATMAX         (uint16_t)(15*VBATDIVIDER*ADCMAX/VDD) // Maximum battery voltage limit (15V)

#define VBATHYS         50           // Battery voltage hysteresis
#define VBATLOCNT       50           // Battery voltage low shutdown delay in 0.1s increments
#define VBATHICNT       10           // Battery voltage high shutdown delay in 0.1s increments
#define IOVERCRNT       3500         // CHARGING Overload current threshold
#define IOVERLOAD       3500         // RUNNING Overload current threshold
#define ICHGSLOW        1465         // Standard charge current
#define ICHGFAST        3000         // High charge current
#define ICHGSD          4000         // Charge current too high or thermal shutdown
#define ICHGTOL         100          // Charge current tolerance
#define TRATIO          (float)(16.6/230) // AC input transformer ratio (small transformer on
board)
#define ACDIVIDER       (float)(0.25) // Rectified AC input voltage divider

#define ACINLOW         180           // AC RMS input voltage low through/backup threshold
#define ACINHYS         20           // AC RMS input through/backup switch over hysteresis
#define ACLOWTH         (uint16_t)((0.707*ACINLOW*TRATIO)-VDIODE)*ACDIVIDER*ADCMAX/VDD
// AC voltage low threshold converted to ADC input
#define ACHYS           (uint16_t)((0.354*ACINHYS*TRATIO)*ACDIVIDER*ADCMAX/VDD)
// AC low threshold hysteresis converted to ADC input
#define ACINFAIL        50           // AC RMS input voltage fail through/backup threshold
#define ACFAILTH        (uint16_t)((0.707*ACINFAIL*TRATIO)-VDIODE)*ACDIVIDER*ADCMAX/VDD
// AC voltage fail threshold converted to ADC input
#define ACINMIN         200          // AC RMS voltage minimum input threshold for charging
#define ACMIN           (uint16_t)((0.707*ACINMIN*TRATIO)-VDIODE)*ACDIVIDER*ADCMAX/VDD
// AC voltage minimum input threshold for charging converted to ADC input
#define ACINMAX         250          // AC RMS voltage maximum input threshold
#define ACMAX           (uint16_t)((0.707*ACINMAX*TRATIO)-VDIODE)*ACDIVIDER*ADCMAX/VDD
// AC voltage maximum input threshold for charging converted to ADC input
#define ACZCV           50           // Voltage threshold for ZX detection
#define ACZCTH          (uint16_t)((ACZCV*TRATIO)-VDIODE)*ACDIVIDER*ADCMAX/VDD
// AC line input close to the zero crossing threshold
#define BEEPTIME        3            // Set fault mode beep time in 100ms intervals
#define RESTART         10           // Restart delay in tenths of a second
#define STARTDLY        10           // Start delay if battery voltage OK in tenths of a second
#define RELSMDLY        7            // Time delay for relay contacts to close in ms
#define RELDLY          15           // Delay in ms to allow for relay contacts to switch over
#define CHGDLY          250          // Delay in ms for charger startup after AC power restored

```

#### Code Listing 1    UPS.h

```

#define OTDLY          20      // Delay in tenths of a second for thermal shutdown
#define BEEPON         2      // Beep on time in tenths of a second
#define BEEPOFF        8      // Beep off time in tenths of a second

// Variable definitions
uint8_t State, NextState, ACslice, VACsample, VACcounter, Vbatsample, PWMcounter, Mindex, BeepTimer,
RestartTimer,
SSTimer, V0counter, Vout, HCcounter, HCtimer, HCperiod, FailCounter, Thermal, StartTimer, BVhi_count, BVlo_count,
Skip;
int8_t Moffset;
uint16_t VACin[SAMPLES], VACmax, VACmin, Vbatin[SAMPLES], Vbatsum, Vbat, Vbat_debug, Ichg, Irun, PWMvalue,
Counter_1ms, ACdelay;
int16_t Voffset;
uint32_t TimerId_1ms, TimerId_100ms, TimerId_Segment, temp;
bool AC_Hz, Starting, Tstatus, PWMstatus, PWMconfig, Timeout_1ms, Timeout_100ms, Polarity, Mode, SoftStart,
ACfail, BatOK, BatWarn,
ACzc, HCupdate, Overload, Overcurrent, Shutdown, StopPWMreq, StopPWM, Beep;

uint16_t Temp1, Temp2, Temp3, Temp4, Temp5, Temp6, Temp7, Temp8, Temp9, Temp10;

float testvar;

// Lookup table for sine values
static const uint8_t Sinevalues[101] =
{
    0,3,6,9,12,15,18,21,24,27,30,33,36,39,42,45,48,50,53,56,           // Values 0 to 19
    58,61,63,66,68,70,72,75,77,79,80,82,84,86,87,89,90,91,92,94,     // Values 20 to 39
    95,96,96,97,98,98,99,99,99,99,100,99,99,99,99,98,98,97,96,96,    // Values 40 to 59
    95,94,92,91,90,89,87,86,84,82,80,79,77,75,72,70,68,66,63,61,    // Values 60 to 79
    58,56,53,50,48,45,42,39,36,33,30,27,24,21,18,15,12,9,6,3,0     // Values 80 to 100
};

```

#### Code Listing 2 UPS\_Functions.h

```
// DEMO_850W_12VDC_230VAC firmware - for Rev E main board and Rev C daughter card only!
// Peter Green - Infineon Technologies (c) 2022
// Rev 1.0 - August 4, 2022

// Header file for UPS Functions

void ADC_update(void);
void Timer_1ms(void);
void GetVACminmax();
void Timer_100ms(void);
void Delay_ms(uint16_t);
uint16_t GetFrequency (void);
void UpdatePWM(void);
bool BatteryStatus(void);
bool ACinputStatus(void);
bool PowerFail(void);
void PWM_Config(bool PWMmode);
void PWM_Startup(void);
```

#### Code Listing 3 UPS\_Functions.c

```
// DEMO_850W_12VDC_230VAC firmware - for Rev E main board and Rev C daughter card only!
// Peter Green - Infineon Technologies (c) 2022
// Rev 1.0 - August 4, 2022

#include <UPS.h>

void ADC_update() // Called every millisecond
{
/*
#ifdef DEBUGMODE
    DIGITAL_IO_SetOutputHigh(&DIGITAL_IO_CHARGELED); // Switch on charge LED
#endif
*/
    // Read the last <SAMPLES> values of the input voltage at 1ms intervals
    // to allow for the low frequency ripple
    VACsample++;
    if (VACsample >= SAMPLES) VACsample = 0;
    VACin[VACsample] = ADC_MEASUREMENT_GetResult(&ADC_MEASUREMENT_AC_LINE);

    if (VACin[VACsample] < ACFAILTH)
    {
        FailCounter++; // Check for AC input fail and increment counter
    }
    else
    {
        FailCounter = 0;
    }

    GetVACminmax(); // Get the peak value (VACmax) from all VAC samples
/*
#ifdef DEBUGMODE
    DIGITAL_IO_SetOutputLow(&DIGITAL_IO_CHARGELED); // Switch off charge LED
#endif
*/

    // If AC input is at lowest value out of all the samples save half cycle time and set zero crossing flag
    if (VACin[VACsample] == VACmin && ACzc == CLEAR)
    {
        HCperiod = HCtimer; // Update AC half cycle time
        HCtimer = 0; // Reset half cycle timer
        Skip = VACsample; // Remove this sample from next minimum value selection
        ACzc = SET; // Set zero crossing flag
    }
/*
#ifdef DEBUGMODE
```



#### Code Listing 3    UPS\_Functions.c

```

DIGITAL_IO_SetOutputHigh(&DIGITAL_IO_CHARGELED);        // Switch on charge LED
#endif
*/
}
else
{
    ACzc = CLEAR;                                            // Clear zero crossing flag next time round
/*
#ifdef DEBUGMODE
DIGITAL_IO_SetOutputLow(&DIGITAL_IO_CHARGELED);        // Switch off charge LED
#endif
*/
}

// Read the last <SAMPLES> values of the battery voltage at 1ms intervals
// for digital noise filtering
Vbatsample++;
if (Vbatsample == SAMPLES)
{
    Vbatsample = 0;
    Vbat = Vbatsum / SAMPLES;                            // Calculate the mean value
    Vbatsum = 0;
}
Vbatin[Vbatsample] = ADC_MEASUREMENT_GetResult(&ADC_MEASUREMENT_VBAT);
Vbatsum = Vbatsum + Vbatin[Vbatsample];

// Read charging current
Ichg = ADC_MEASUREMENT_GetResult(&ADC_MEASUREMENT_ICHG);
// Read running current
Irun = ADC_MEASUREMENT_GetResult(&ADC_MEASUREMENT_IRUN);
}

void GetVACminmax()                                        // Picks out the maximum value from the stored AC input samples
{
    VACmax = 0;
    VACmin = ADCMAX;
    for(VACcounter = 0; VACcounter < SAMPLES; VACcounter++)
    {
        if (VACin[VACcounter] > VACmax) VACmax = VACin[VACcounter];
        if (VACin[VACcounter] < VACmin && VACcounter != Skip) VACmin = VACin[VACcounter];
    }
}

void Timer_1ms()                                         // Executes every 1ms
{
    Timeout_1ms = SET;
    Counter_1ms++;
    HCTimer++;                                            // Increment half cycle timer
    ADC_update();
#ifdef OVERCRNTEN
    if (Ichg > IOVERCRNT)    // Check for over current during charging, shut down after 1ms
    {
        if (Overcurrent == SET)
        {
            State = FAULT;
            Shutdown = TRUE;
            PWM_CCU8_Stop(&PWM_CCU8_PWMOUT1);            // Stop PWM
            PWM_CCU8_Stop(&PWM_CCU8_PWMOUT2);
            __NOP();
        }
        else Overcurrent = SET;
    }
    else Overcurrent = CLEAR;
#endif
#ifdef OVERLOADEN
    if (Irun > IOVERLOAD)    // Check for overload during running, shut down after 1ms
    {
        if (Overload == SET)
        {

```

#### Code Listing 3 UPS\_Functions.c

```

//          State = FAULT;
//          Shutdown = TRUE;
//          PWM_CCU8_Stop(&PWM_CCU8_PWMOUT1);          // Stop PWM
//          PWM_CCU8_Stop(&PWM_CCU8_PWMOUT2);
//          __NOP();
//          }
//          else Overload = SET;
//          }
//          else Overload = CLEAR;
#endif

// Soft start timer
if (SSTimer < SSDELAY) SSTimer++;
else
{
    SSTimer = 0;
    if (SoftStart)
    {
        if (Mindex < M_INITIAL) Mindex++;          // Ramp up to default initial
        value
        start has ramped up
        else SoftStart = CLEAR;          // Clear flag when soft
        }
    }
}

void Timer_100ms()          // Executes every 100ms
{
    Timeout_100ms = SET;          // 100ms flag used in Fault mode
    if (Shutdown == TRUE) return;          // Exit if in fault mode

    if (StartTimer < STARTDLY) StartTimer++;          // Increment start timer
    if (RestartTimer < RESTART) RestartTimer++;          // Increment restart timer
    if (Ichg > ICHGSD) Thermal++;
    else if (Thermal > 0) Thermal--;

    if (!SoftStart && BatOK)
    {
        // Increase modulation index gradually so the output will slowly increase to the maximum limit
        // This will allow output to increase as the battery voltage drops
        if (Mindex < M_MAX) Mindex++;
    }

    // Beeper and charger LED flasher for battery low warning
    if (BatWarn == TRUE)
    {
        if (Beep == TRUE)
        {
            DIGITAL_IO_SetOutputHigh(&DIGITAL_IO_CHARGELED); // Switch on charge LED
#ifdef BUZZER
            PWM_Start(&PWM_BUZZER);          // Activate buzzer
#endif
            BeepTimer--;          // Count down by one
            if (BeepTimer == 0)
            {
                BeepTimer = BEEPOFF;
                Beep = FALSE;
            }
        }
        else
        {
            DIGITAL_IO_SetOutputLow(&DIGITAL_IO_CHARGELED); // Switch off charge LED
            PWM_Stop(&PWM_BUZZER);          // De-activate buzzer

            BeepTimer--;

            // Count down by one
            if (BeepTimer == 0)

```

#### Code Listing 3 UPS\_Functions.c

```

        {
            BeepTimer = BEEPON;
            Beep = TRUE;
        }
    }

    // Check the battery voltage

    if (Vbat < VBATWRN) BatWarn = TRUE; // Battery low warning

    if (Vbat < VBATMIN) BVlo_count++; // Check low battery voltage
    else BVlo_count = 0;
    if (BVlo_count == VBATLOCNT) Shutdown = TRUE;

    if (Vbat > VBATMAX) BVhi_count++; // Check high battery voltage
    else BVhi_count = 0;
    if (BVhi_count == VBATHICNT) Shutdown = TRUE;
}

void Delay_ms(uint16_t MilliSeconds)
{
    Counter_1ms = 0;
    while(Counter_1ms < MilliSeconds);
}

uint16_t GetFrequency()
{
    // Read AC frequency switch and update settings
    if (DIGITAL_IO_GetInput(&DIGITAL_IO_FSELECT) == _50Hz) // Read AC frequency switch
    {
        AC_Hz = _50Hz;
        return SLICE_50Hz;
    }
    else
    {
        AC_Hz = _60Hz;
        return SLICE_60Hz;
    }
}

void UpdatePWM()
{
    // Called every period of 'ACslice' microseconds
    if (Mode == BACKUP) // In backup mode...
    {
        PWMcounter++;
        if (PWMcounter == 101) // End of AC half cycle reached
        {
            // Executed every AC output voltage zero crossing
            PWMcounter = 1; // Reset the counter
            Vout = V0counter; // Update output voltage coded value
            V0counter = 0; // Reset output voltage coded value counter

#ifdef OPADJUST
            // If the output voltage is too high reduce the modulation index
            if (Vout > VOUT_MAX && Mindex > 0) Mindex--;
            // If the output voltage is not too high increase the modulation index
            if (Vout <= VOUT_MAX && Mindex < M_MAX) Mindex++;
#endif

            if (Polarity == POS)
            {
                Polarity = NEG; // Change polarity
                // Set the opposite side - high side on low side off by setting zero duty cycle
                PWM_CCU8_SetDutyCycleSymmetric(&PWM_CCU8_PWMOUT1,
                    XMC_CCU8_SLICE_COMPARE_CHANNEL_1, 0);
            }
            else
            {

```

#### Code Listing 3 UPS\_Functions.c

```

        Polarity = POS;           // Change polarity
        // Set the opposite side - high side on low side off by setting zero duty cycle
        PWM_CCU8_SetDutyCycleSymmetric(&PWM_CCU8_PWMOUT2,
XMC_CCU8_SLICE_COMPARE_CHANNEL_1, 0);
    }
    if (StopPWMreq)
    {
        StopPWM = SET;           // Allow inverter to stop only at a zero crossing
        StopPWMreq = CLEAR;     // Clear the inverter stop request
    }
}

// Executes every period of 'ACslice' microseconds
// Check output voltage opto-isolator state
if (DIGITAL_IO_GetInput(&DIGITAL_IO_OPOV) == CLEAR) VOcounter++;

// Multiply sine table value by modulation factor to get duty cycle
PWMvalue = Sinevalues[PWMcounter] * Mindex;

// Update active PWM output
if (Polarity == POS)
{
    PWMstatus = PWM_CCU8_SetDutyCycleSymmetric(&PWM_CCU8_PWMOUT1,
XMC_CCU8_SLICE_COMPARE_CHANNEL_1, PWMvalue);
}
else
{
    PWMstatus = PWM_CCU8_SetDutyCycleSymmetric(&PWM_CCU8_PWMOUT2,
XMC_CCU8_SLICE_COMPARE_CHANNEL_1, PWMvalue);
}
}
else // In charging mode...
{
    PWMstatus = PWM_CCU8_SetDutyCycleSymmetric(&PWM_CCU8_PWMOUT1, XMC_CCU8_SLICE_COMPARE_CHANNEL_1,
PWMvalue);
    PWMstatus = PWM_CCU8_SetDutyCycleSymmetric(&PWM_CCU8_PWMOUT2, XMC_CCU8_SLICE_COMPARE_CHANNEL_1,
PWMvalue);
}
__NOP();
}

bool BatteryStatus()
{
#ifdef BATCHECK
    if (Vbat > VBATMIN && Vbat < VBATMAX) return GOOD;
    else return BAD;
#else
    return GOOD;
#endif
}

bool ACinputStatus()
{
#ifdef ACCHECK
    if (VACmax > ACMIN && VACmax < ACMAX) return GOOD; // Check AC voltage in range for charging
    else return BAD;
#else
    return GOOD;
#endif
}

void PWM_Config(bool PWMmode)
{
    // Set PWM operating mode for charger or inverter operation
    if (PWMmode == CHARGE)
    {
        /* Set high side gate drives to GPIO output push-pull */
    }
}

```

#### Code Listing 3 UPS\_Functions.c

```

XMC_GPIO_SetMode(PWM1_HI, XMC_GPIO_MODE_OUTPUT_PUSH_PULL);
XMC_GPIO_SetMode(PWM2_HI, XMC_GPIO_MODE_OUTPUT_PUSH_PULL);
/* Set outputs LOW */
XMC_GPIO_SetOutputLow(PWM1_HI);
XMC_GPIO_SetOutputLow(PWM2_HI);
}
else
{
/* Set high side gate drives to CCU8 PWM output, ALT5 */
XMC_GPIO_SetMode(PWM1_HI, XMC_GPIO_MODE_OUTPUT_PUSH_PULL_ALT5);
XMC_GPIO_SetMode(PWM2_HI, XMC_GPIO_MODE_OUTPUT_PUSH_PULL_ALT5);
}
}

void PWM_Startup()
{
// Start both PWM outputs synchronized together
XMC_CCU8_EnableMultipleClocks(CCU80, 15U);

/* Setup Event0 for external start trigger */
XMC_CCU8_SLICE_StartConfig(CCU80_CC82, XMC_CCU8_SLICE_EVENT_0,
XMC_CCU8_SLICE_START_MODE_TIMER_START_CLEAR);
XMC_CCU8_SLICE_StartConfig(CCU80_CC81, XMC_CCU8_SLICE_EVENT_0,
XMC_CCU8_SLICE_START_MODE_TIMER_START_CLEAR);

/* Enable Global Start Control CCU80 */
XMC_SCU_SetCcuTriggerHigh(SCU_GENERAL_CCUCON_GSC80_Msk);

/* Disable external start trigger */
XMC_CCU8_SLICE_StartConfig(CCU80_CC82, XMC_CCU8_SLICE_EVENT_NONE, XMC_CCU8_SLICE_START_MODE_TIMER_START);
XMC_CCU8_SLICE_StartConfig(CCU80_CC81, XMC_CCU8_SLICE_EVENT_NONE, XMC_CCU8_SLICE_START_MODE_TIMER_START);

/* Disable Global Start Control CCU80 */
XMC_SCU_SetCcuTriggerLow(SCU_GENERAL_CCUCON_GSC80_Msk);
}

```

#### Code Listing 4 Main.c

```

/*
 * main.c
 *
 * Created on: 2018 Jul 11 12:01:43
 * Author: pgreen2
 */

// DEMO_850W_12VDC_230VAC firmware - for Rev E main board and Rev C daughter card only!
// Peter Green - Infineon Technologies (c) 2022
// Rev 1.0 - August 4, 2022

#include <DAVE.h> //Declarations from DAVE Code Generation (includes SFR declaration)
#include <UPS.h>

/**
 * @brief main() - Application entry point
 *
 * <b>Details of function</b><br>
 * This routine is the application entry point. It is invoked by the device startup code. It is responsible for
 * invoking the APP initialization dispatcher routine - DAVE_Init() and hosting the place-holder for user
 * application
 * code.
 */

int main(void)
{
DAVE_STATUS_t status;

```

#### Code Listing 4 Main.c

```

status = DAVE_Init();          /* Initialization of DAVE APPs */

if(status != DAVE_STATUS_SUCCESS)
{
    /* Placeholder for error handler code. The while loop below can be replaced with an user error handler. */
    XMC_DEBUG("DAVE APPs initialization failed\n");

    while(1U)
    {

    }
}

// Initialize for UPS operation
/* IMPORTANT! */
DIGITAL_IO_SetOutputHigh(&DIGITAL_IO_RELAY);
// Energize relay to disconnect AC output from input open contacts

// Define repeated timer function calls
TimerId_1ms = SYSTIMER_CreateTimer(TIMER_1ms, SYSTIMER_MODE_PERIODIC, (void*) Timer_1ms, NULL);
// Set up 1ms timer
TimerId_100ms = SYSTIMER_CreateTimer(TIMER_100ms, SYSTIMER_MODE_PERIODIC, (void*) Timer_100ms, NULL);
// Set up 100ms timer

// Initialize operating modes and variables
VACsample = 0;
Vbatsample = 0;
HCperiod = HC_50Hz;
Polarity = POS;
Mode = CHARGING;
RestartTimer = 0;
FailCounter = 0;
Beep = TRUE;
BeepTimer = BEEPON;
Vbat = 0;
Irun = 0;
Ichg = 0;
BatOK = TRUE;
BatWarn = FALSE;
ACzc = CLEAR;

State = STARTUP;

SYSTIMER_StartTimer(TimerId_1ms);    // Start 1ms timer
SYSTIMER_StartTimer(TimerId_100ms); // Start 100ms timer

#ifdef TESTMODE
State = TEST;
#endif

/* DEBUG */

temp = VBATOFF;
Temp1 = ACFAILTH;

testvar = VBATDIVIDER;

/* Placeholder for user application code. The while loop below can be replaced with user application code. */
while(1U)
{

    switch(State)
    {
    case STARTUP:
        Starting = SET;          // Set starting flag at initial power on or recovery from fault
        ACfail = CLEAR;         // Default setting
        Overcurrent = CLEAR;    // Clear over current flag
    }
}

```

#### Code Listing 4 Main.c

```

Overload = CLEAR;           // Clear overload flag
StopPWMreq = CLEAR;        // Clear stop PWM request flag
StopPWM = CLEAR;           // Clear stop PWM execute flag
ACslice = GetFrequency();   // Check AC frequency setting

__NOP();

// Set 100 interval per half cycle timer
TIMER_Stop(&TIMER_SEGMENT);
Tstatus = TIMER_SetTimeInterval(&TIMER_SEGMENT, ACslice * 100);
if (Tstatus == TIMER_STATUS_SUCCESS)
{
    TIMER_Start(&TIMER_SEGMENT);
}

#ifdef FORCECHG
    RestartTimer = RESTART;
#endif

Delay_ms(10);               // Allow time for reading analog inputs
__NOP();
__NOP();
__NOP();
// HCperiod = GetLineFrequency(); // Detect the AC input half cycle time

#ifdef BATCHECK
    Delay_ms(BATDLY);        // Delay in ms to allow input capacitors to charge
    if (BatteryStatus() == GOOD) State = MONITOR;
// Check battery voltage is in range
else State = FAULT;         // If not go immediately to fault mode
#else
    State = MONITOR;
#endif

BatWarn = FALSE;           // Clear low battery flag
Shutdown = FALSE;          // Clear shutdown flag
SoftStart = SET;           // Enable soft start
BVhi_count = 0;            // Reset battery voltage high counter
BVlo_count = 0;            // Reset battery voltage low counter
Mindex = 0;                // Initialize modulation index to zero for soft start

break;

/*
----- NEXT STATE -----
*/
case MONITOR:
    if (Thermal < OTDLY)    // Proceed only if over temperature condition is not present
    {
        __NOP();           // Check AC input voltage level

        if (VACmax < ACLOWTH - ACHYS || FailCounter == FAILTIMEOUT) ACfail = TRUE;
        // Set fail flag if AC voltage input is tool low
        else if (VACmax > ACLOWTH + ACHYS) ACfail = FALSE;
        // Clear fail flag if AC voltage is restored

        if (ACfail == TRUE) NextState = RUNNING;
        // If AC input has failed operate in running (backup) mode
        else NextState = CHARGING;
        // If AC input is good revert to charging mode
    }
    else
    {
        __NOP();
        NextState = FAULT;
    }
}

```

#### Code Listing 4 Main.c

```

        if (Shutdown == FALSE) State = NextState;
        else State = FAULT;

// FOR DEBUG ONLY!
#ifdef FORCERUN
    State = RUNNING;
#else
#ifdef FORCECHG
    State = CHARGING;
#endif
#endif

        break;
    /*
----- NEXT STATE -----
    */
    case CHARGING:

        if ((Mode == BACKUP) || Starting)
            // Execute this code when AC power is restored for switch back to AC sequence
            {
                // Insert re-start timer here!
                if (RestartTimer >= RESTART) // Wait until restart timer has timed out then...
                    {
#ifdef WAITZC
                        if (!StopPWM) StopPWMreq = SET; // Set flag to request inverter stop
#else
                        StopPWM = SET; // Allow inverter to stop immediately
#endif

                        if (StopPWM)
                            // Stop the inverter if the flag has been set otherwise skip this section
                            {
                                // Stop PWM
                                PWM_CCU8_Stop(&PWM_CCU8_PWMOUT1);
                                PWM_CCU8_Stop(&PWM_CCU8_PWMOUT2);
                                TIMER_Stop(&TIMER_SEGMENT); // Stop PWM updating

                                PWMvalue = 0; // Initialize PWM at zero

                                while (!ACzc);

                                // Wait until AC line voltage is close to the zero crossing

                                if (HCperiod > RELSWDLY)
                                    // Additional delay to get close to zero crossing
                                    {
                                        ACdelay = HCperiod - RELSWDLY;
                                        Delay_ms(ACdelay);
                                    }

#ifdef RELEN
                                        DIGITAL_IO_SetOutputLow(&DIGITAL_IO_RELAY);
#endif
                                    // De-energize relay connect AC output to input - close contacts
#ifdef DEBUGMODE
                                        DIGITAL_IO_SetOutputHigh(&DIGITAL_IO_CHARGELED);
#endif
                                    // Switch on charge LED

                                    PWM_Stop(&PWM_BUZZER); // De-activate buzzer
                                    Delay_ms(RELDLY); // Allow time for relay

                                    PWM_Config(CHARGE); // Set PWM to charge configuration

                                    Delay_ms(CHGDLY);

                                    // Additional delay before starting battery charger
#ifdef PWMEN

```



#### Code Listing 4 Main.c

```

#ifdef CHGEN
                                PWM_Startup();                // Start PWM outputs
#endif
#endif

                                SoftStart = CLEAR;
// Clear soft start so inverter will start up quickly

                                TIMER_Start(&TIMER_SEGMENT); // Start PWM updating

                                Mode = CHARGE;                // Set to charging mode
                                StopPWM = CLEAR;             // Clear the inverter stop flag
                                Starting = CLEAR;            // Clear the starting flag
                                }
                                // End of section
                                }
                                }

// Run this code one every milli-second
if (Timeout_1ms && (Mode == CHARGE))
{
    Timeout_1ms = CLEAR;
    // Here add the charger control loop - update modulation index

    if ((Vbat < VBATOFF) || (Vbat > VBATMAX)) PWMvalue = 0;
    // Stop charging if battery voltage is out of range
    else
    {
        if (Vbat < VBATMIN)
        {
            if (Ichg < ICHGFAST && PWMvalue < PWMMAXCH) PWMvalue++;
            else if (Ichg > ICHGFAST + ICHGTOL && PWMvalue > PWMMIN) PWMvalue--;
        }
        else
        {
            if (Ichg < ICHGSLOW && PWMvalue < PWMMAXCH) PWMvalue++;
            else if (Ichg > ICHGSLOW + ICHGTOL && PWMvalue > PWMMIN) PWMvalue--;
        }
    }
}

if (Shutdown == FALSE) State = MONITOR;
else State = FAULT;

break;

/*
----- NEXT STATE -----
*/

case RUNNING:

#ifdef DEBUGMODE
                                DIGITAL_IO_SetOutputHigh(&DIGITAL_IO_CHARGELED); // Switch on charge LED
#endif

RestartTimer = 0;                // Clear the restart timer
if ((Mode == CHARGE) || Starting)
// Execute this code once when entering backup/running operation
{
    Starting = CLEAR;
    // Clear starting flag so this section is only executed once
    TIMER_Stop(&TIMER_SEGMENT); // Stop PWM updating

    // Stop PWM
    PWM_CCU8_Stop(&PWM_CCU8_PWMOUT1);
    PWM_CCU8_Stop(&PWM_CCU8_PWMOUT2);

    DIGITAL_IO_SetOutputHigh(&DIGITAL_IO_RELAY);
}

```

#### Code Listing 4 Main.c

```

// Energize relay to disconnect AC output from input - open contacts

#ifdef DEBUGMODE
    DIGITAL_IO_SetOutputLow(&DIGITAL_IO_CHARGELED);    // Switch off charge LED
#endif

#ifdef BUZZER
    PWM_Start(&PWM_BUZZER);                            // Activate buzzer
#endif

    PWMcounter = 0;                                    // Start a new line half cycle
    if (!SoftStart) Mindex = M_INITIAL;                // Skip soft start if flag is not set
    Delay_ms(RELDLY);                                  // Allow time for relay

    PWM_Config(BACKUP);                                // Set PWM to backup configuration

#ifdef PWMEN
#ifdef INVEN
    PWM_Startup();                                    // Start PWM outputs
#endif
#endif

#ifdef DEBUGMODE
    DIGITAL_IO_SetOutputLow(&DIGITAL_IO_CHARGELED);    // Switch off charge LED
#endif

    Mode = BACKUP;
    TIMER_Start(&TIMER_SEGMENT);                      // Start PWM updating
    __NOP();
}

#ifdef BATOK
    if ((Vbat < VBATMIN) || (Vbat > VBATMAX))          // Shut off if battery out of range
    {
        Vbat_debug = Vbat;
        BatOK = FALSE;
        StartTimer = 0;
    }
    if (Vbat > VBATMIN + VBATHYS && Vbat < VBATMAX - VBATHYS && StartTimer == STARTDLY) BatOK =
TRUE;
    if (!BatOK) Mindex = 0;
#endif

#ifdef OVINDICATE
    if (Vout > 0) DIGITAL_IO_SetOutputHigh(&DIGITAL_IO_CHARGELED);
    // Switch off charge LED
    else DIGITAL_IO_SetOutputLow(&DIGITAL_IO_CHARGELED);
    // Switch off charge LED
#endif

    if (Shutdown == FALSE) State = MONITOR;
    else State = FAULT;

    break;
/*
----- NEXT STATE -----
*/
case FAULT:
    // Stop PWM

```

#### Code Listing 4 Main.c

```

PWM_CCU8_Stop(&PWM_CCU8_PWMOUT1);
PWM_CCU8_Stop(&PWM_CCU8_PWMOUT2);

DIGITAL_IO_SetOutputLow(&DIGITAL_IO_RELAY); // De-energize relay connect AC output to input
#ifdef DEBUGMODE
//Charge LED will flash in time with the buzzer
DIGITAL_IO_SetOutputHigh(&DIGITAL_IO_CHARGELED); // Switch on charge LED
#endif
#ifdef BUZZER
PWM_Start(&PWM_BUZZER); // Activate buzzer
#endif
BeepTimer = BEEPTIME;
while (BeepTimer > 0)
{
    while (!Timeout_100ms); // Wait 100ms
    Timeout_100ms = CLEAR; // Clear timeout flag
    BeepTimer--; // Count down by one
}
#ifdef DEBUGMODE
DIGITAL_IO_SetOutputLow(&DIGITAL_IO_CHARGELED); // Switch on charge LED
#endif
PWM_Stop(&PWM_BUZZER); // De-activate buzzer
BeepTimer = BEEPTIME;
while (BeepTimer > 0)
{
    while (!Timeout_100ms); // Wait 100ms
    Timeout_100ms = CLEAR; // Clear timeout flag
    BeepTimer--; // Count down by one
}
// Will remain in fault mode forever until unit powered down and back on again
break;
}
}
}

```

## 12 References

- [1] Infineon Technologies AG: *XMC1300 AB-Step, XMC1000 family*
- [2] International Rectifier: *AN-941 – Paralleling power MOSFETs*
- [3] Grant, Duncan: *AN-967A – Using HEXFET III in PWM inverters for motor drives and UPS systems*; International Rectifier
- [4] Infineon Technologies AG: *Linear mode operation and safe operating diagram of power MOSFETs*
- [5] Infineon Technologies AG: *MOSFET selection for low-voltage UPS*

## 13 Revision history

Document version	Date of release	Description of changes
1.0	August 27, 2019	Initial release
1.1	March 3, 2020	Firmware updated with improved battery voltage sensing, minor corrections.
1.2	October 8, 2020	Corrected board dimensions in mm, updated main board to revision E2.
2.0	January 10, 2023	Firmware updated to V1.0 with some improvements and added comments. Flow charts updated. Updated U1 and U2 to 2EDL8124GXUMA1 to replace 2EDL8114GXUMA1 PCB solder resist changed to blue. Some minor corrections to the text.

**Trademarks**

All referenced product or service names and trademarks are the property of their respective owners.

**Edition 2023-01-10**

**Published by**

**Infineon Technologies AG**  
**81726 Munich, Germany**

**© 2023 Infineon Technologies AG.**  
**All Rights Reserved.**

**Do you have a question about this document?**

**Email:** [erratum@infineon.com](mailto:erratum@infineon.com)

**Document reference**  
**AN\_1910\_PL15\_1910\_001345**

**IMPORTANT NOTICE**

The information contained in this application note is given as a hint for the implementation of the product only and shall in no event be regarded as a description or warranty of a certain functionality, condition or quality of the product. Before implementation of the product, the recipient of this application note must verify any function and other technical information given herein in the real application. Infineon Technologies hereby disclaims any and all warranties and liabilities of any kind (including without limitation warranties of non-infringement of intellectual property rights of any third party) with respect to any and all information given in this application note.

The data contained in this document is exclusively intended for technically trained staff. It is the responsibility of customer's technical departments to evaluate the suitability of the product for the intended application and the completeness of the product information given in this document with respect to such application.

For further information on the product, technology, delivery terms and conditions and prices please contact your nearest Infineon Technologies office ([www.infineon.com](http://www.infineon.com)).

**WARNINGS**

Due to technical requirements products may contain dangerous substances. For information on the types in question please contact your nearest Infineon Technologies office.

Except as otherwise explicitly approved by Infineon Technologies in a written document signed by authorized representatives of Infineon Technologies, Infineon Technologies' products may not be used in any applications where a failure of the product or any consequences of the use thereof can reasonably be expected to result in personal injury.