

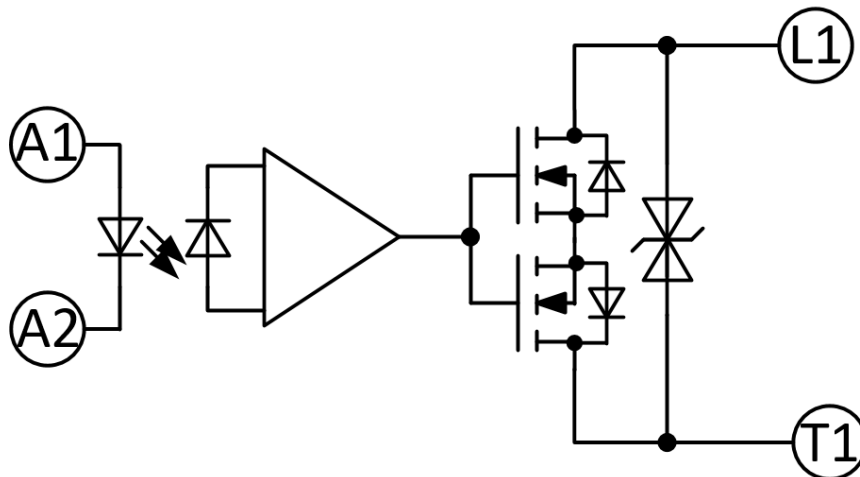
Solution brief

Semiconductor contactor 1-phase

DEMO_COOLMOS_SSR_250V_Gen2

Recent advancements in superjunction FET technologies enable the implementation of low-cost, low $R_{DS(on)}$, high-voltage MOSFETs. With the introduction of the CoolMOS™ S7 static switching products, circuit designers now have the essential power elements to implement highly reliable, feature-rich and unprecedentedly compact solid-state relays (SSR) at a highly competitive price.

Typical application circuit



Key features

Design and replace legacy electromechanical relays with Infineon's Super Solid-State Relay solutions (S4)

- > Best-in-industry SJ technology enables low- and high power relays in compact form factor (23 mm DIN-rail housing)
- > Up to 32 A / 250 VAC / DC, no voltage de-rating for DC operation
- > Significantly reduced power dissipation compared to traditional SSRs
- > No external supply necessary, simple connection with screw terminals
- > Reinforced isolation between control and power side
- > Safe, robust and reliable operation

General data	
Function	Single phase semiconductor contactor
Power dissipation at nominal current	
> AC 20 Arms	5 W
> DC 20 A	5 W
> No load (typical)	< 0.1 W
Isolation voltage	5 kVrms



Mounting data	
Mounting	35 mm DIN rail vertical mounting
IP rating	IP20
Side-by-side mounting on rail	Yes
Height	99 mm
Width	22.5 mm
Depth	89 mm

Control contact data	
Voltage	DC
On-voltage range	15 ... 24 V
Maximum voltage	30 V
Current consumption	< 5 mA
Switch-on delay time	< 5 ms
Switch-off delay time	< 1 ms

Main contact data	
Number of contacts	1 (normally open)
Operating voltage (AC)	
> At 50 Hz	0 ... 250 V
> At 60 Hz	0 ... 250 V
Operating voltage (DC)	0 ... 325 V
Operating frequency (AC)	50 ... 60 Hz
Nominal current	
> AC-7a	15 A
> AC-7b	15 A
> AC-51	15 A
> DC-1	15 A
> DC-13	15 A
De-rating temperature	40° C
Maximum inrush current	200 A
I2t value	Tbd.

Terminal data	
Terminals	
> main terminals	Screw-in contact
> control terminals	Screw-in contact
Wire dimensions	
> main terminals	0.5 ... 2.5 mm ²
> control terminals	0.5 ... 2.5 mm ²
Environmental conditions	
Altitude max.	2000 m
Temperature	-25° C ... +50° C
Humidity	0% ... 95% non-condensing

Terminal connections				
Top	N/C	N/C	N/C	In / L1
	GND / A2	GND / A2	N/C	N/C
Bottom	N/C	N/C	N/C	N/C
	N/C	N/C	N/C	Out / T1



www.infineon.com

Published by
Infineon Technologies AG
Am Campeon 1-15, 85579 Neubiberg
Germany

© 2023 Infineon Technologies AG
All rights reserved.

Document number: B152-11399-V1-7600-EU-EC
Date: 05/2023

Please note!

This Document is for information purposes only and any information given herein shall in no event be regarded as a warranty, guarantee or description of any functionality, conditions and/or quality of our products or any suitability for a particular purpose. With regard to the technical specifications of our products, we kindly ask you to refer to the relevant product data sheets provided by us. Our customers and their technical departments are required to evaluate the suitability of our products for the intended application.

We reserve the right to change this document and/or the information given herein at any time.

Additional information

For further information on technologies, our products, the application of our products, delivery terms and conditions and/or prices, please contact your nearest Infineon Technologies office (www.infineon.com).

Warnings

Due to technical requirements, our products may contain dangerous substances. For information on the types in question, please contact your nearest Infineon Technologies office.

Except as otherwise explicitly approved by us in a written document signed by authorized representatives of Infineon Technologies, our products may not be used in any life-endangering applications, including but not limited to medical, nuclear, military, life-critical or any other applications where a failure of the product or any consequences of the use thereof can result in personal injury.