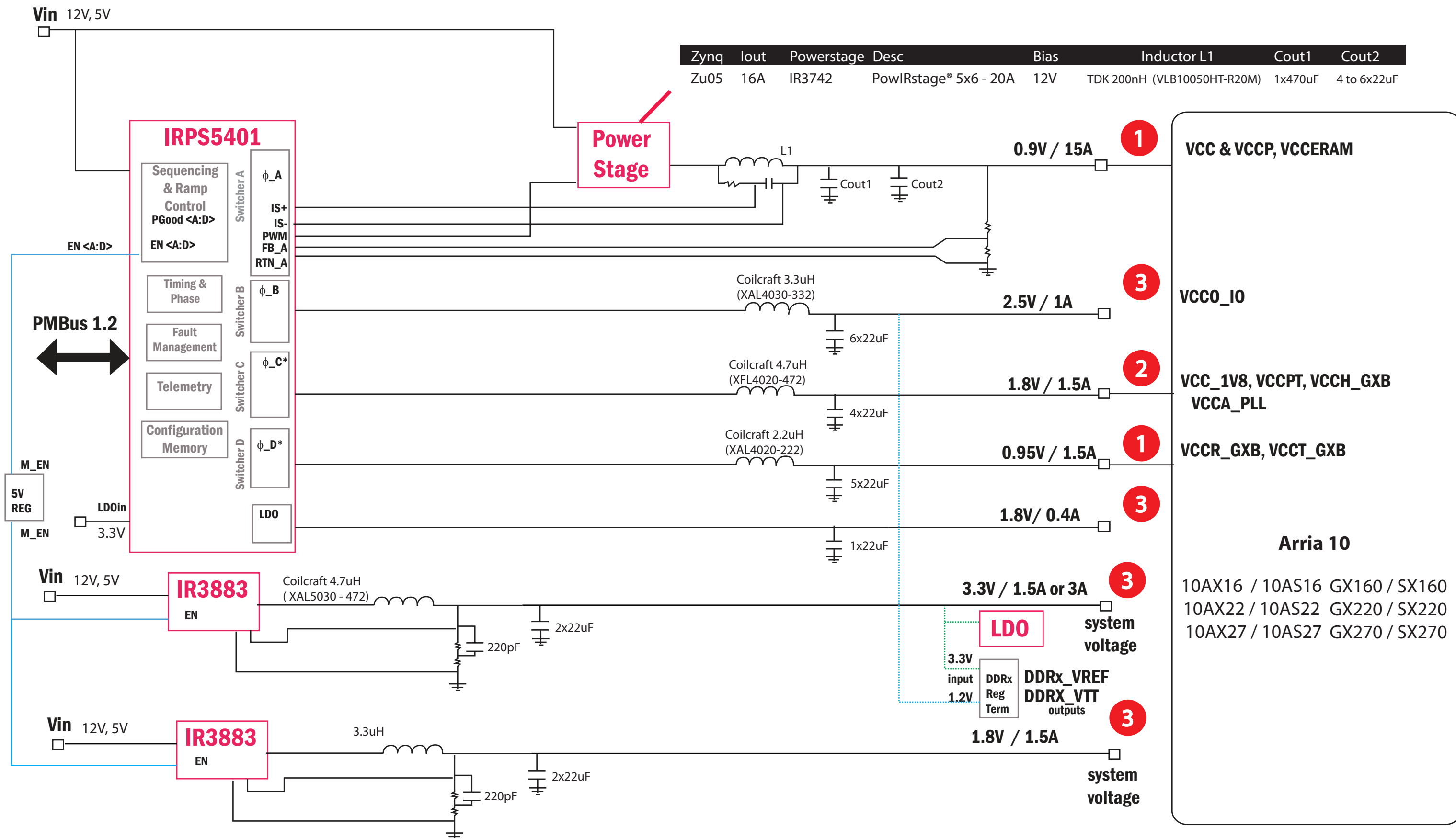


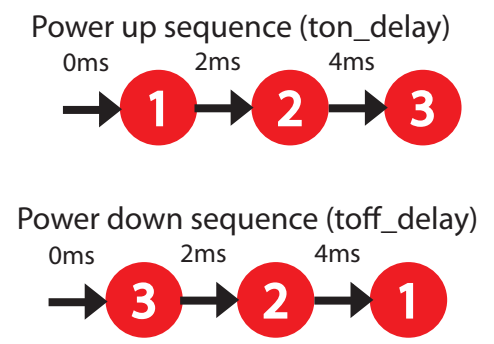
Infinion Power Solution for Altera

Arria 10

10AX16 / 10AS16 GX160 / SX160
 10AX22 / 10AS22 GX220 / SX220
 10AX27 / 10AS27 GX270 / SX270
 20W to 28W



On start up condition of VCC and PVin and an external master enable (M_EN), Power sequencing can be adjusted by ton_delay and toff_delay in 1ms increments from 0ms to 127ms for each regulator.



● Power sequencing initiated by 5V Enable/Disabled to all IRPS5401's
 All regulators and LDO is turned on/off via internal settable timers integrated into the IRPS5401 PMICs.
 No external sequencing components are required.
 Power Off is the reverse order.

PCB space estimates:
 IRPS5401 with Power Stage + L's, C's: 35mm x 40mm
 IRPS5401 without Power Stage + L's, C's: 30mm x 30mm
 IR3883 with L, C's: 15mm x 10mm

