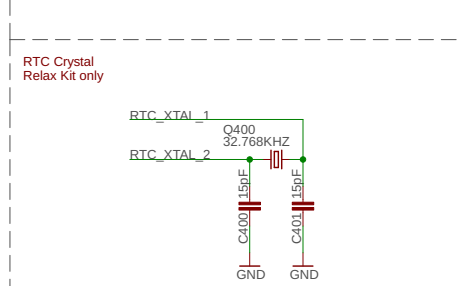
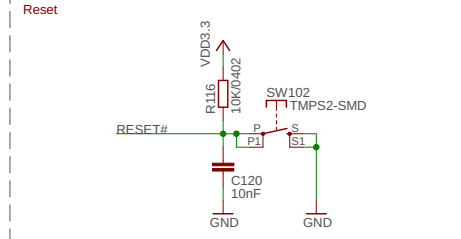
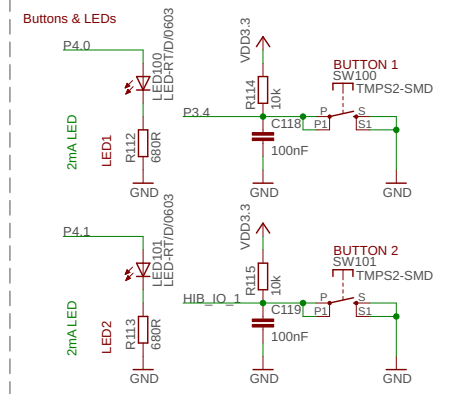
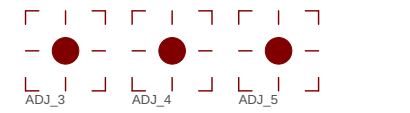
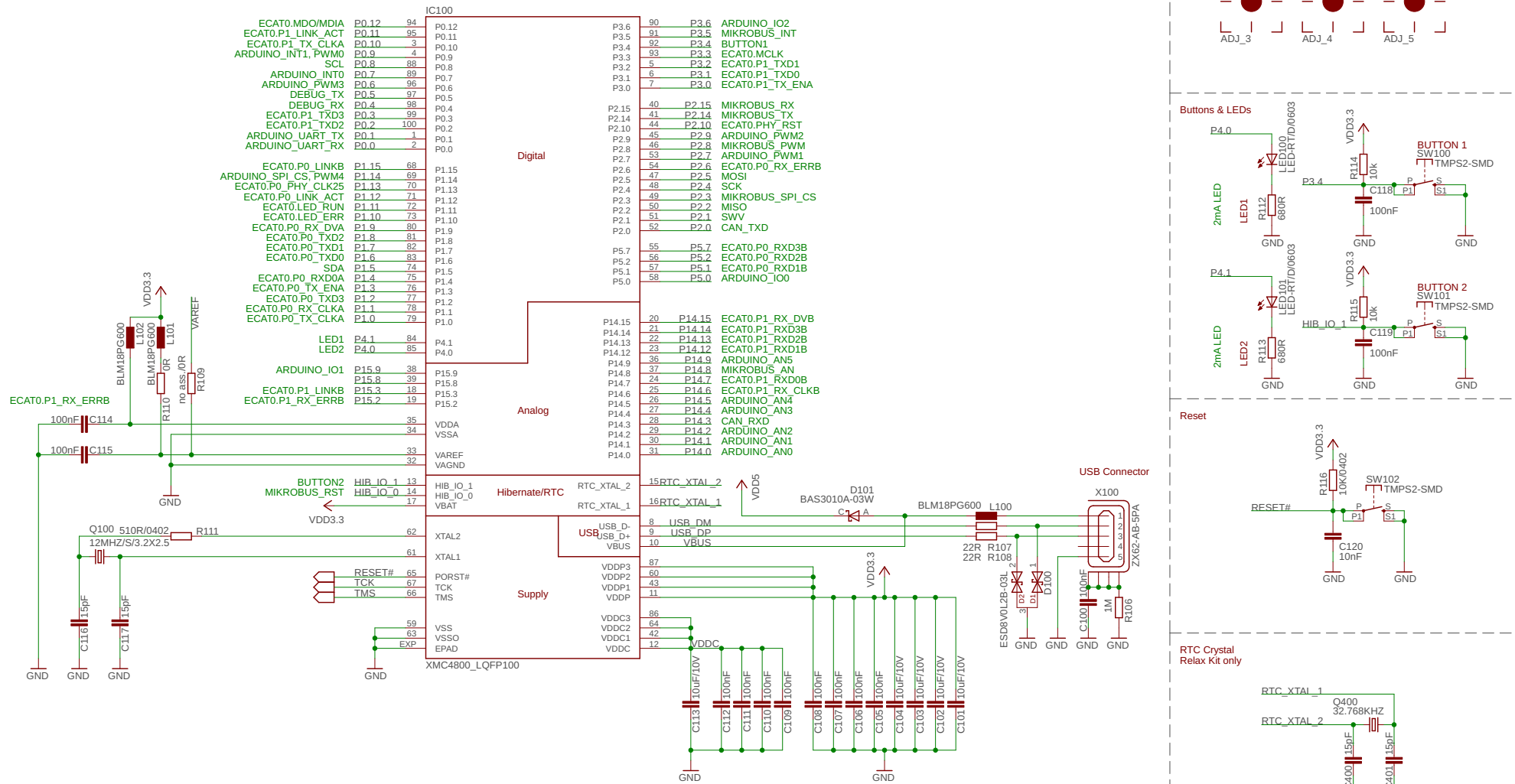


Target Device



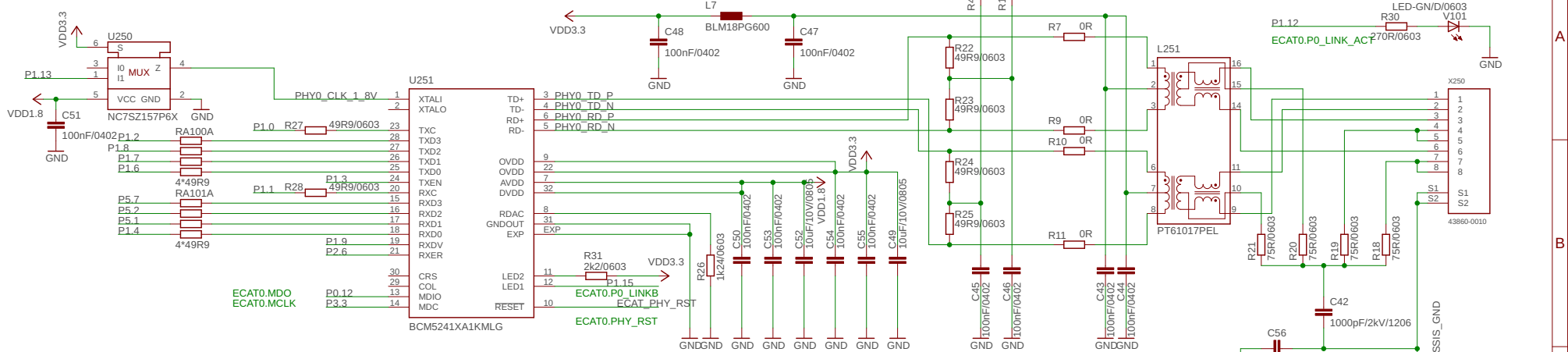
Legal Disclaimer
 The information given in this document shall in no event be regarded as a guarantee of conditions or characteristics. With respect to any examples or hints given herein, any typical values stated herein and/or any information regarding the application of the device, Infineon Technologies hereby disclaims any and all warranties and liabilities of any kind, including without limitation, warranties of non-infringement of intellectual property rights of any third party.

V1 / 01.09.2015

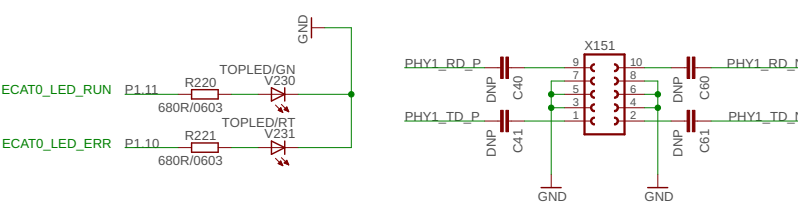
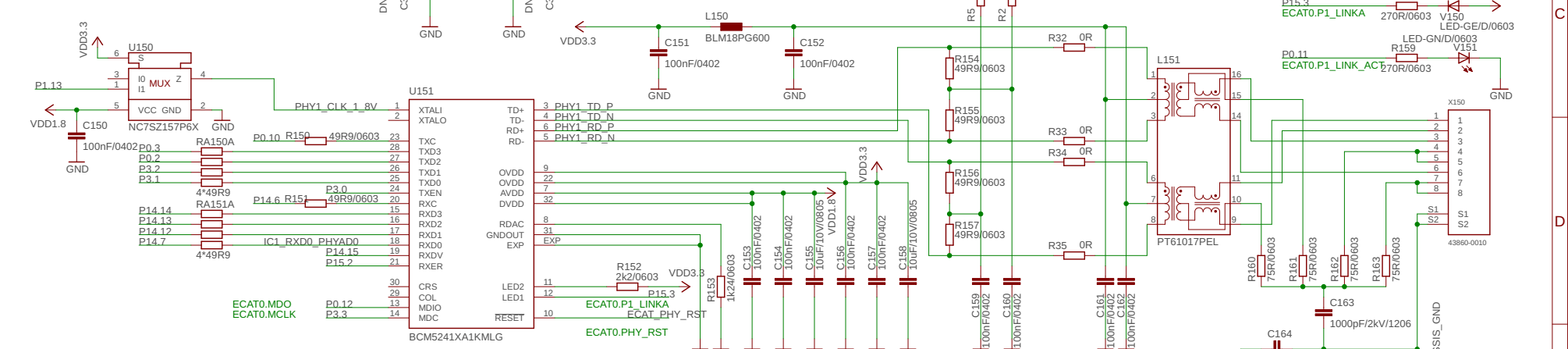
infineon

XMC4700 Relax Kit Series
 XMC4800_IoT_Connectivity_Kit_v1.0
 2/8/2019 1:30 PM
 Sheet: 1/4

ECAT Port0 IN



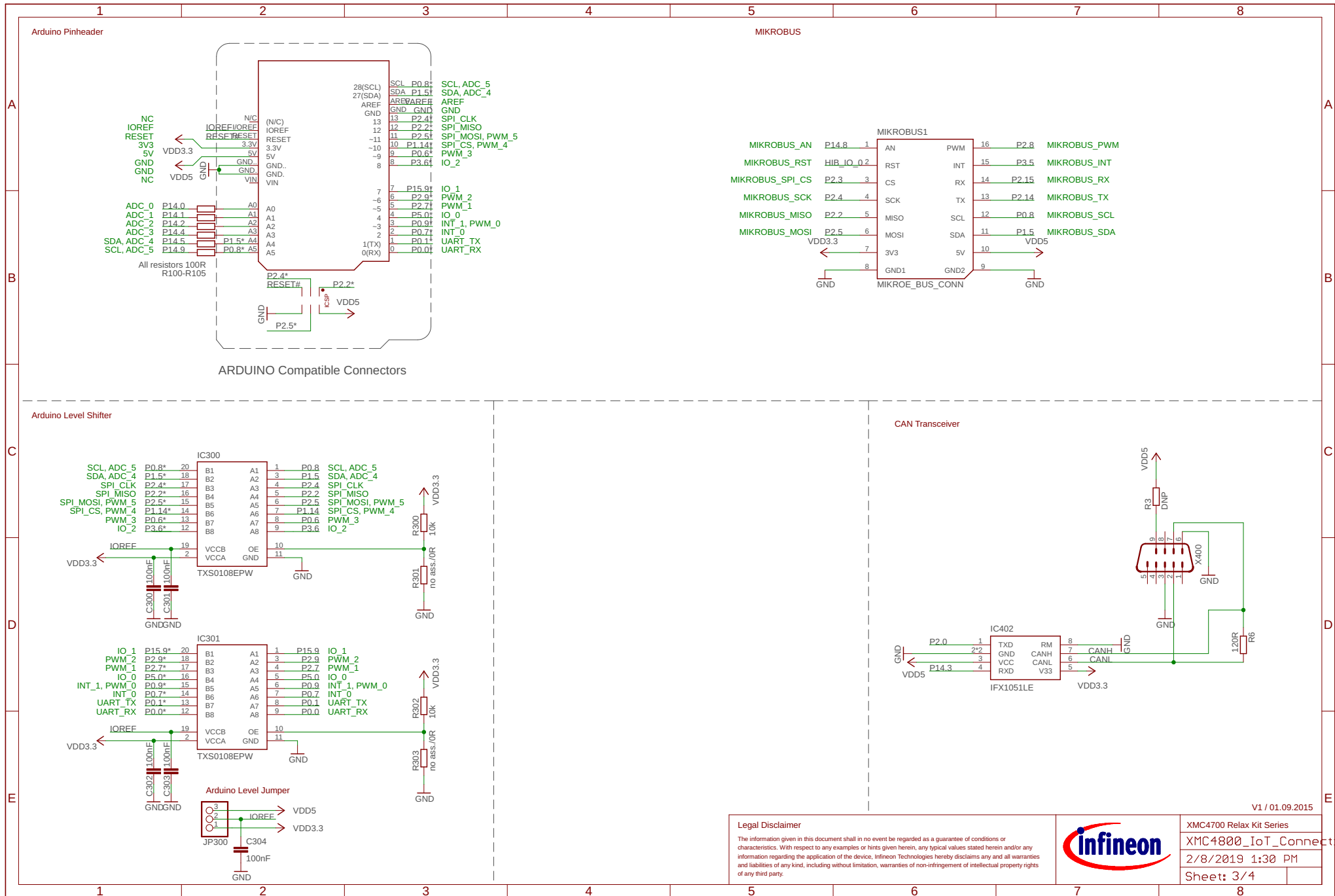
ECAT Port1 OUT



Legal Disclaimer
 The information given in this document shall in no event be regarded as a guarantee of conditions or characteristics. With respect to any examples or hints given herein, any typical values stated herein and/or any information regarding the application of the device, Infineon Technologies hereby disclaims any and all warranties and liabilities of any kind, including without limitation, warranties of non-infringement of intellectual property rights of any third party.



XMC4800_IoT_Connectivity_Kit_v1.0
 2/8/2019 1:30 PM
 Sheet: 2/4



Legal Disclaimer

The information given in this document shall in no event be regarded as a guarantee of conditions or characteristics. With respect to any examples or hints given herein, any typical values stated herein and/or any information regarding the application of the device, Infineon Technologies hereby disclaims any and all warranties and liabilities of any kind, including without limitation, warranties of non-infringement of intellectual property rights of any third party.



V1 / 01.09.2015

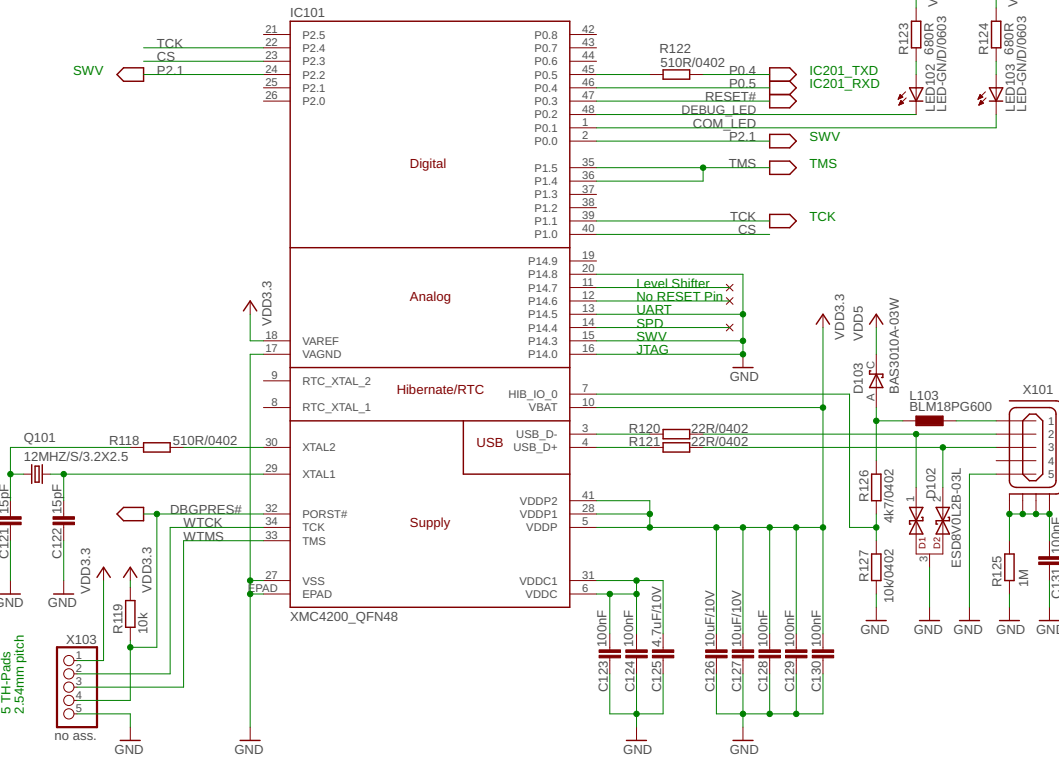
XMC4700 Relax Kit Series

XMC4800_IoT_Connectivity_Kit_v1.0

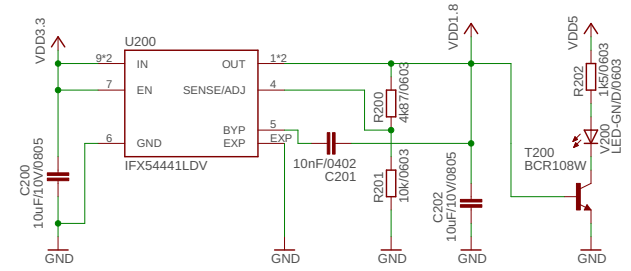
2/8/2019 1:30 PM

Sheet: 3/4

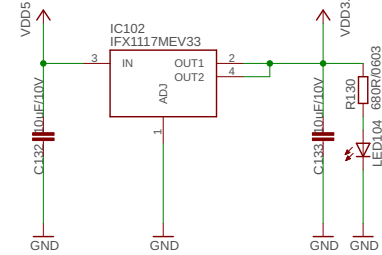
On-board Debugger



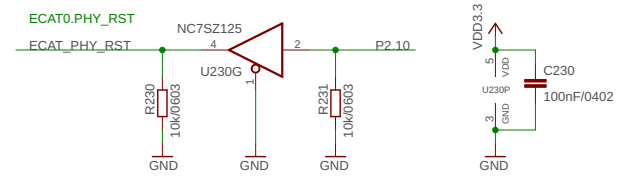
Power 1,8V



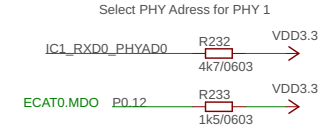
Power Target Device



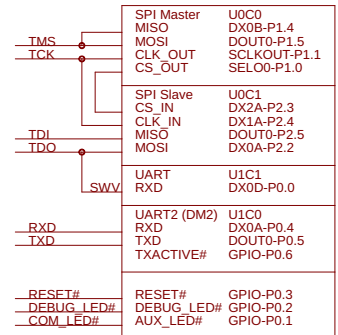
Phy Reset Buffer



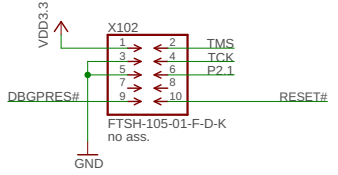
Phy Pull Resistors



On-board Debugger Concept



Cortex Debug



Legal Disclaimer

The information given in this document shall in no event be regarded as a guarantee of conditions or characteristics. With respect to any examples or hints given herein, any typical values stated herein and/or any information regarding the application of the device, Infineon Technologies hereby disclaims any and all warranties and liabilities of any kind, including without limitation, warranties of non-infringement of intellectual property rights of any third party.

